



M.S.KENNEDY CORP.

HIGH SPEED, BUFFER AMPLIFIER AMP

0002

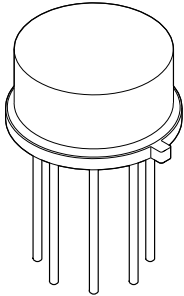
4707 Dey Road Liverpool, N.Y. 13088

(315) 701-6751

MIL-PRF-38534 CERTIFIED

FEATURES:

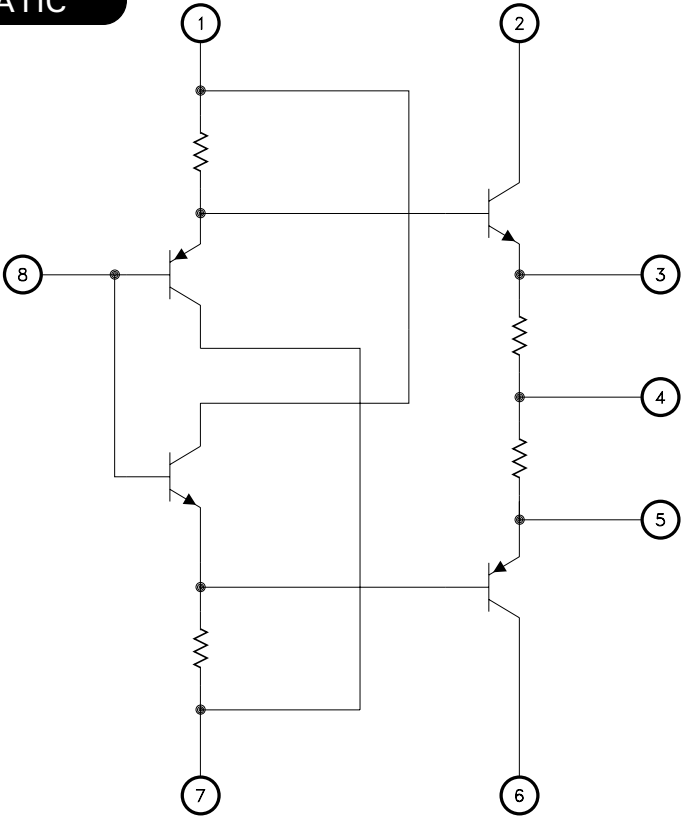
- Industry Wide LH0002 Replacement
- High Input Impedance-180KΩ Min
- Low Output Impedance-10Ω Max
- Low Harmonic Distortion
- DC to 30 MHz Bandwidth
- Slew Rate is Typically 400 V/μS
- Operating Range from ±5V to ±20V
- Available to DSCC SMD5962-7801301XC



DESCRIPTION:

The MSK 0002 is a general purpose current amplifier. It is the industry wide replacement for the LH0002. The device is ideal for use with an operational amplifier in a closed loop configuration to increase current output. The MSK 0002 is designed with a symmetrical output stage that provides low output impedances to both the positive and negative portions of output pulses. The MSK 0002 is packaged in a hermetic 8 lead low profile TO-5 header and is specified over the full military temperature range.

EQUIVALENT SCHEMATIC



TYPICAL APPLICATIONS

- High Speed D/A Conversion
- 30MHz Buffer
- Line Driver
- Precision Current Source

PIN-OUT INFORMATION

1	V1 +	5	E4
2	V2 +	6	V2-
3	E3	7	V1-
4	Output	8	Input

ABSOLUTE MAXIMUM RATINGS

$\pm V_{CC}$	Supply Voltage	$\pm 22V$
V_{IN}	Input Voltage	$\pm 22V$
P_d	Power Dissipation	600mW
T_c	Case Operating Temperature (MSK 0002H)	$-55^{\circ}C$ to $+125^{\circ}C$
	(MSK 0002)	$-40^{\circ}C$ to $+85^{\circ}C$

T_{ST}	Storage Temperature Range	$-65^{\circ}C$ to $+150^{\circ}C$
T_{LD}	Lead Temperature Range (10 Seconds)	$+300^{\circ}C$
T_J	Junction Temperature	$+175^{\circ}C$
θ_{JC}	Thermal Resistance	$40^{\circ}C/W$

ELECTRICAL SPECIFICATIONS

Parameter	Test Conditions ①	Group A Subgroup	MSK 0002H ④			MSK 0002			Units
			Min.	Typ.	Max.	Min.	Typ.	Max.	
Quiescent Current	$V_{IN} = 0V$ $R_S = 10K\Omega$ $R_L = 1.0K\Omega$	1	-	± 6.3	± 10	-	± 6.3	± 10	mA
Input Offset Current	$R_S = 10K\Omega$ $R_L = 1.0K\Omega$	1	-	± 2	± 10	-	± 2	± 10	μA
		2,3	-	± 2	± 10	-	-	-	μA
Input Offset Voltage	$R_S = 300\Omega$ $R_L = 1.0K\Omega$	1	-	± 6	± 30	-	± 6	± 30	mV
		2,3	-	± 10	± 30	-	-	-	mV
Input Impedance ③	$V_{IN} = 1.0V_{RMS}$ $R_S = 200K\Omega$ $R_L = 1K\Omega$ $f = 1.0KHz$	4	180	-	-	180	-	-	$K\Omega$
Output Impedance ③	$V_{IN} = 1.0V_{RMS}$ $R_S = 10K\Omega$ $R_L = 50\Omega$ $f = 1.0KHz$	4	-	-	10	-	-	10	Ω
Output Voltage Swing	$V_{IN} = \pm 12V_p$ $R_L = 1.0K\Omega$ $f = 1.0KHz$	4	± 10	± 11	-	± 10	± 11	-	Vp
	$V_{IN} = \pm 10V_p$ $R_L = 100\Omega$ $+V_{CC} = \pm 15V$ $f = 1.0KHz$	4	± 9.5	-	-	± 9.5	-	-	Vp
Voltage Gain ②	$V_{IN} = 3.0V_{PP}$ $f = 1.0KHz$ $R_S = 10K\Omega$ $R_L = 1.0K\Omega$	4	0.95	0.97	-	0.95	0.97	-	V/V
		5,6	0.95	-	-	-	-	-	V/V
Rise Time	$V_{OUT} = 2.5V_{PP}$ $f = 10KHz$ $R_S = 100\Omega$ $R_L = 50\Omega$	4	-	8	12	-	8	12	nS

NOTES:

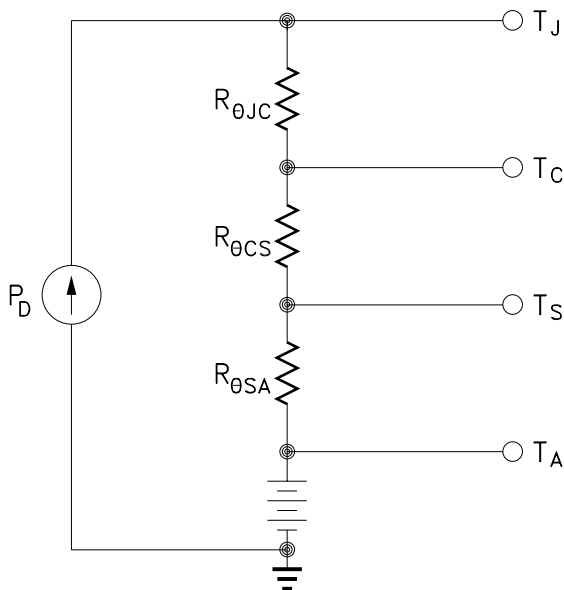
- ① Unless otherwise specified $\pm V_{CC} = \pm 12V_{DC}$
- ② Subgroups 5 & 6 shall be tested as part of device initial characterization and after design and process changes. Parameter shall be guaranteed to the limits specified for subgroups 5 & 6 for all lots not specifically tested.
- ③ Devices shall be capable of meeting the parameter, but need not be tested.
- ④ Subgroup 1,4 $T_A = T_C = +25^{\circ}C$
Subgroup 2,5 $T_A = T_C = +125^{\circ}C$
Subgroup 3,6 $T_A = T_C = -55^{\circ}C$

APPLICATION NOTES

HEAT SINKING

To determine if a heat sink is necessary for your application and if so, what type, refer to the thermal model and governing equation below.

Thermal Model:



Governing Equation:

$$T_J = P_D \times (R_{\theta JC} + R_{\theta CS} + R_{\theta SA}) + T_A$$

Where

T_J = Junction Temperature

P_D = Total Power Dissipation

$R_{\theta JC}$ = Junction to Case Thermal Resistance

$R_{\theta CS}$ = Heat Sink to Ambient Thermal Resistance

T_C = Case Temperature

T_A = Ambient Temperature

T_S = Sink Temperature

Example:

This example demonstrates a worst case analysis for the buffer output stage. This occurs when the output voltage is 1/2 the power supply voltage. Under this condition, maximum power transfer occurs and the output is under maximum stress.

Conditions:

$$V_{CC} = \pm 12VDC$$

$$V_o = \pm 6Vp \text{ Sine Wave, Freq.} = 1KHz$$

$$R_L = 100\Omega$$

For a worst case analysis we will treat the $\pm 6Vp$ sine wave as an 6 VDC output voltage.

1.) Find Driver Power Dissipation

$$\begin{aligned} PD &= (V_{CC} - V_o) (V_o / R_L) \\ &= (12V - 6V) (6V / 100\Omega) \\ &= 360mW \end{aligned}$$

2.) For conservative design, set $T_J = +125^\circ C$ Max.

3.) For this example, worst case $T_A = +80^\circ C$

4.) $R_{\theta JC} = 40^\circ C/W$ from MSK 0002H Data Sheet

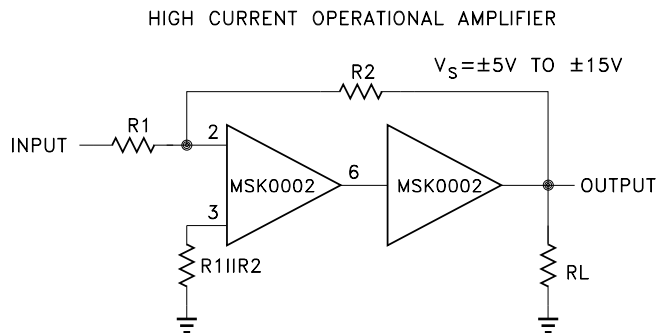
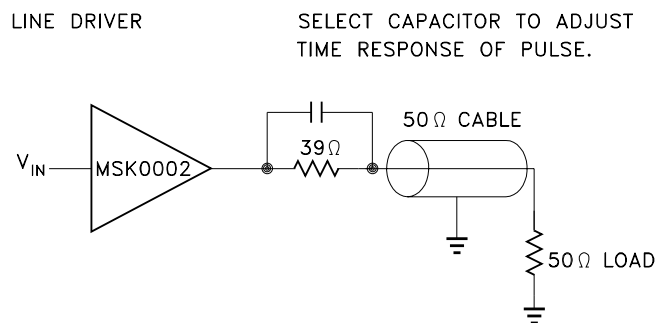
5.) $R_{\theta CS} = 0.15^\circ C/W$ for most thermal greases

6.) Rearrange governing equation to solve for $R_{\theta SA}$

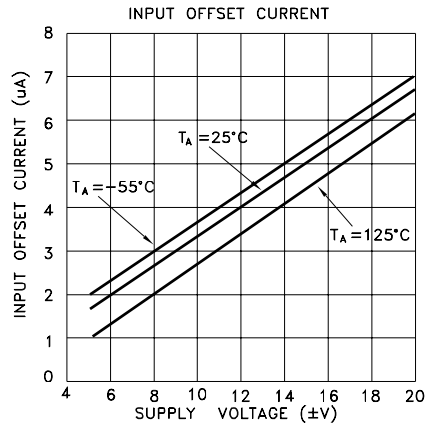
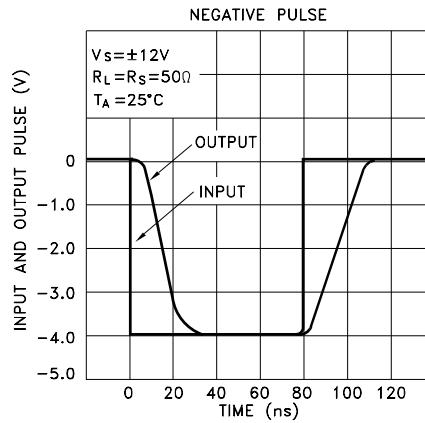
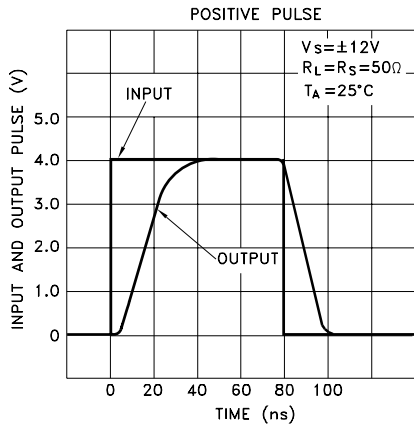
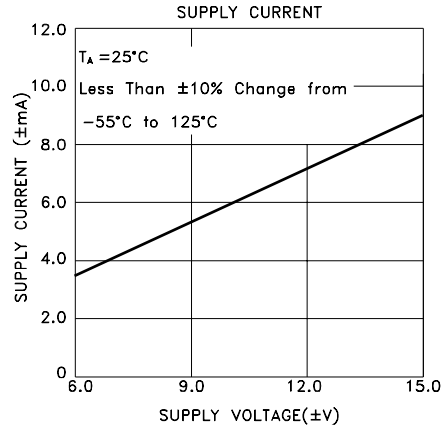
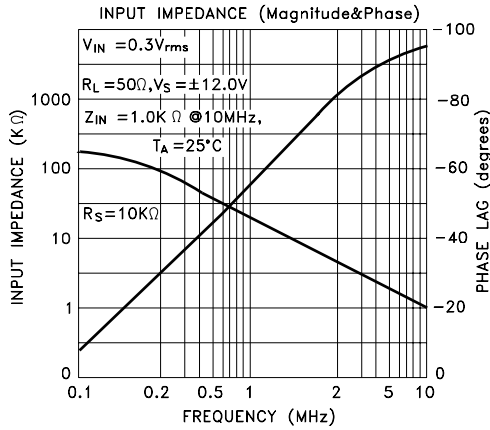
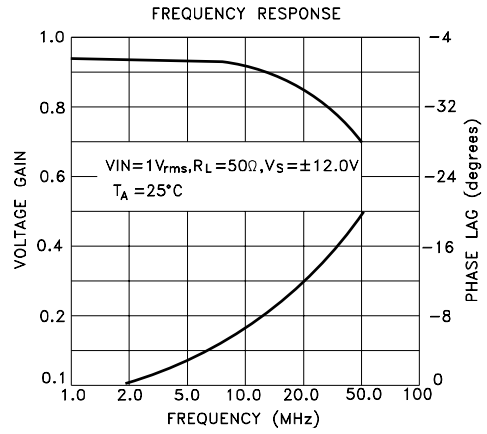
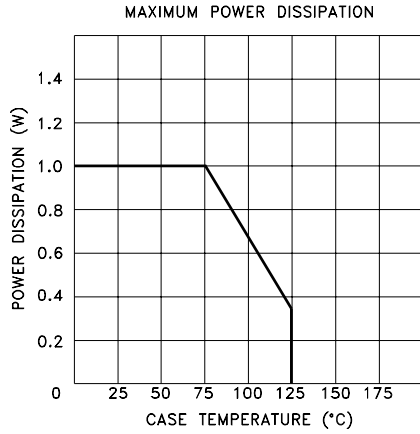
$$\begin{aligned} R_{\theta SA} &= ((T_J - T_A) / P_D) - (R_{\theta JC}) - (R_{\theta CS}) \\ &= ((125^\circ C - 80^\circ C) / 0.36W) - 40^\circ C/W - 0.15^\circ C/W \\ &= 125 - 40.15 \\ &= 84.9^\circ C/W \end{aligned}$$

This heat sink in this example must have a thermal resistance of no more than $84.9^\circ C/W$ to maintain a junction temperature of no more than $+125^\circ C$.

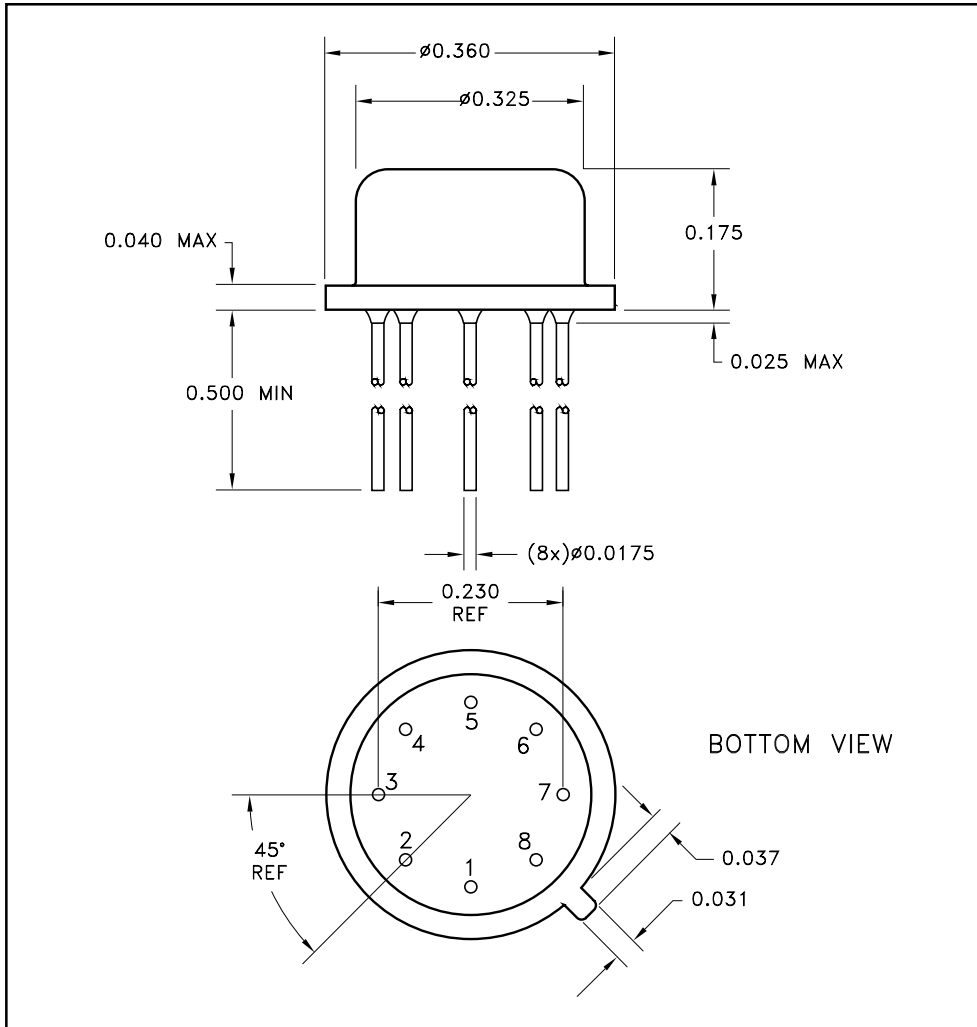
Typical Applications:



TYPICAL PERFORMANCE CURVES



MECHANICAL SPECIFICATIONS



ALL DIMENSIONS ARE ± 0.010 INCHES UNLESS OTHERWISE LABELED

ORDERING INFORMATION

Part Number	Screening Level
MSK0002	Industrial
MSK0002H	Military-Mil-PRF-38534
7801-301XC	DSCC-SMD

M.S. Kennedy Corp.
 4707 Dey Road, Liverpool, New York 13088
 Phone (315) 701-6751
 FAX (315) 701-6752
 www.mskennedy.com

The information contained herein is believed to be accurate at the time of printing. MSK reserves the right to make changes to its products or specifications without notice, however, and assumes no liability for the use of its products.