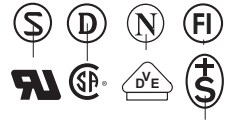




GESERIES

HIGH PERFORMANCE IEC CONNECTOR FILTERS



INTRODUCTIONS

1. A high performance general purpose filter with an IEC connector providing effective EMI suppression.
2. Bleeder resistor can be added for "G3E", "W3E", "G3S" & "G3C" types with suffix "-R" on part numbers.
3. Safety Approval: EG3H, EW3V: UL, CSA, VDE & SEV
EG3V & EG3Q: UL, CSA & VDE
HG3J: UL, CSA, VDE & SEMKO
20GE: UL, CSA & VDE
4. With optional Y-Cap 3300pF.

COMPONENTS

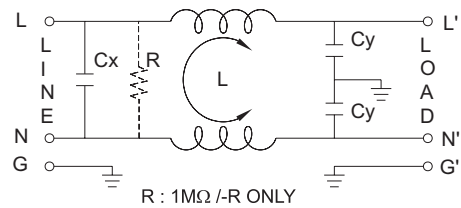
PART NO.	Cx (uF)	L (mH)	Cy (pF)	R (Ω)
01GEEG3E/W3E/-R	0.1	6.5	2200	1M
01GEEG3H/G3V/W3V		3	3300	-
01GEEG3S/-R		10.5	-	1M
03GEEG3E/W3E/W3ES/-R		2.5	2200	1M
*03GEEW3ES/-R				
03GEEG3H/G3V/W3V		4	3300	-
03GEEG3S/-R				
*03GEEG3Q/W3Q/-R		2.4	2200	1M
03GEEW3J				
03GEHG3J		0.8	3300	-
06GEEG3E/W3E/W3ES/-R				
06GEEG3H/G3V/W3V		1.05	-	1M
06GEEG3S/-R				
**06GEEG3Q/W3Q/-R		0.4	2200	1M
**10GEEG3C/W3C/-R				
10GEEG3E/W3E/W3ES/-R		0.3	3300	-
10GEEG3S/-R				
*10GEEG3Q/W3Q/-R		0.2	-	1M
**15GEEG3E/W3E/-R				
***20GEEG3E/W3E/-R		0.3	-	-

• UL, CSA approved to 4A 115/250V
 •• UL, CSA approved to 8A 115/250V
 ••• VDE approved to 8A/250V
 * UL, CSA approved to 13A 115/250V
 ** VDE approved to 10A/250V
 *** VDE approved to 16A/250V

SPECIFICATIONS

1. Maximum leakage current each line-to-ground @ 115VAC 60Hz: 0.25mA @ 250VAC 50Hz: 0.45mA
2. Hipot rating (one minute) line-to-ground: 2250VDC line-to-line: 1450VDC
3. Operating frequency: 50/60Hz
4. Rated voltage: 115/250VAC

ELECTRICAL SCHEMATIC

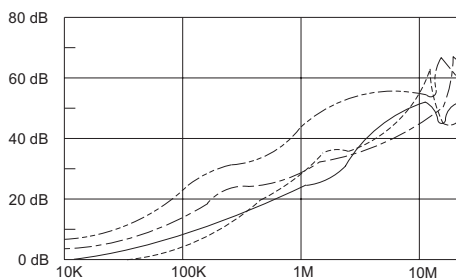


MINIMUM INSERTION LOSS IN dB

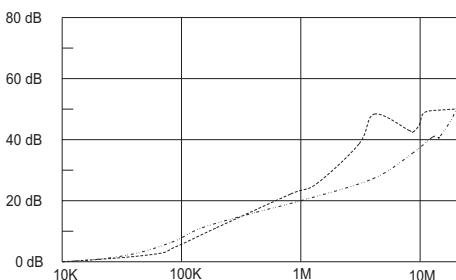
CURRENT RATING	COMMON MODE (L-G) IN 50 OHM SYSTEM					
	FREQUENCY-MHz					
	.15	.50	1.0	5.0	10	30
1A(E)(S)	28	35	38	38	40	40
1A(H)	26	36	44	54	55	55
1A(G3V)	20	30	35	40	40	40
1A(W3V)	24	35	42	50	55	55
3A(E)(S)(Q)	20	25	30	38	40	40
3A(H)	24	30	38	50	55	55
3A(G3J,W3J)	20	25	30	38	40	40
3A(G3V)(W3V)	20	29	36	48	46	50
6A(E)(S)	12	18	24	35	40	40
6A(H)	15	25	32	45	50	50
6A(Q)	15	20	20	35	40	55
6A(G3V)(W3V)	14	23	30	42	35	40
10A(E)(S)	4	10	13	28	35	40
10A(C)	10	15	15	25	30	35
10A(Q)	10	12	15	30	32	45
15A(E)	4	10	13	28	35	40
20A	8	10	15	25	30	35

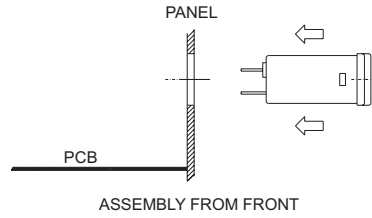
INSERTION LOSS (TYPICAL)

03GEEG3E ----- COMMON MODE ----- DIFF. MODE
 06GEEG3E ----- COMMON MODE ----- DIFF. MODE



20GEEG3E ----- COMMON MODE ----- DIFF. MODE

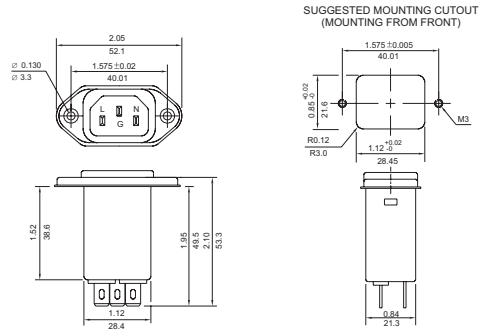




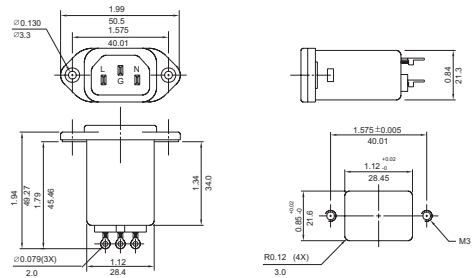
MECHANICAL CONSTRUCTION



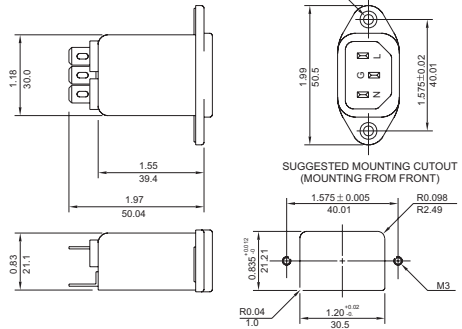
EG3E, EG3Q (Optional soldering lug or wire type)



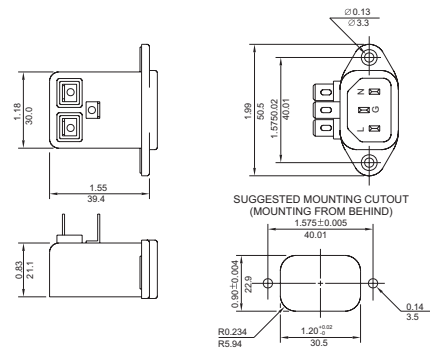
EG3S



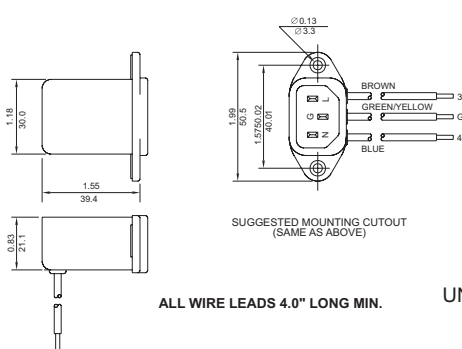
EG3H



EG3V

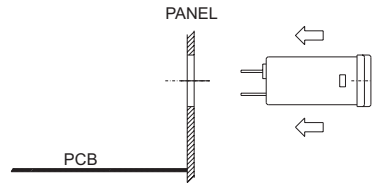


EW3V



ALL WIRE LEADS 4.0" LONG MIN.

UNIT: INCH/mm

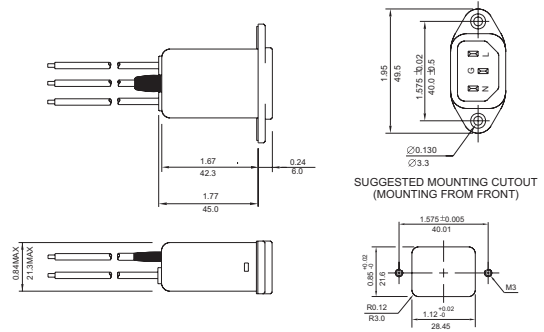


ASSEMBLY FROM FRONT

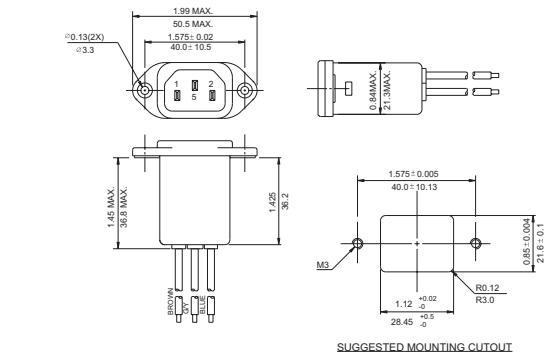
MECHANICAL CONSTRUCTION



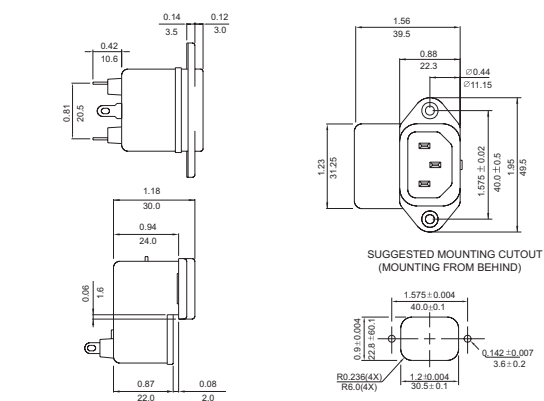
EW3J



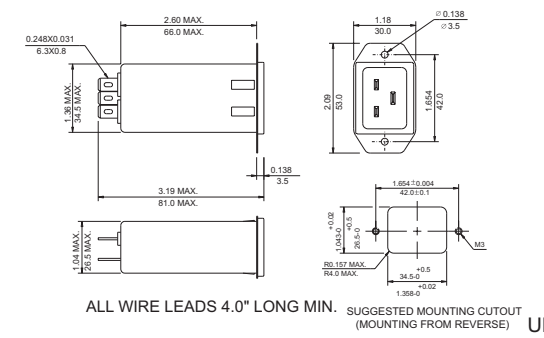
EW3ES



HG3J



20GEEG3E (Optional wire type)



ALL WIRE LEADS 4.0" LONG MIN. SUGGESTED MOUNTING CUTOUT (MOUNTING FROM REVERSE) UNIT: INCH/mm