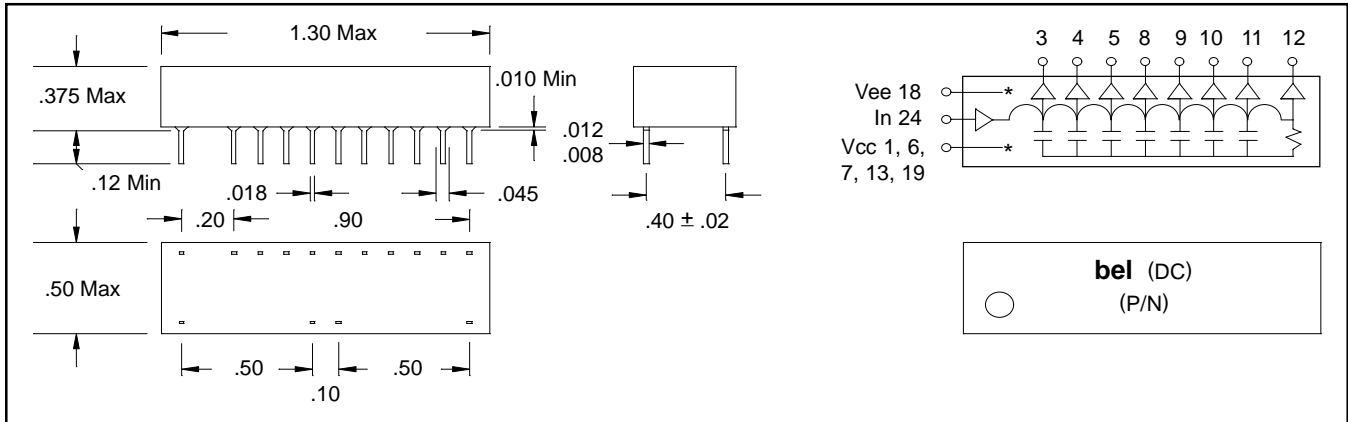


# 8 TAP LEADING EDGE CONTROL 100K ECL DELAY MODULES

Cat 42-R0



### Part Numbers

Thru-Hole	Total Delay	Delay per Tap	Rise Time
0461-0016-01	16 ns	2.0 ns	3 ns
0461-0020-01	20 ns	2.5 ns	3 ns
0461-0024-01	24 ns	3.0 ns	3 ns
0461-0028-01	28 ns	3.5 ns	3 ns
0461-0032-01	32 ns	4.0 ns	3 ns
0461-0036-01	36 ns	4.5 ns	3 ns
0461-0040-01	40 ns	5.0 ns	3 ns
0461-0044-01	44 ns	5.5 ns	3 ns
0461-0048-01	48 ns	6.0 ns	3 ns
0461-0052-01	52 ns	6.5 ns	3 ns
0461-0056-01	56 ns	7.0 ns	3 ns
0461-0060-01	60 ns	7.5 ns	4 ns
0461-0064-01	64 ns	8.0 ns	4 ns
0461-0068-01	68 ns	8.5 ns	4 ns
0461-0072-01	72 ns	9.0 ns	4 ns
0461-0076-01	76 ns	9.5 ns	4 ns
0461-0080-01	80 ns	10.0 ns	4 ns

### Test Conditions @ 25°C

Ein	Pulse Voltage, Logic 1	-0.9 Volts
	Pulse Voltage, Logic 0	-1.7 Volts
Trin	Rise Time	1.0 ns (20%-80%)
PW	Pulse Width	Total Delay + 10 ns
PP	Pulse Period	4 x Pulse Width
Vee	Supply Voltage	-5.0 Volts

### Electrical Characteristics

	Min.	Max.	Units
Vee	-4.2	-5.7	V
Vih	-1165	-870	mV
Vil	-1830	-1475	mV
Voh	-1025	-870	mV
Vol	-1830	-1620	mV
lih		240	ua
lil	0.50		ua
Ta	0°	70°	C
PW	40		%
d		50	%
Tc	300 PPM/°C Typ.		

### Tolerances

Input to Taps  $\pm 1$  ns or 4% , Whichever is Greater  
Delays measured @ 50% levels on Leading Edge only  
with outputs terminated in 50 ohm  $\pm 1\%$  to -2 V  
Rise Times measured from 20% to 80% levels

### Notes

Epoxy encapsulated  
Compatible with 100K ECL circuits  
Performance warranty is limited to specified parameters listed

### Drive Capabilities

Fan-out capabilities 70 ECL Loads Max.

### Other Delays and Tolerances Available Consult Sales

Specifications subject to change without notice.

#### Corporate Office

Bel Fuse Inc.  
198 Van Vorst Street, Jersey City, NJ 07302-4496  
Tel: 201-432-0463  
Fax: 201-432-9542  
E-Mail: BelFuse@belfuse.com  
Internet: http://www.belfuse.com

#### Far East Office

Bel Fuse Ltd.  
8F/8 Luk Hop Street  
San Po Kong  
Kowloon, Hong Kong  
Tel: 852-2328-5515  
Fax: 852-2352-3706

#### European Office

Bel Fuse Europe Ltd.  
Preston Technology Management Centre  
Marsh Lane, Preston PR1 8UD  
Lancashire, U.K.  
Tel: 44-1772-556601  
Fax: 44-1772-888366