

**Smartphone Application Quad AFE designed for Infineon's
Octal 10BaseS 8 port Chipset PEB22824-PEB22825**
0803-7700-01

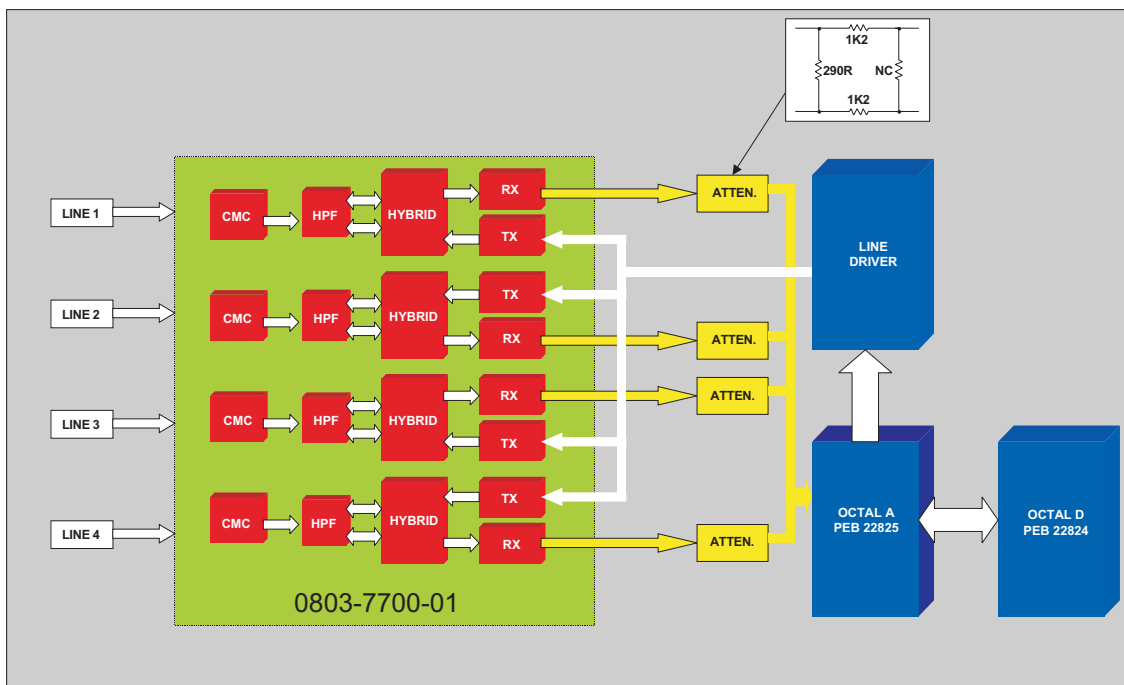
FEATURES

- Transhybrid Loss >15dBmin
- Incorporates xDSL choke >35dBmin
- Miniature footprint for increased Line-card density
- Provides 1500Vrms isolation voltage

ELECTRICAL SPECIFICATIONS@25°C

Description	Passband Freq	Impedance
HPF	900kHz-8MHz	120 ohms
TX LPF	900kHz-3.4MHz	40 ohms
RX BPF	4MHz-8MHz	270 ohms

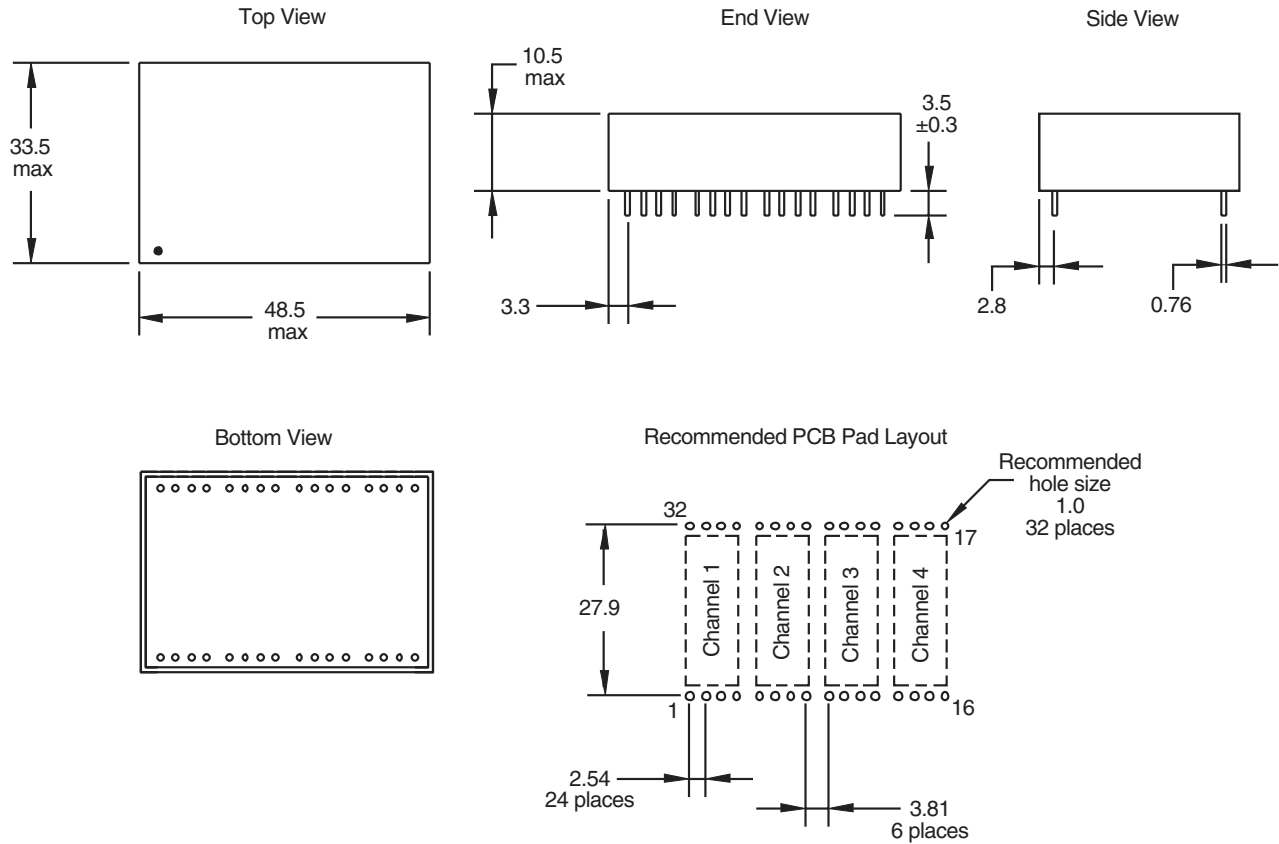
BLOCK DIAGRAM





Smartphone Application Quad AFE designed for Infineon's
 Octal 10BaseS 8 port Chipset PEB22824-PEB22825
0803-7700-01

MECHANICAL



Signal	Channel 1	Channel 2	Channel 3	Channel 4
Line +	Pin 2	Pin 6	Pin 10	Pin 14
Line -	Pin 3	Pin 7	Pin 11	Pin 15
Tx +	Pin 29	Pin 27	Pin 21	Pin 19
Tx -	Pin 30	Pin 28	Pin 22	Pin 20
Rx +	Pin 31	Pin 25	Pin 23	Pin 17
Rx -	Pin 32	Pin 26	Pin 24	Pin 18
N/C	Pin 1, 4	Pin 5, 8	Pin 9, 12	Pin 13, 16

ALL DIMENSIONS IN MM.
 TOLERANCE 0.15MM UNLESS OTHERWISE STATED.

©2003 Bel Fuse Inc. Specifications subject to change without notice. 11.06.03

CORPORATE

Bel Fuse Inc.
 206 Van Vorst Street
 Jersey City, NJ 07302
 Tel 201-432-0463
 Fax 201-432-9542
 www.belfuse.com

FAR EAST

Bel Fuse Ltd.
 8F / 8 Luk Hop Street
 San Po Kong
 Kowloon, Hong Kong
 Tel 852-2328-5515
 Fax 852-2352-3706
 www.belfuse.com

EUROPE

Bel Stewart Connector
 45/46 Riverside
 Medway City Estate
 Rochester, Kent ME2 4DP U.K.
 Tel 44-1634-722890
 Fax 44-1634-716677
 www.belfuse.com