

**VDSL / PSTN CO Splitter**  
**0803-7700-03**

**FEATURES**

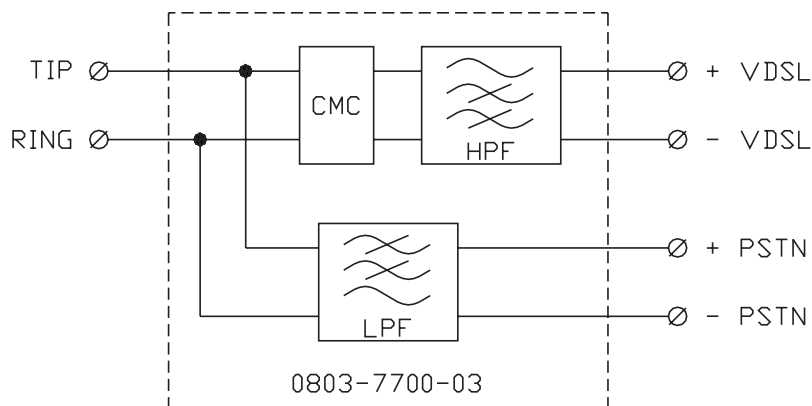
- Compact, single channel LPF (PSTN) and HPF (VDSL) splitter
- Minimum through hole footprint for increased port density
- Complies with ANSI T1.424 Trial Use 600 ohms relevant to low pass function and 100 ohms relevant to high pass function

**ELECTRICAL SPECIFICATIONS@25°C**

LPF			
Item	Name	Specification	Condition
1	DC Resistance	25R max	At the PSTN I/F with Line Shorted
2	Tip > Ring Capacitance	125nF max	2 attached modems overall admittance capacitance
3	Insertion Loss	-1.0 dB max	0.2 to 4 kHz
4	Stop Band Attenuation	-65 dB min	25 kHz to 12 MHz
5	Return Loss	-8 dB min	ERL
		-5 dB min	SRL-L / SRL-H
6	Group Delay	200 uS max	0.2 to 3.2 kHz
		250 uS max	3.2 to 4.0 kHz

HPF			
Item	Name	Specification	Condition
1	Insertion Loss	-0.5 dB max	25 kHz to 12 MHz
2	Return Loss	-12 dB min	25 kHz to 12 MHz
3	Stop Band Attenuation	-65 dB min	0.2 kHz to 4 kHz
4	Group Delay	3.125 us max	25 kHz to 12 MHz

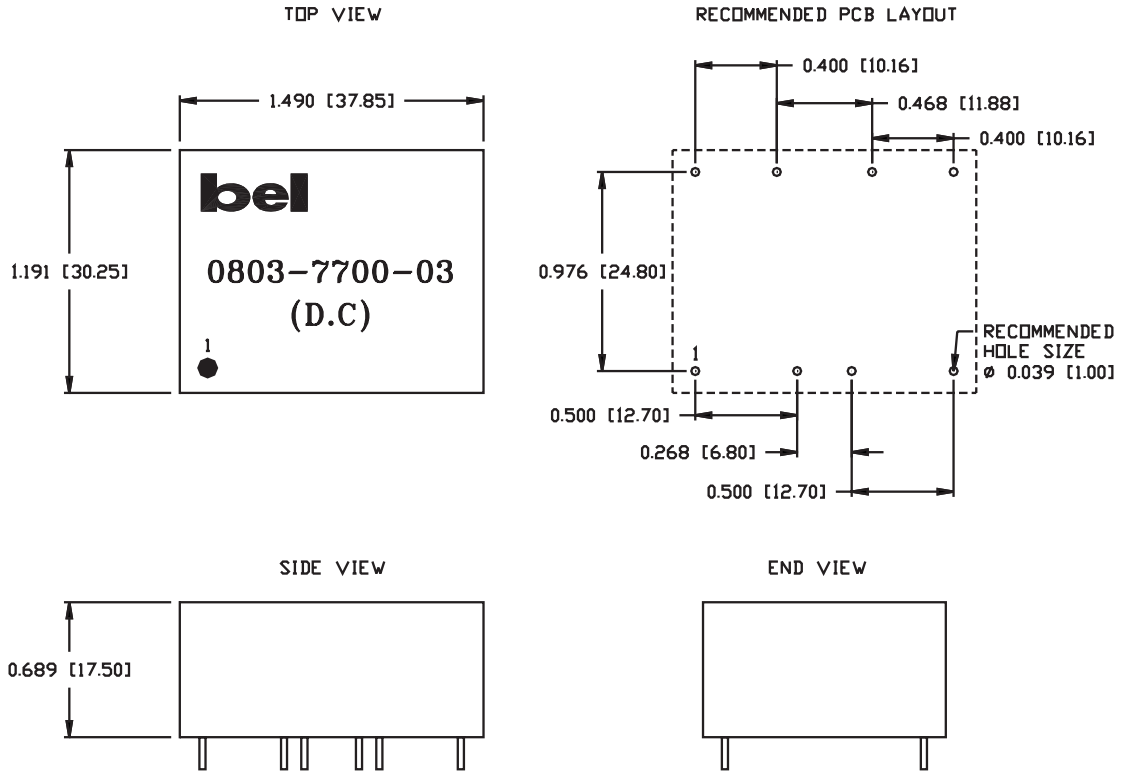
**BLOCK DIAGRAM**





VDSL / PSTN CO Splitter  
0803-7700-03

MECHANICAL



ALL DIMENSIONS IN INCHES [MM].  
TOLERANCE  $\pm 0.002$  [0.05] UNLESS OTHERWISE STATED.

Pin Number	Signal
1	+ Line
2	- Line
3	+ PSTN
4	- PSTN
5	N/C
6	N/C
7	+ VDSL
8	- VDSL

©2004 Bel Fuse Inc. Specifications subject to change without notice. 11.16.04

**CORPORATE**

Bel Fuse Inc.  
206 Van Vorst Street  
Jersey City, NJ 07302  
Tel 201-432-0463  
Fax 201-432-9542  
www.belfuse.com

**FAR EAST**

Bel Fuse Ltd.  
8F / 8 Luk Hop Street  
San Po Kong  
Kowloon, Hong Kong  
Tel 852-2328-5515  
Fax 852-2352-3706  
www.belfuse.com

**EUROPE**

Bel Stewart Connector  
45/46 Riverside  
Medway City Estate  
Rochester, Kent ME2 4DP U.K.  
Tel 44-1634-722890  
Fax 44-1634-716677  
www.belfuse.com