

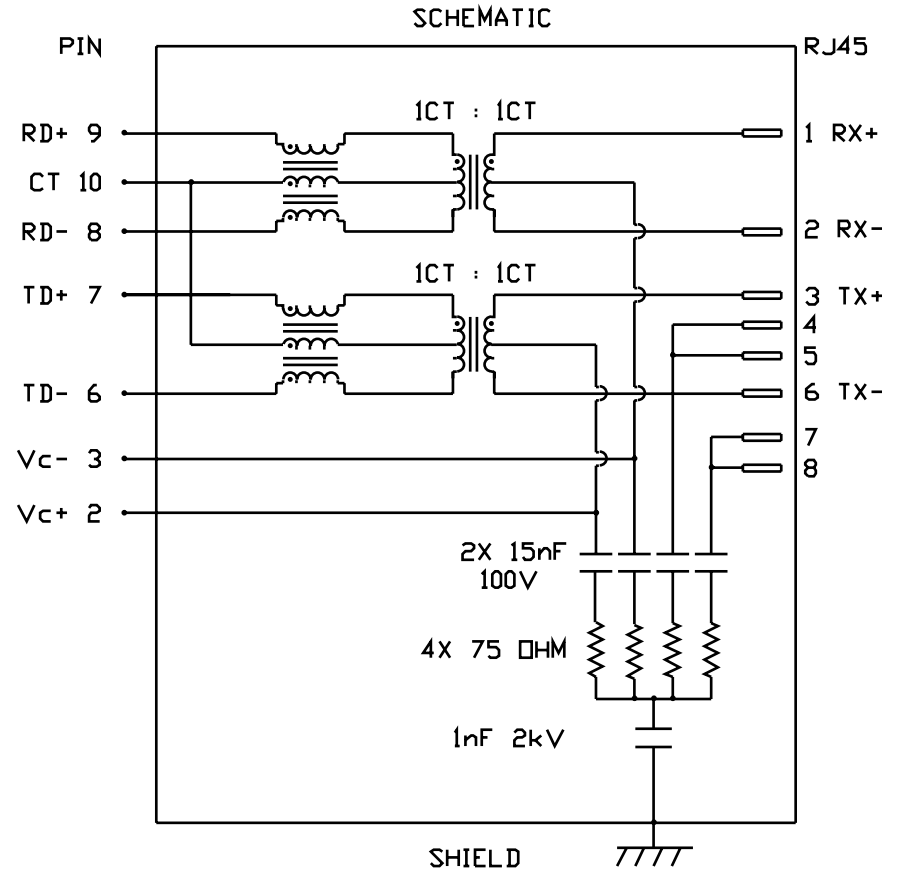
# INTEGRATED CONNECTOR MODULES

0833-2X6R-55-F Power over Ethernet MagJack® 2 x 6



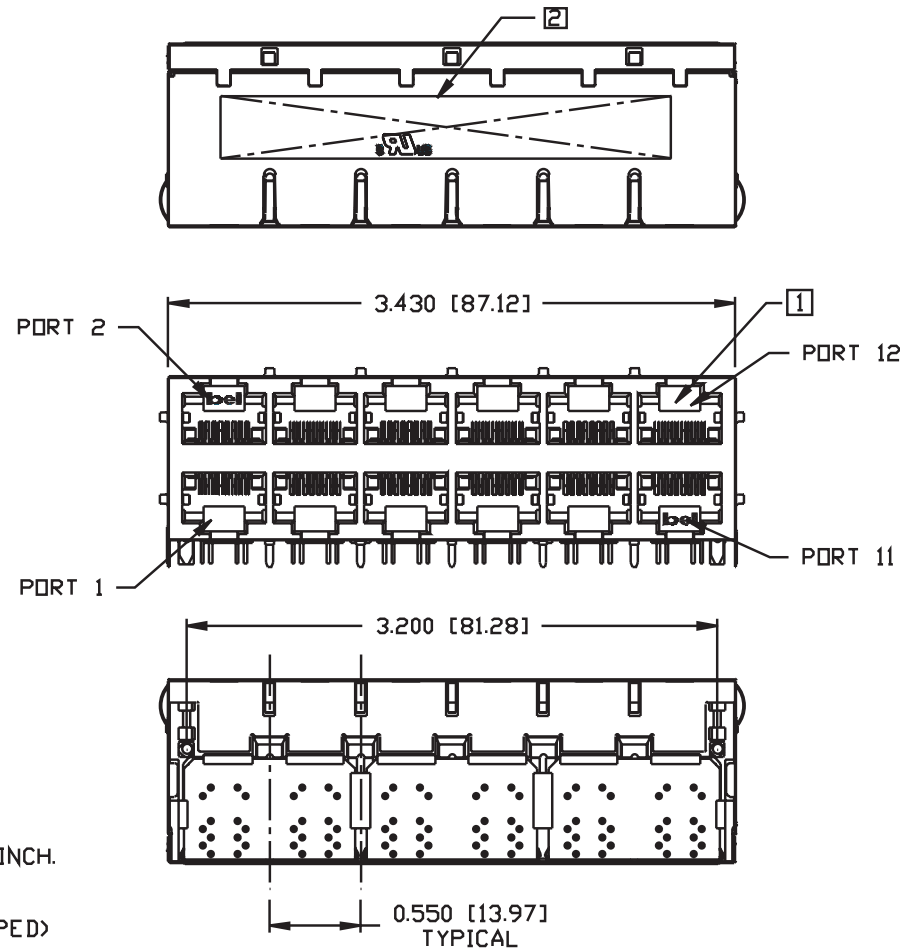
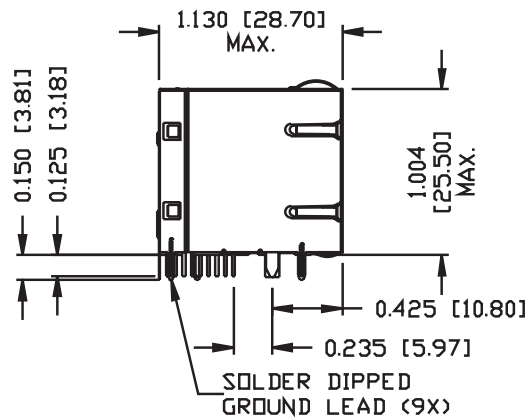
## ELECTRICAL CHARACTERISTICS @ 25°C

TURNS RATIO $\square$ CL @ 0.1V, 100KHz 8mA DC BIAS	1CT : 1CT $\pm$ 2% 350 $\mu$ H MIN.
INSERTION LOSS 100KHz TO 100MHz	-1.5 dB MAX.
RETURN LOSS (MIN.) 2MHz-30MHz 60MHz-80MHz	16 dB MIN. 10 dB MIN.
LEAKAGE INDUCTANCE PRIMARY W/ SECONDARY SHORTED	0.25 $\mu$ H MAX. @ 1MHz
D.C. RESISTANCE (9-8)=(7-6) (RJ1-RJ2)=(RJ3-RJ6)	1.4 $\square$ HM . 1.0 $\square$ HM .
INTERWINDING CAPACITANCE PER CHANNEL (PRI. to SEC.)	40 pF MAX.
XTALK 100KHz TO 100MHz	-30 dB MIN.
HIPOUT	2250 VDC



# INTEGRATED CONNECTOR MODULES

0833-2X6R-55-F Power over Ethernet MagJack® 2 x 6



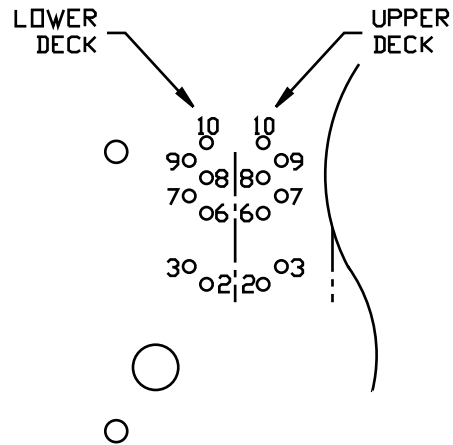
**NOTES:**

PLASTIC HOUSING: THERMOPLASTIC PBT  
 FLAMMABILITY RATING UL 94V-0  
 CONTACT PLATING: 50 MICRO-INCH HARD GOLD PLATING  
 OUTPUT PINS: TIN-COATED COPPER WIRE, DIA 0.018 INCH.  
 SOLDERABILITY: PER MIL STD. 202, METHOD 208.  
 METAL SHIELD: NICKEL PLATED COPPER ALLOY.  
 (ALL GROUND LEADS ARE SOLDER DIPPED)

- [1] JACK CAVITY CONFORMS TO FCC RULES AND REGULATIONS, PART 68 SUBPART F.
- [2] MARK PART WITH MFG LOGO, MFG NAME, PART NUMBER, AND DATE CODE.
- [3] UL RECOGNIZED - FILE #E196366 AND E169987.
- [3] RoHS COMPLIANCE, PER EU DIRECTIVE 2002/95/EC.

# INTEGRATED CONNECTOR MODULES

0833-2X6R-55-F Power over Ethernet MagJack® 2 x 6

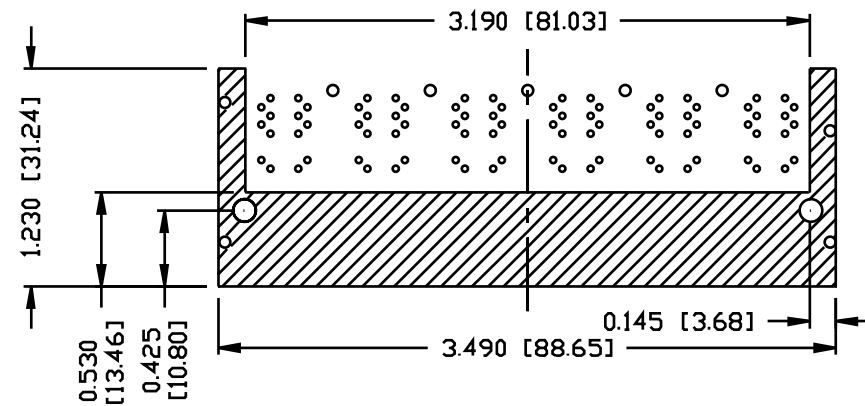
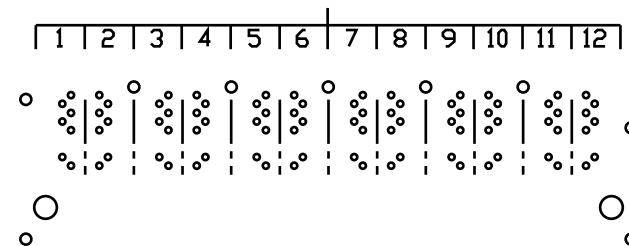


PIN-OUT INFORMATION  
(COMPONENT SIDE VIEW)

10	COMMON CT
9	RD+
8	RD-
7	TD+
6	TD-
5	NO PIN
4	NO PIN
3	Vc-
2	Vc+
1	NO PIN

UNUSED PIN LOCATIONS MUST BE REMOVED TO ENSURE 2KV ISOLATION.

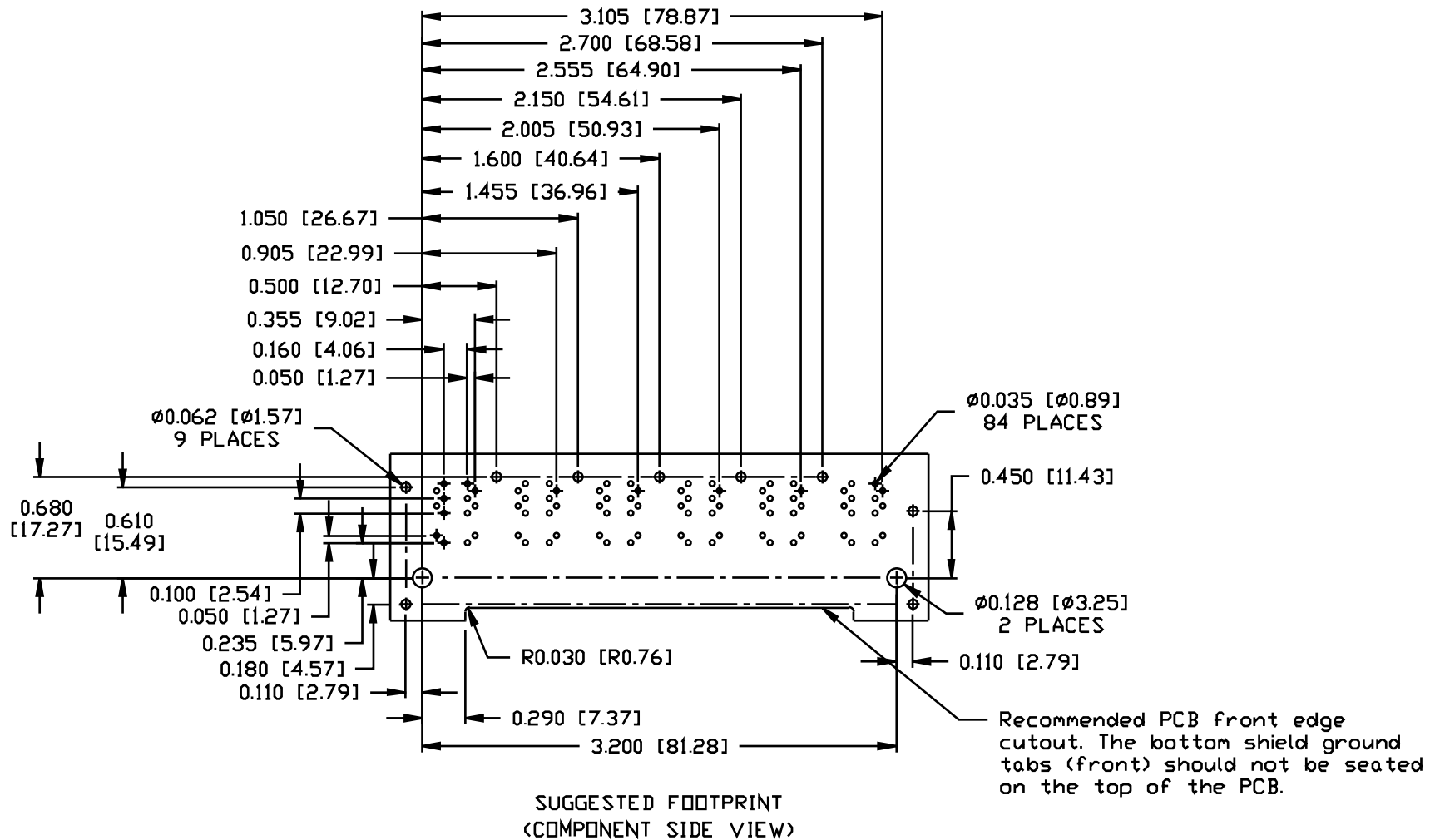
PORT ASSIGNMENT  
(COMPONENT SIDE VIEW)



THE SHADED AREA OF BOTTOM SIDE OF PART MAY BE COVERED BY METAL SHIELD.

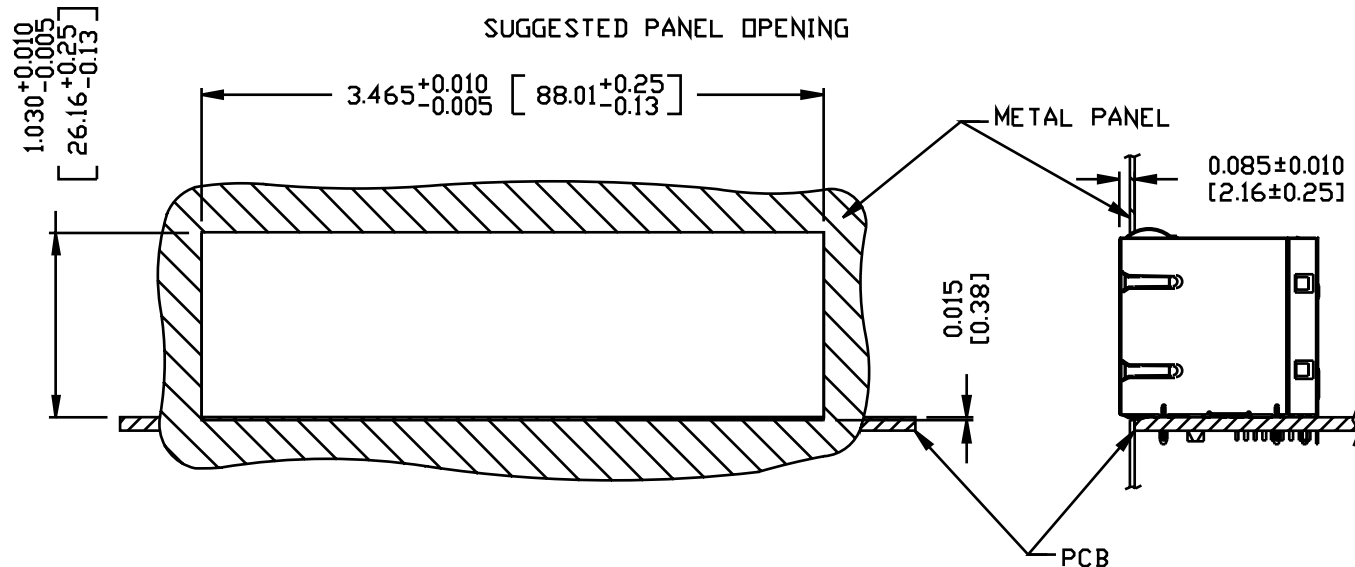
# INTEGRATED CONNECTOR MODULES

0833-2X6R-55-F Power over Ethernet MagJack® 2 x 6



# INTEGRATED CONNECTOR MODULES

0833-2X6R-55-F Power over Ethernet MagJack® 2 x 6



**NOTE:**

THE DISTANCE OF PANEL INSIDE SURFACE RELATIVE TO FRONT SURFACE OF PART IS ONLY A SUGGESTION. IN CASE THIS DISTANCE IS DIFFERENT, THE REQUIRED PANEL OPENING DIMENSIONS CHANGE ACCORDINGLY.

**PACKING INFORMATION**

PACKING TRAY : 0200-9999-A9 (TOP)  
0200-9999-A8 (BOTTOM)

PACKING QUANTITY : 15 PCS FINISHED GOODS PER TRAY  
7 TRAY (105 PCS FINISHED GOODS) PER CARTON BOX

NOTE : CARDBOARDS ARE PLACED BETWEEN LAYERS OF PACKING TRAY INSIDE CARTON BOX  
(INCLUDE THE UPPERMOST AND LOWERMOST TRAY)