



PJD09N03

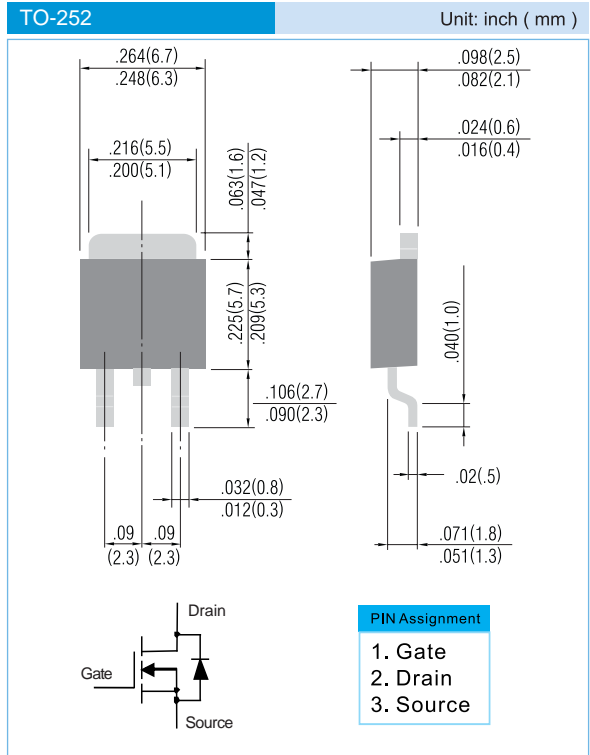
25V N-Channel Enhancement Mode MOSFET

FEATURES

- $R_{DS(ON)}$, V_{GS} @ 10V, I_{DS} @ 30A=9m Ω
- $R_{DS(ON)}$, V_{GS} @ 4.5V, I_{DS} @ 30A=12m Ω
- Advanced trench process technology
- High Density Cell Design For Ultra Low On-Resistance
- Specially Designed for DC/DC Converters and Motor Drivers
- Fully Characterized Avalanche Voltage and Current
- Pb free product : 99% Sn above can meet RoHS environment substance directive request

MECHANICAL DATA

- Case: TO-252 Molded Plastic
- Terminals : Solderable per MIL-STD-202, Method 208
- Marking : 09N03



Maximum RATINGS and Thermal Characteristics ($T_A=25^\circ\text{C}$ unless otherwise noted)

PARAMETER	Symbol	Limit	Units
Drain-Source Voltage	V_{DS}	25	V
Gate-Source Voltage	V_{GS}	± 20	V
Continuous Drain Current	I_D	50	A
Pulsed Drain Current ¹⁾	I_{DM}	240	A
Maximum Power Dissipation	P_D	45 26	W
		$T_A=25^\circ\text{C}$ $T_A=75^\circ\text{C}$	
Operating Junction and Storage Temperature Range	T_J, T_{STG}	-55 to + 150	$^\circ\text{C}$
Avalanche Energy with Single Pulse $I_D=23\text{A}, V_{DD}=25\text{V}, L=0.5\text{mH}$	E_{AS}	130	mJ
Junction-to-Case Thermal Resistance	$R_{\theta JC}$	2.8	$^\circ\text{C/W}$
Junction-to Ambient Thermal Resistance(PCB mounted) ²	$R_{\theta JA}$	50	$^\circ\text{C/W}$

- Note: 1. Maximum DC current limited by the package
2. Surface mounted on FR4 board, $t \leq 10$ sec

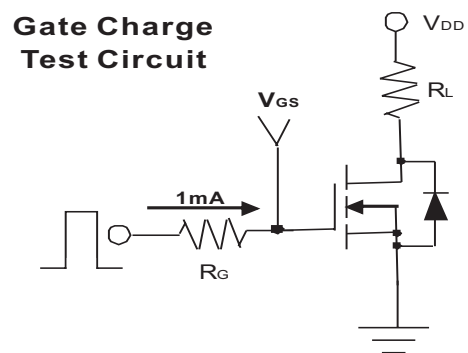
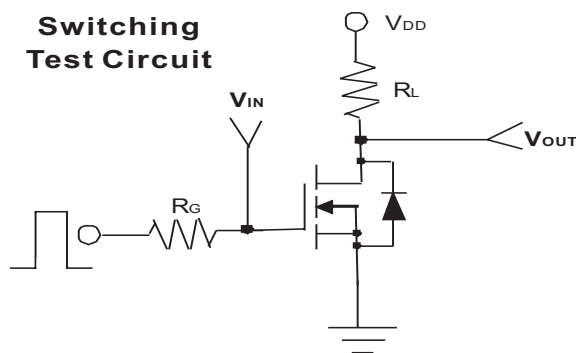
PAN JIT RESERVES THE RIGHT TO IMPROVE PRODUCT DESIGN, FUNCTIONS AND RELIABILITY WITHOUT NOTICE



PJD09N03

ELECTRICAL CHARACTERISTICS

Parameter	Symbol	Test Condition	Min.	Typ.	Max.	Units	
Static							
Drain-Source Breakdown Voltage	BV_{DS}	$V_{GS}=0V, I_D=250\mu A$	25	-	-	V	
Gate Threshold Voltage	$V_{GS(th)}$	$V_{DS}=V_{GS}, I_D=250\mu A$	1	-	3	V	
Drain-Source On-State Resistance	$R_{DS(on)}$	$V_{GS}=4.5V, I_D=30A$	-	9.5	12.0	mΩ	
Drain-Source On-State Resistance	$R_{DS(on)}$	$V_{GS}=10V, I_D=30A$	-	6.5	9.0		
Zero Gate Voltage Drain Current	I_{DSS}	$V_{DS}=25V, V_{GS}=0V$	-	-	1	μA	
Gate Body Leakage	I_{GSS}	$V_{GS}=\pm 20V, V_{DS}=0V$	-	-	±100	nA	
Forward Transconductance	g_{fS}	$V_{DS}=10V, I_D=15A$	25	-	-	S	
Dynamic							
Total Gate Charge	Q_g	$V_{DS}=15V, I_D=15A, V_{GS}=5V$	-	16.0	-	nC	
			-	27.5	-		
			$V_{DS}=15V, I_D=15A, V_{GS}=10V$		-		3.5
Gate-Source Charge	Q_{gs}	$V_{DS}=15V, I_D=15A, V_{GS}=10V$	-	7.2	-	nC	
Gate-Drain Charge	Q_{gd}		-	11.0	14.0		
Turn-On Delay Time	$T_{d(on)}$	$V_{DD}=15V, R_L=15\Omega, I_D=1A, V_{GEN}=10V, R_G=3.6\Omega$	-	35	45	ns	
Turn-On Rise Time	t_{rr}		-	11.2	15.5		
Turn-Off Delay Time	$t_{d(off)}$		-	1250	-		pF
Turn-Off Fall Time	t_f		-	240	-		
Input Capacitance	C_{iss}	$V_{DS}=15V, V_{GS}=0V, f=1.0MHz$	-	185	-		
Output Capacitance	C_{oss}		-	-	-		
Reverse Transfer Capacitance	C_{rss}		-	-	-		
Source-Drain Diode							
Max. Diode Forward Current	I_s	-	-	-	30	A	
Diode Forward Voltage	V_{SD}	$I_s=30A, V_{GS}=0V$	-	0.94	1.2	V	





PJD09N03

Typical Characteristics Curves ($T_J=25^\circ\text{C}$, unless otherwise noted)

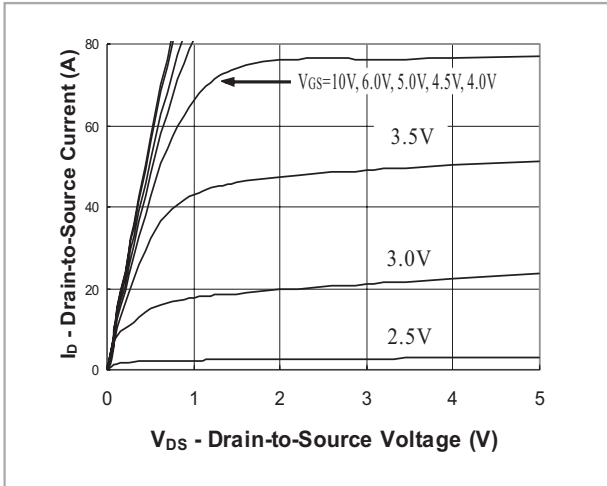


FIG.1- Output Characteristic

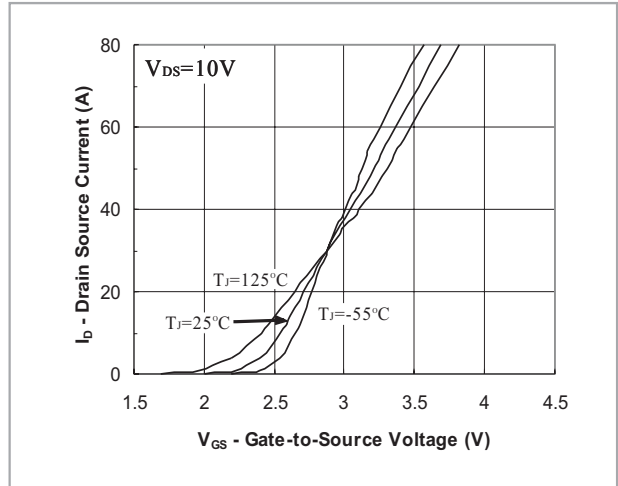


FIG.2- Transfer Characteristic

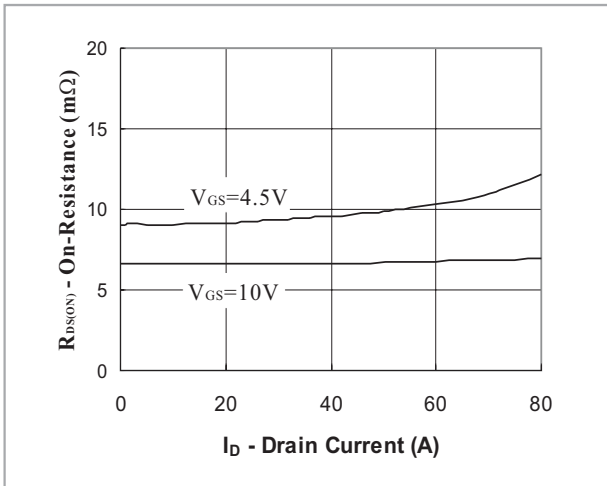


FIG.3- On Resistance vs Drain Current

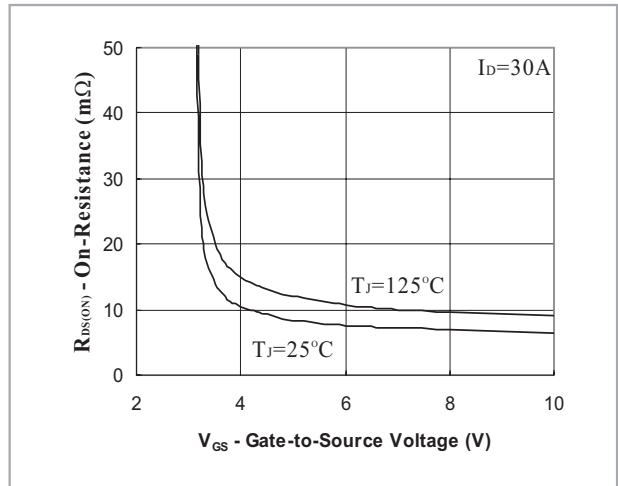


FIG.4- On Resistance vs Gate to Source Voltage

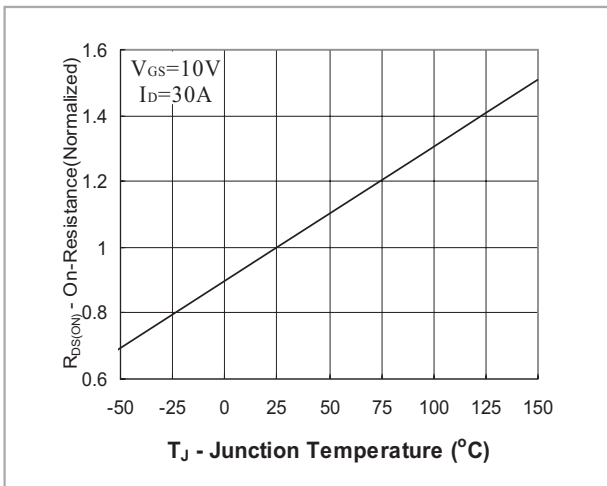


FIG.5- On Resistance vs Junction Temperature



PJD09N03

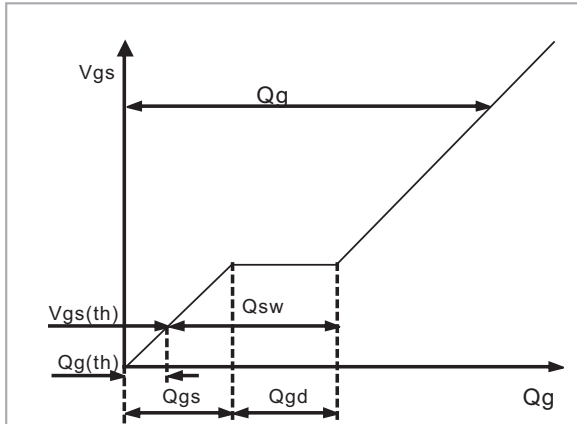


Fig. 6 - Gate Charge Waveform

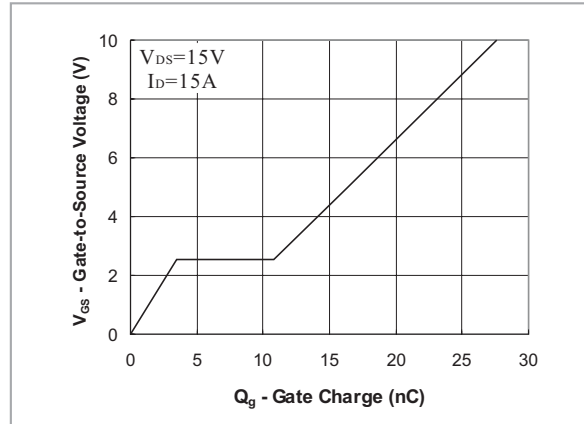


Fig. 7 - Gate Charge

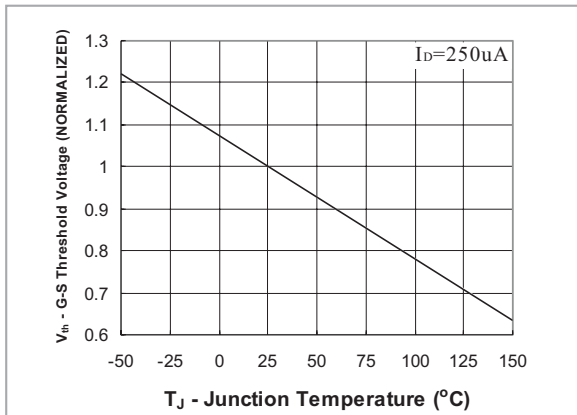


Fig. 8 - Threshold Voltage vs Temperature

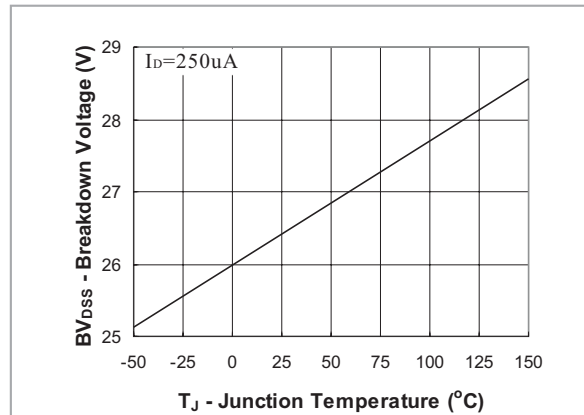


Fig. 9 - Breakdown Voltage vs Junction Temperature

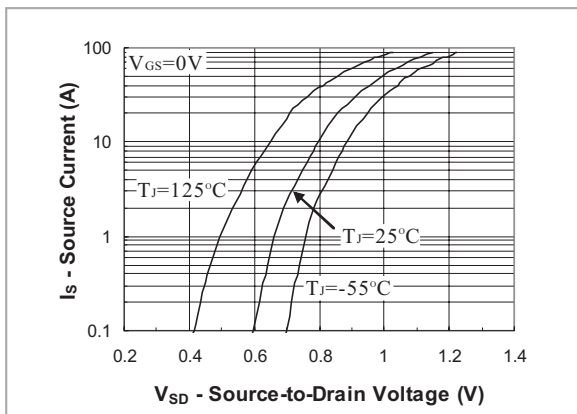


Fig. 10 - Source-Drain Diode Forward Voltage

LEGAL STATEMENT

Copyright PanJit International, Inc 2006

The information presented in this document is believed to be accurate and reliable. The specifications and information herein are subject to change without notice. Pan Jit makes no warranty, representation or guarantee regarding the suitability of its products for any particular purpose. Pan Jit products are not authorized for use in life support devices or systems. Pan Jit does not convey any license under its patent rights or rights of others.