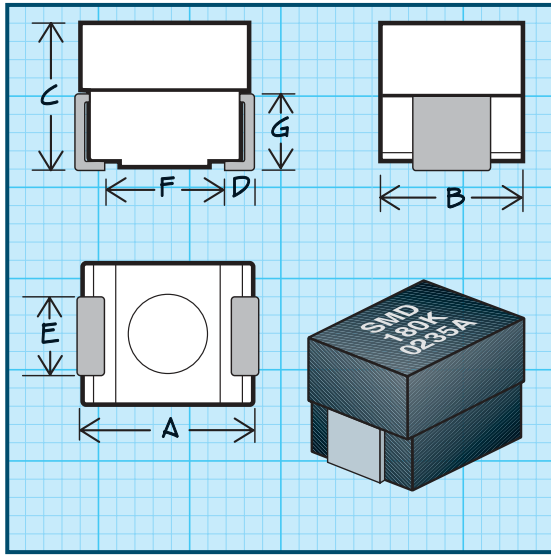


# Series 1008

## Unshielded Surface Mount Inductors



### Physical Parameters

	Inches	Millimeters
A	0.095 to 0.115	2.41 to 2.92
B	0.085 to 0.105	2.16 to 2.66
C	0.075 to 0.095	1.91 to 2.41
D	0.010 to 0.030	0.26 to 0.76
E	0.040 to 0.060	1.02 to 1.52
F	0.060 (Ref. only)	1.52 (Ref. only)
G	0.045 (Ref. only)	1.14 (Ref. only)

Dimensions "A" and "C" are over terminals.

**Weight Max.** (Grams) 0.1

**Operating Temperature Range** -55°C to +125°C

**Current Rating at 90°C Ambient** 35°C Rise

### Maximum Power Dissipation at 90°C

Phenolic: 0.169 W

Ferrite: 0.208 W

**Packaging** Tape & reel (8mm): 7" reel, 2000 pieces max.; 13" reel, 7000 pieces max.

**Made In the U.S.A. Patent Protected**

PART NUMBER

INDUCTANCE (µH)

TOLERANCE

Q MINIMUM

TEST FREQUENCY (MHz)

SRF MINIMUM (MHz)

DC RESISTANCE MAXIMUM (OHMS)

CURRENT RATING MAX. (mA)

### SERIES 1008 PHENOLIC CORE

1008-018M	0.0018	±20%	40	50	2700	0.050	1562
1008-022M	0.0022	±20%	40	50	2700	0.050	1562
1008-027M	0.0027	±20%	40	50	2700	0.050	1562
1008-033M	0.0033	±20%	40	50	2700	0.050	1562
1008-039M	0.0039	±20%	40	50	2700	0.050	1562
1008-047M	0.0047	±20%	40	50	2700	0.050	1562
1008-056M	0.0056	±20%	40	50	2700	0.050	1562
1008-068M	0.0068	±20%	40	50	2700	0.050	1562
1008-082M	0.0082	±20%	40	50	2700	0.050	1562
1008-100K	0.010	±10%	40	50	2700	0.050	1562
1008-120K	0.012	±10%	40	50	2450	0.058	1450
1008-150K	0.015	±10%	40	50	2200	0.064	1381
1008-180K	0.018	±10%	40	50	2000	0.070	1320
1008-220K	0.022	±10%	35	50	1800	0.080	1235
1008-270K	0.027	±10%	35	50	1625	0.090	1164
1008-330K	0.033	±10%	30	50	1450	0.100	1105
1008-390K	0.039	±10%	30	50	1335	0.110	1053
1008-470K	0.047	±10%	30	50	1220	0.120	1008
1008-560K	0.056	±10%	25	50	1110	0.170	847
1008-680K	0.068	±10%	25	50	1000	0.180	823
1008-820K	0.082	±10%	25	50	915	0.190	801
1008-101K	0.100	±10%	15	25	830	0.230	728

### SERIES 1008 FERRITE CORE

1008-121K	0.12	±10%	40	25	750	0.100	1225
1008-151K	0.15	±10%	40	25	650	0.110	1168
1008-181K	0.18	±10%	40	25	550	0.120	1119
1008-221K	0.22	±10%	40	25	450	0.135	1055
1008-271K	0.27	±10%	40	25	375	0.150	1000
1008-331K	0.33	±10%	40	25	300	0.165	954
1008-391K	0.39	±10%	40	25	250	0.180	913
1008-471K	0.47	±10%	40	25	215	0.210	846
1008-561K	0.56	±10%	40	25	195	0.230	808
1008-681K	0.68	±10%	40	25	175	0.260	760
1008-821K	0.82	±10%	40	25	140	0.300	708
1008-102J	1.0	±5%	30	7.9	125	0.320	685
1008-122J	1.2	±5%	30	7.9	100	0.430	591
1008-152J	1.5	±5%	30	7.9	92	0.500	548
1008-182J	1.8	±5%	30	7.9	76	0.720	457
1008-222J	2.2	±5%	30	7.9	70	0.800	433
1008-272J	2.7	±5%	30	7.9	62	0.880	413
1008-332J	3.3	±5%	30	7.9	60	0.950	398
1008-392J	3.9	±5%	30	7.9	57	1.20	354
1008-472J	4.7	±5%	30	7.9	47	1.35	334
1008-562J	5.6	±5%	30	7.9	44	1.54	312
1008-682J	6.8	±5%	30	7.9	35	2.00	274
1008-822J	8.2	±5%	30	7.9	33	2.16	264
1008-103J	10	±5%	30	7.9	28	2.50	245
1008-123J	12	±5%	30	2.5	24	3.50	207
1008-153J	15	±5%	30	2.5	21	4.00	194
1008-183J	18	±5%	30	2.5	19	5.00	173
1008-223J	22	±5%	30	2.5	17	6.00	158
1008-273J	27	±5%	30	2.5	15	7.00	146
1008-333J	33	±5%	30	2.5	13	8.00	135
1008-393J	39	±5%	30	2.5	12	9.00	125
1008-473J	47	±5%	30	2.5	11	10.00	120

Optional Tolerances: J = 5% H = 3% G = 2% F = 1%