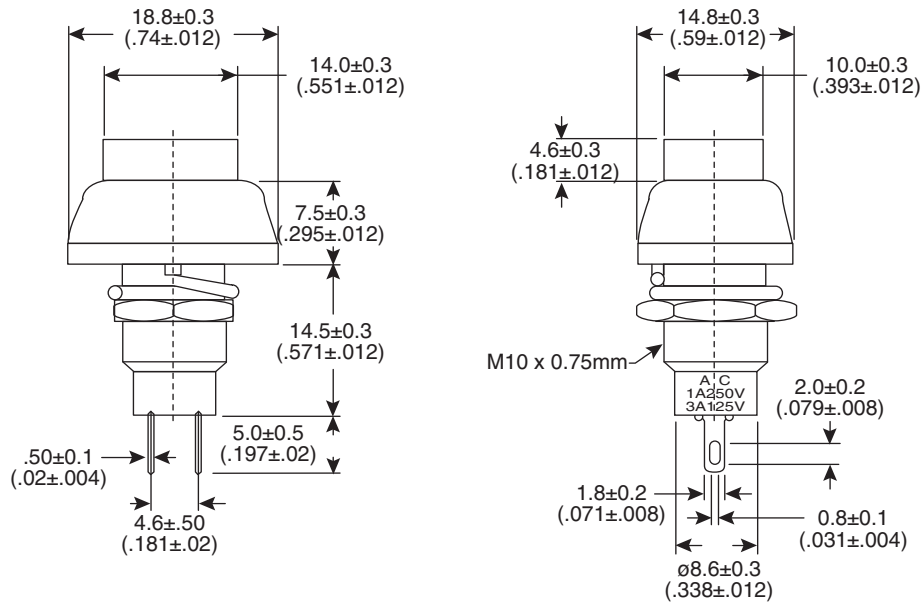
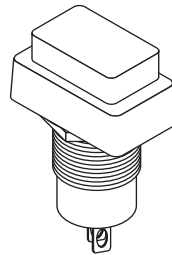


Dimensions: mm (In.)



**Electrical Specifications:**

- Rating: 3A/125V, 1A/250V AC
- Contact Resistance: 50mΩ Max.
- Insulation Resistance: 500VDC 100MΩ Min.
- Dielectric Strength: 1500VAC 1 minute

**Mechanical Specifications:**

- Type: 2P SPST

Mouser Stock No.	Button Color	Frame Color	Circuit
107-3035	Red	Black	OFF-(ON)
107-3036	Red	Black	OFF-ON
107-3037	Black	Black	OFF-(ON)
107-3038	Black	Black	OFF-ON
107-3039	Silver	Black	OFF-(ON)
107-3040	Silver	Silver	OFF-(ON)
107-3041	Silver	Black	OFF-(ON)
107-3042	Silver	Silver	OFF-(ON)

**Pushbutton Switches**

107-3035, 107-3036, 107-3037, 107-3038,  
107-3039, 107-3040, 107-3041, 107-3042

