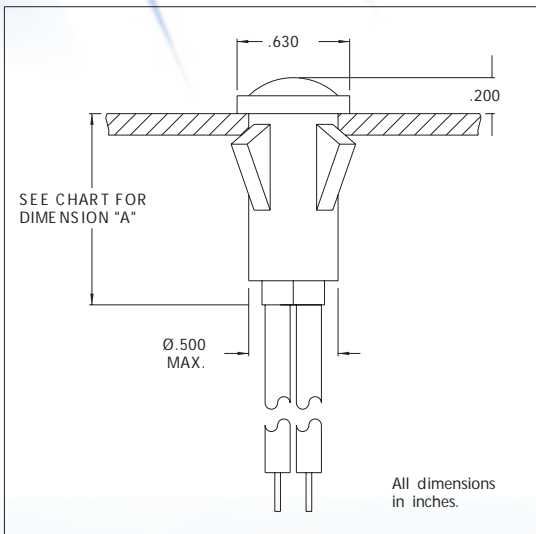


**1030D, 1031D, 1033D and 1090D Series Non-Relampable
 Neon-Incandescent Indicator Lights**

DESCRIPTION AND FEATURES



Mounting: Will snap-fit into Ø.500/.505 hole in panels .020/.100 thick. Push-on speednut SN0461 also available.
 Mounting hole pattern on page SP2.

Wire Leads: No.22 AWG (105°C) 4.40/4.80 long, stripped .430/.570

Lens: Polycarbonate

Bezel: Polished stainless steel.
 For black finish add "X" after the series letter(s).

Housing: White Nylon

| Lens Color | Neon | | Incandescent | |
|------------|---------------------------|---------------------------|--------------------|--------------------|
| | Model No. (105-125VAC) | Model No. (208-250VAC) | Model No. (12V) | Model No. (28V) |
| Red | 1030D1 | 1031D1 | 1090D1-12V | 1090D1-28V |
| Amber | 1030D3 | 1031D3 | 1090D3-12V | 1090D3-28V |
| White | 1030D4 | 1031D4 | 1090D4-12V | 1090D4-28V |
| Green | 1032D5* | 1033D5* | 1090D5-12V | 1090D5-28V |
| Lamp used | C 2A+Resistor | | #2162 | #2187 |
| Lead Color | Black | One Black/One Red | Yellow | Purple |
| "A" | 1.130 | 1.130 | .910 | .910 |

* Incorporates G2B lamp and resistor.

Underwriters Laboratories (UL) File No. E20325

Canadian Standards Association (CSA) File No. LR13346