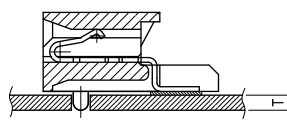
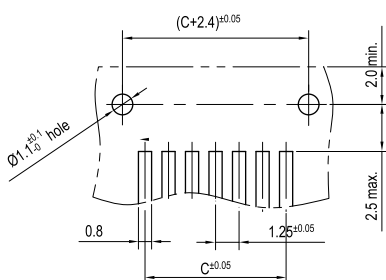
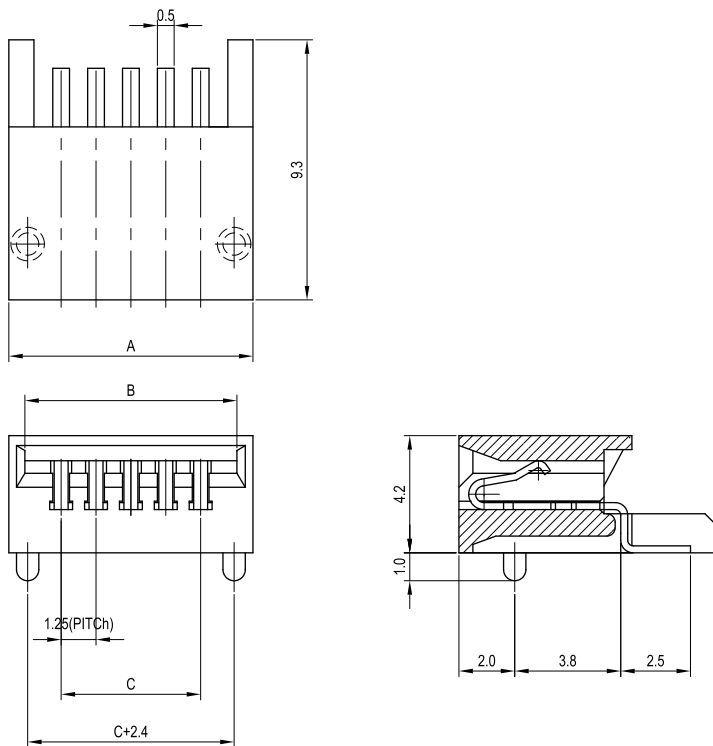
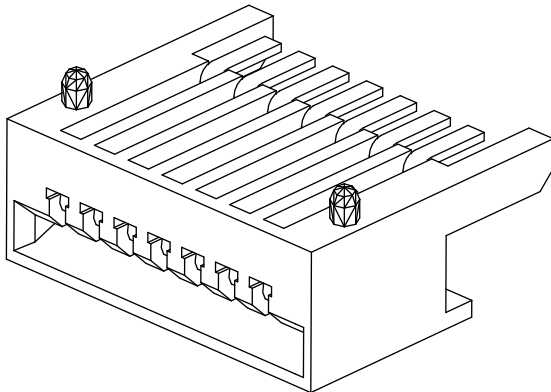


1.25mm (0.049") PITCH CONNECTOR



FPC/FFC Connector Housing

12508BR Series
SMT, NON-ZIF(Bottom Contact Type)
Right Angle



Material

| I/NO | DESCRIPTION | TITLE | MATERIAL |
|------|-------------|---------|------------------------------|
| 1 | HOUSING | 12508BR | PPS, UL 94V Grade |
| 2 | TERMINAL | 12508TB | Phosphor Bronze & Tin plated |

Available Pin

| PARTS NO. | A | B | C |
|---------------|-------|-------|-------|
| 12508BR-04A00 | 7.50 | 6.35 | 3.75 |
| 12508BR-05A00 | 8.75 | 7.60 | 5.00 |
| 12508BR-06A00 | 10.00 | 8.85 | 6.25 |
| 12508BR-07A00 | 11.25 | 10.10 | 7.50 |
| 12508BR-08A00 | 12.50 | 11.35 | 8.75 |
| 12508BR-09A00 | 13.75 | 12.60 | 10.00 |
| 12508BR-10A00 | 15.00 | 13.85 | 11.25 |
| 12508BR-11A00 | 16.25 | 15.10 | 12.50 |
| 12508BR-12A00 | 17.50 | 16.35 | 13.75 |
| 12508BR-13A00 | 18.75 | 17.60 | 15.00 |
| 12508BR-14A00 | 20.00 | 18.85 | 16.25 |
| 12508BR-15A00 | 21.25 | 20.10 | 17.50 |
| 12508BR-16A00 | 22.50 | 21.35 | 18.75 |
| 12508BR-17A00 | 23.75 | 22.60 | 20.00 |
| 12508BR-18A00 | 25.00 | 23.85 | 21.25 |
| 12508BR-19A00 | 26.25 | 25.10 | 22.50 |
| 12508BR-20A00 | 27.50 | 26.35 | 23.75 |
| 12508BR-21A00 | 28.75 | 27.60 | 25.00 |
| 12508BR-22A00 | 30.00 | 28.85 | 26.25 |
| 12508BR-23A00 | 31.25 | 30.10 | 27.50 |
| 12508BR-24A00 | 32.50 | 31.35 | 28.75 |
| 12508BR-25A00 | 33.75 | 32.60 | 30.00 |
| 12508BR-26A00 | 35.00 | 33.85 | 31.25 |
| 12508BR-27A00 | 36.25 | 35.10 | 32.50 |
| 12508BR-28A00 | 37.50 | 36.35 | 33.75 |
| 12508BR-29A00 | 38.75 | 37.60 | 35.00 |
| 12508BR-30A00 | 40.00 | 38.85 | 36.25 |

Specification

| ITEM | SPEC |
|------------------------|---------------|
| Voltage Rating | AC/DC 250V |
| Current Rating | AC/DC 1A |
| Operating Temperature | -25°C ~ +85°C |
| Contact Resistance | 30mΩ MAX |
| Withstanding Voltage | AC500V/1min |
| Insulation Resistance | 500MΩ MIN |
| Applicable Wire | - |
| Applicable P.C.B | 0.8 ~ 1.6mm |
| Applicable FPC/FFC | 0.30±0.05mm |
| Solder Height | 0.15mm |
| Crimp Tensile Strength | - |
| UL FILE NO | - |