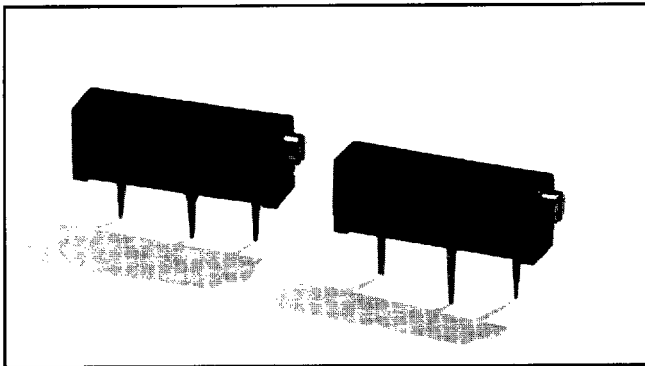




# VISHAY 1280 AND 1285G SERIES

## Precision Trimming Potentiometers

3/4" Rectilinear, ±5 ppm/°C and ±15 ppm/°C TCR



### FEATURES

- Temperature Coefficient of Resistance (TCR): <15 ppm/°C (Model 1280G); <5 ppm/°C (Model 1285G)<sup>4</sup> (-55°C to +125°C Ref. @ +25°C); through the wiper ±50 ppm/°C
- Load Life Stability: 0.5% Maximum ΔR under Full Rated Power @ +25°C for 2,000 hours
- Settability: 0.05% Typical; 0.1% Maximum
- Setting Stability: 0.1% Typical; 0.5% Maximum, ΔSS
- Power Rating: 0.75 watts @ +25°C
- Resistance Range: 10 Ω to 20K Ω
- Resistance Tolerance: ±10%, ±5 %
- Backlash: < 0.05%
- Tap Test: 0.05% Typical; 0.1% Maximum

TABLE 1 - 1280G AND 1285G SERIES	
ELECTRICAL SPECIFICATIONS	
Resistance Tolerance	Model 1280G 10% <sup>1</sup> Model 1285G 5%
Resistance Range	10 Ω to 20K Ω
T.C.R. Model 1280G	+15 ppm/°C (-55°C to +25°C) -15 ppm/°C (+25°C to +125°C)
T.C.R. Model 1285G <sup>4</sup>	+5 ppm/°C (-55°C to +25°C) -5 ppm/°C (+25°C to +125°C)
Power	0.75 W @ +25°C derated linearly to zero watts @ +125°C (See Fig. 2)
Settability	0.05% Typical <sup>2</sup> ; 0.1% Maximum
Setting Stability	0.1% Typical; 0.5% Maximum, ΔSS
Roll-on, Roll-off	0.25% Typical; 1.0% Maximum
Load-Life Stability	0.5% ΔR after 2,000 hours under Full Rated Power @ +25°C
End Resistance	2 Ω Maximum
C.R.V. <sup>3</sup>	3 Ω Typical; 10 Ω Maximum
Frequency Characteristics	10 ns rise time @ 1K Ω to 100 MHz

TABLE 2 - 1280G AND 1285G SERIES	
MECHANICAL SPECIFICATIONS	
Adjustment Turns	26 ±2 turns
Backlash	<0.05%
Stops	clutch, wiper idles
Sealed	+85°C water immersion
Torque	5 oz. in. Max.
Weight	1.5 grams Max.
Construction	
Case Material	Valox®
Lead Screw	Brass
Wiper	Precious Metal Brush
Rider Block	Nylon
Element	Bulk Metal® Foil
Lead Material	Gold Plated Phosphor Bronze

TABLE 3 - STANDARD VALUES
10 Ω, 20 Ω, 50 Ω, 100 Ω, 200 Ω, 500 Ω 1K, 2K, 5K, 10K, 20K

### NOTES

1. 5% Available on Special Order.
2. Typical is a designer's reference which represents that 85% of the units supplied over a long period of time, will be at least the figure shown or better.
3. The 1280G can be screened for low noise, if required.
4. For model 1285G 10 Ω and 20 Ω TCR is ±10 ppm/°C
5. Panel mount available on special order.

### HOW TO ORDER 1280/1285 SERIES PARTS:

Please specify Vishay Model 1202 Precision Trimming Potentiometers as follows:

Example:

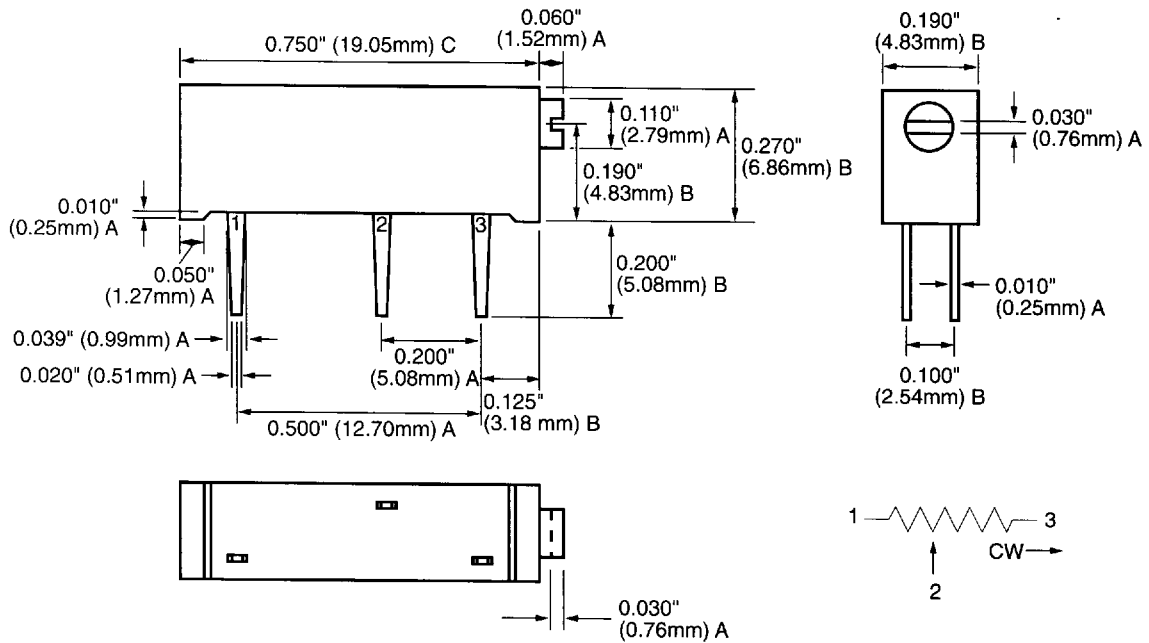
<u>1280G</u>	<u>100R</u>	<u>10%</u>
Model No.	Resistance Value	Tolerance



# VISHAY 1280 AND 1285G SERIES

## Schematic and Dimensions

**FIGURE 1 - 1280G / 1285G SCHEMATIC AND DIMENSIONS <sup>5</sup>**



**TOLERANCES**

- A = ±0.005" (0.13mm)
- B = ±0.010" (0.25mm)
- C = ±0.015" (0.38mm)

**FIGURE 2 - POWER DERATING CURVE**

