



# Dipole Antenna for ISM Band



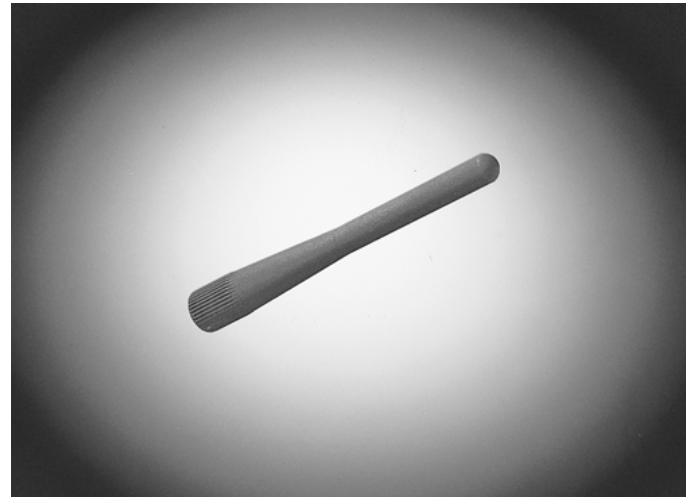
## Features

- Compact Size
- High Efficiency
- Low VSWR
- Ground Plane Independent
- Rugged/Durable
- Flexible

## Description

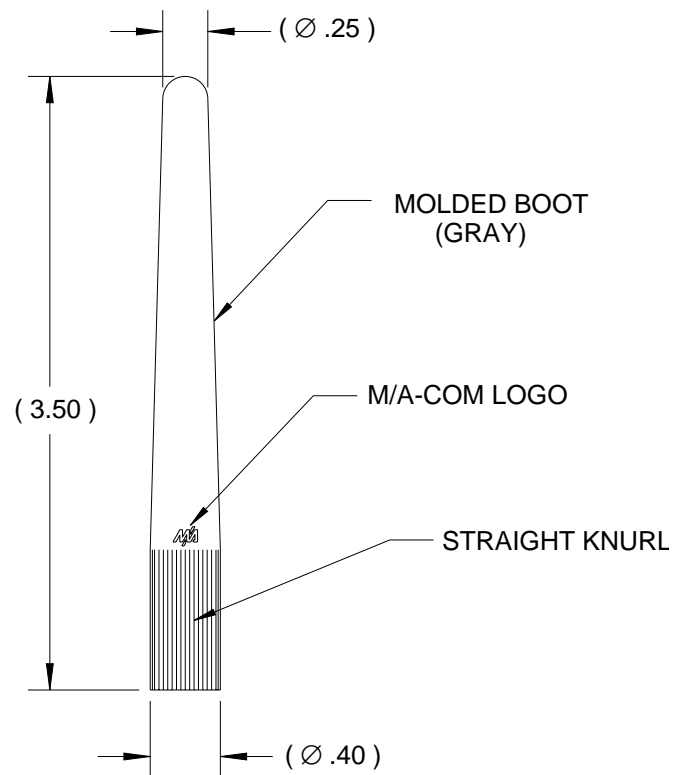
The AND-C-107 collinear dipole is vertically polarized and omnidirectional in azimuth. The unit is flexible to permit bending without damage. The compact design is optimized for high efficiency and easily adapted to custom applications.

This antenna can be used for a variety of ISM applications including wireless LANS and inventory control scanners.



## Specifications

Frequency Range	2400-2485 MHz
Peak Gain	1.9 dBi
Polarization	Vertical
Nominal Impedance	50 Ohms
VSWR	2.0:1 Max
R. F. Power Handling	1 W Avg. Max 3 W Peak Max
Weight:	1.0 ounce Max
Flex Life:	5,000 cycles $\pm 45^\circ$



V4.00



### Typical Electrical Performance

