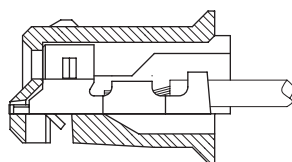
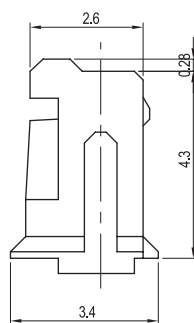
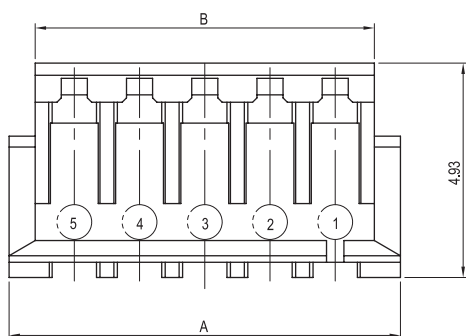
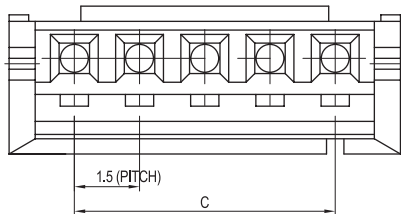
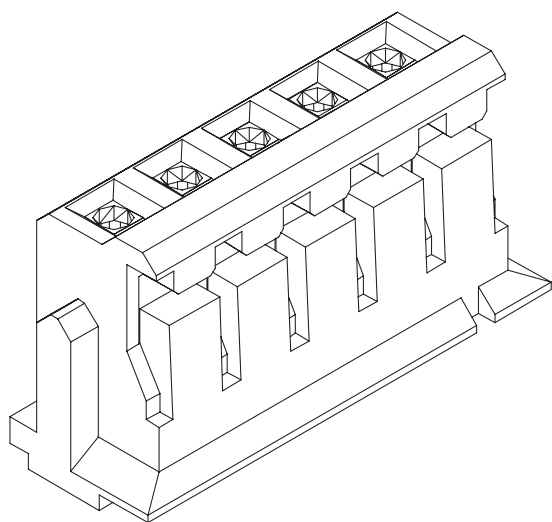


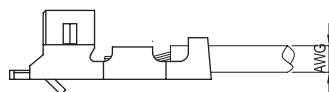
1.50mm (0.059") PITCH CONNECTOR

Wire-to-Board
Housing

15001HS Series



TERMINAL ASSEMBLY DRAWING



AWG : #26 ~ #28

Material

I/NO	DESCRIPTION	TITLE	MATERIAL
1	HOUSING	15001HS	PA66, UL 94V Grade

Available Pin

PARTS NO.	DIM. A	DIM. B	DIM. C
15001HS-02000	4.5	3.3	1.5
15001HS-03000	6.0	4.8	3.0
15001HS-04000	7.5	6.3	4.5
15001HS-05000	9.0	7.8	6.0
15001HS-06000	10.5	9.3	7.5
15001HS-07000	12.0	10.8	9.0
15001HS-08000	13.5	12.3	10.5
15001HS-09000	15.0	13.8	12.0
15001HS-10000	16.5	15.3	13.5
15001HS-11000	18.0	16.8	15.0
15001HS-12000	19.5	18.3	16.5
15001HS-13000	21.0	19.8	18.0

Specification

ITEM	SPEC
Voltage Rating	AC/DC 50V
Current Rating	AC/DC 1A
Operating Temperature	-25°C~+85°C
Contact Resistance	30mΩ MAX
Withstanding Voltage	AC500V/1min
Insulation Resistance	500MΩ MIN
Applicable Wire	AWG #26~#28
Applicable P.C.B	-
Applicable FPC/FFC	-
Solder Height	-
Crimp Tensile Strength	-
UL FILE NO	-

Application Terminal : 15001TS