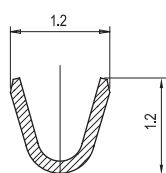
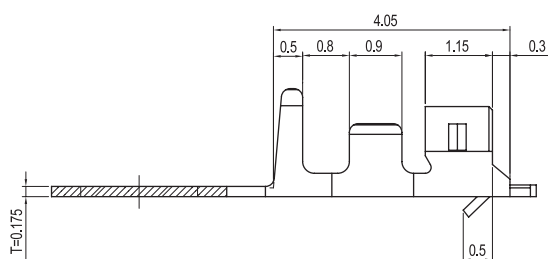
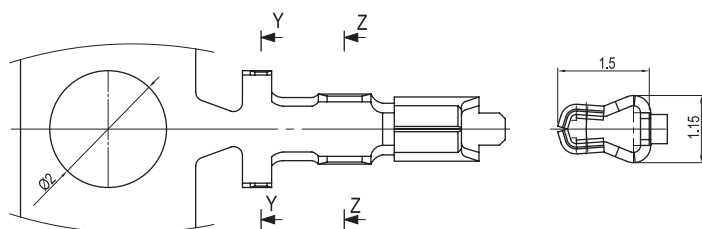
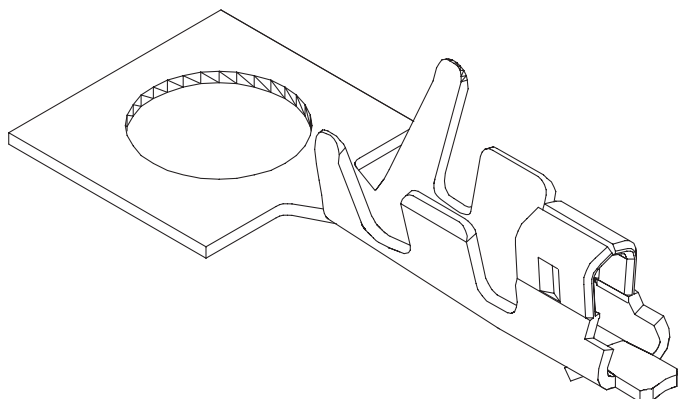


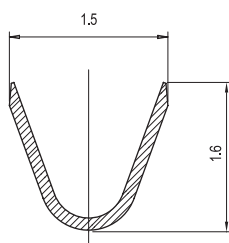
# 1.50mm (0.059") PITCH CONNECTOR

Wire-to-Board  
Crimp Terminal

15001TS



SECTION Y-Y"



SECTION Z-Z"

## Material

I/NO	DESCRIPTION	TITLE	AWG	MATERIAL	FINISH
1	TERMINAL	15001TS	#26-#28	Phosphor Bronze	Tin Plated

## Specification

ITEM	SPEC
Voltage Rating	AC/DC 50V
Current Rating	AC/DC 1A
Operating Temperature	-25°C~+85°C
Contact Resistance	30mΩ MAX
Withstanding Voltage	AC500V/1min
Insulation Resistance	500MΩ MIN
Applicable Wire	AWG #26~#28
Applicable P.C.B	-
Applicable FPC/FFC	-
Solder Height	-
Crimp Tensile Strength	AWG #26 : 1.5kgfMIN AWG #28 : 1.0kgfMIN
UL FILE NO	-