

## DSL Magnetics

### RM5 Through-Hole Inductors

- Designed with two well balanced and coupled windings for use in ADSL applications where filtering is required
- Withstand 100A surge of 10/700  $\mu$ s pulse
- Operating temperature range: -40° C to +85° C
- Meets IEC 695, 2-2 flammability requirements
- PWB Process Capability: standard printed wiring board assembly techniques, total-immersion cleaning
- Reliability testing: shock, vibration, temperature cycling, temperature - humidity - bias

#### ELECTRICAL SPECIFICATIONS AT 25° C

| Part Number | Turns Ratio <sup>1</sup><br>$\pm 2\%$ | Inductance <sup>2</sup><br>mH |                   | DCR<br>$\Omega$ |           | Leakage Inductance <sup>3</sup><br>$\mu$ H max | Dielectric Rating<br>Vrms                     |
|-------------|---------------------------------------|-------------------------------|-------------------|-----------------|-----------|--|---|
|             | (1-3) : (4-2)                         | (1-3)                         | (1-3)<br>min      | (1-3)           | (4-2)     | (1-3)  | between<br>(1-3) & (4-2) and<br>1, 2, & cores |
| 1797A       | 1 : 1                                 | 3 - 3.3                       | 2.85 <sup>4</sup> | 2.1 - 2.7       | 2.1 - 2.7 | 5  | 1000  |
| 1797B       | 1 : 1                                 | 2.4 - 2.65                    | 2.3 <sup>4</sup>  | 3.0 - 3.6       | 3.0 - 3.6 | 5  | 1000  |
| 1797C       | 1 : 1                                 | 4.3 - 4.73                    | 4.1 <sup>4</sup>  | 4.0 - 5.1       | 4.0 - 5.1 | 6  | 1000  |
| 1797D       | 1 : 1                                 | 7.6 - 8.4                     | 7.3 <sup>5</sup>  | 4.3 - 5.8       | 4.3 - 5.8 | 6  | 1000  |

1. measured at 20 kHz, 1 Vrms

2. measured at 10 kHz, 0.1 Vrms

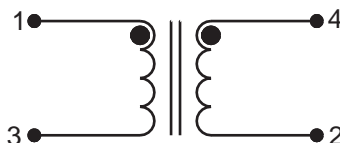
3. measured at 100 kHz, 0.1 Vrms

4. measured at 10 kHz, 0.1 Vrms, 100 mA DC

5. measured at 10 kHz, 0.1 Vrms, 40 mA DC

#### SCHEMATIC

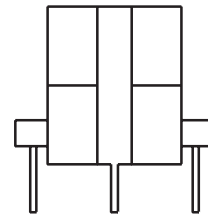
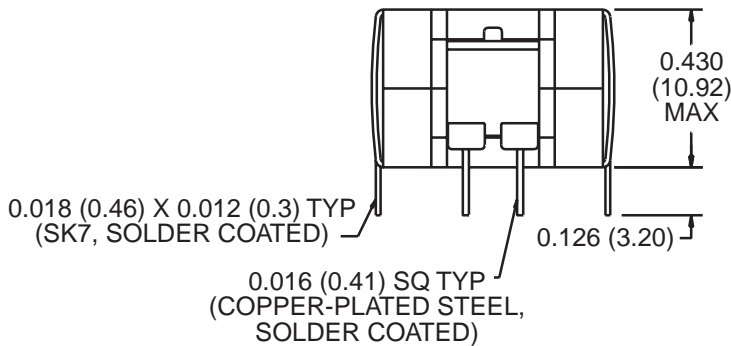
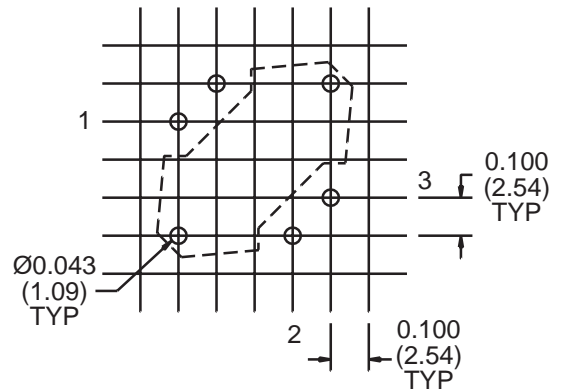
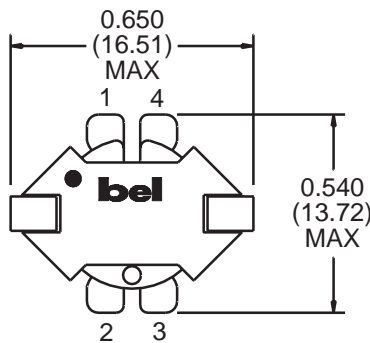
1797A  
1797B  
1797C  
1797D



### MECHANICAL

1797A  
1797B  
1797C  
1797D

LAYOUT OF HOLES  
VIEWED FROM COMPONENT SIDE OF PWB



©2000 Bel Fuse Inc. Specifications subject to change without notice. 07.00

#### CORPORATE

**Bel Fuse Inc.**  
198 Van Vorst Street  
Jersey City, NJ 07302  
Tel 201-432-0463  
Fax 201-432-9542  
www.belfuse.com

#### FAR EAST

**Bel Fuse Ltd.**  
8F / 8 Luk Hop Street  
San Po Kong  
Kowloon, Hong Kong  
Tel 852-2328-5515  
Fax 852-2352-3706  
www.belfuse.com

#### EUROPE

**Bel Fuse Europe Ltd.**  
Preston Technology Management Centre  
Marsh Lane, Suite G7, Preston  
Lancashire, PR1 8UD, U.K.  
Tel 44-1772-556601  
Fax 44-1772-888366  
www.belfuse.com