

2.00mm (0.079") PITCH CONNECTOR

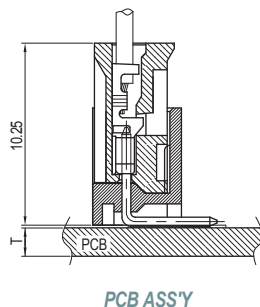
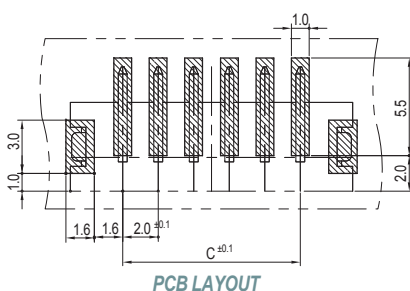
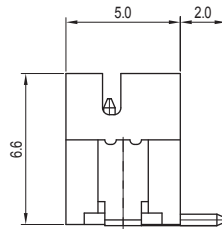
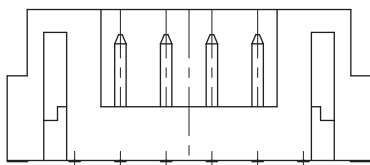
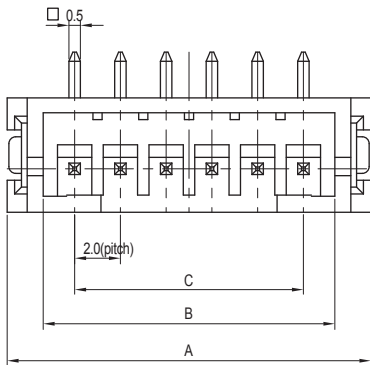
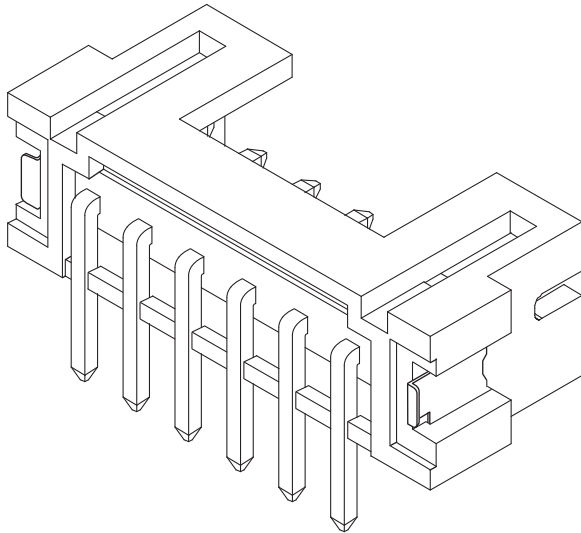


Wire-to-Board
Wafer

20022WS Series

SMT

Straight



Material

I/NO	DESCRIPTION	TITLE	MATERIAL
1	WAFER	20022WS	PA6T or PA46, UL 94V Grade
2	PIN		Brass & Tin Plated
3	HOOK	15001LR	Brass & Tin Plated

Available Pin

PARTS NO.	DIM. A	DIM. B	DIM. C
20022WS-02A00	7.9	4.75	2.0
20022WS-03A00	9.9	6.75	4.0
20022WS-04A00	11.9	8.75	6.0
20022WS-05A00	13.9	10.75	8.0
20022WS-06A00	15.9	12.75	10.0
20022WS-07A00	17.9	14.75	12.0
20022WS-08A00	19.9	16.75	14.0
20022WS-09A00	21.9	18.75	16.0
20022WS-10A00	23.9	20.75	18.0
20022WS-11A00	25.9	22.75	20.0
20022WS-12A00	27.9	24.75	22.0
20022WS-13A00	29.9	26.75	24.0
20022WS-14A00	31.9	28.75	26.0
20022WS-15A00	33.9	30.75	28.0

Specification

ITEM	SPEC
Voltage Rating	AC/DC 125V
Current Rating	AC/DC 2A
Operating Temperature	-25°C~+85°C
Contact Resistance	30mΩ MAX
Withstanding Voltage	AC1000V/1min
Insulation Resistance	1000MΩ MIN
Applicable Wire	-
Applicable P.C.B	0.8mm~1.6mm
Applicable FPC/FFC	-
Solder Height	0.15mm
Crimp Tensile Strength	-
UL FILE NO	-