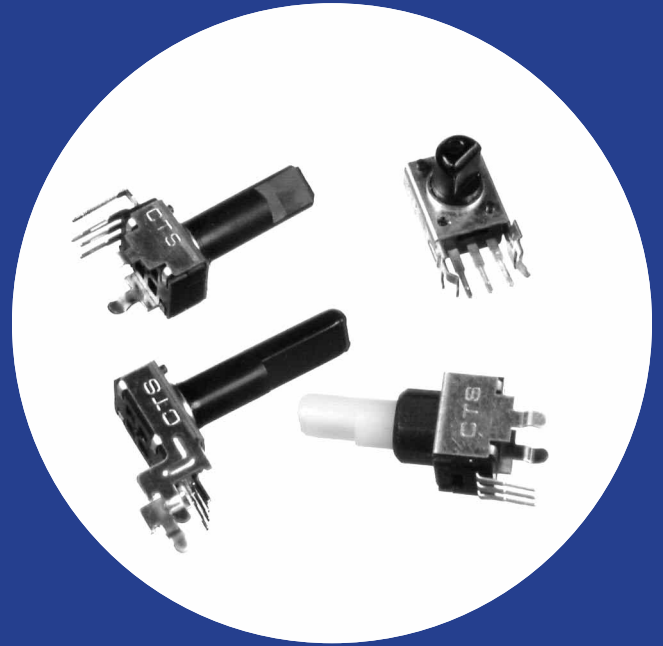


Commercial Composition 9mm Diameter Variable Resistors

- Miniature 9mm size
- Low cost
- Bushing mount or PC mount
- Dual control
- Detent available



Electrical and Mechanical Specifications

Resistance Range

Standard: 500 ohms through 1 megohms.
Special: For non-standard resistance values, please contact CTS.

Resistance Tolerance

Standard: $\pm 20\%$
Special: Tighter tolerances available in most resistance values.

Resistance Taper

Standard: Linear
Special: Available

Power Rating

Single section - 0.05 watts @ 50°C derated to no load @ 85°C for linear curve.
Dual section - 0.03 watts @ 50°C derated to no load @ 85°C for linear curve.

Dielectric Strength

Withstands 250 VAC for 1 minute

Insulation Resistance

100 megohms minimum at 250 VDC

Maximum Operating Voltage

50 VAC, 20 VDC

Angle of Rotation

Total Rotation: $280^\circ \pm 5^\circ$

Rotational Torque

10-100 g-cm

Stop Strength

3kg-cm minimum

Detent

50% detent available in single section units

Pull-Push Strength

5kgf maximum

Rotational Life

Single section - 5K cycles
Dual section - 2K cycles

Slide Noise

Less than 100mV (measured by JIS C6443)

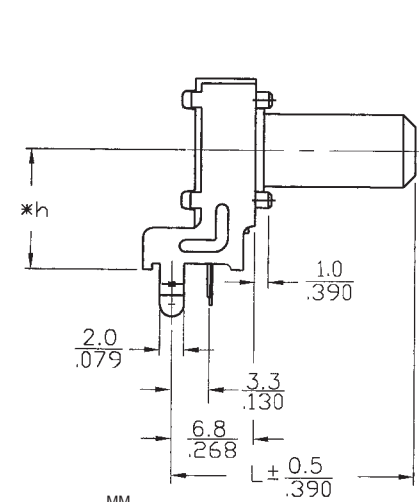
Gang Error

Within 3dB at -40 to 0 dB

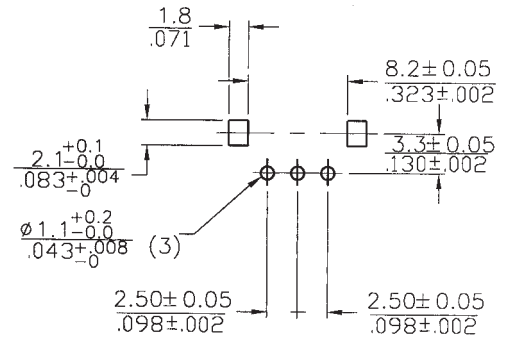
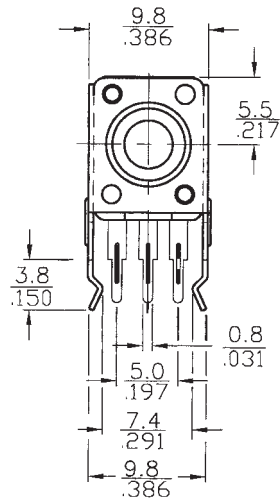
Insertion Loss

0.1 dB maximum

250 B or X

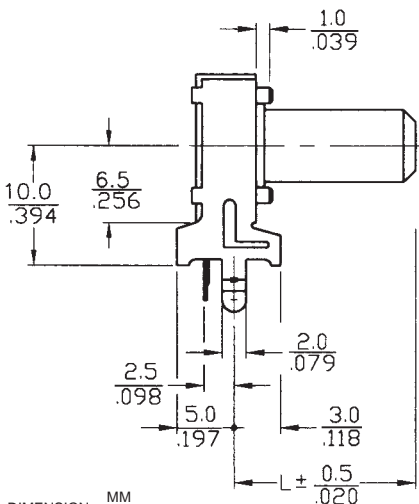


DIMENSION: $\frac{MM}{INCH}$

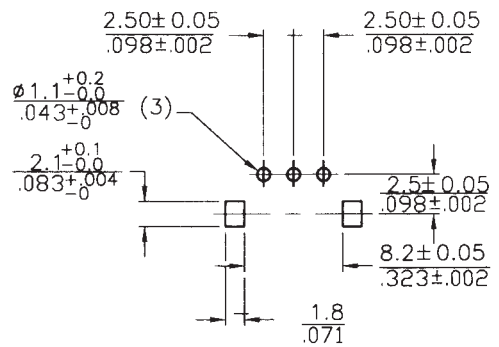
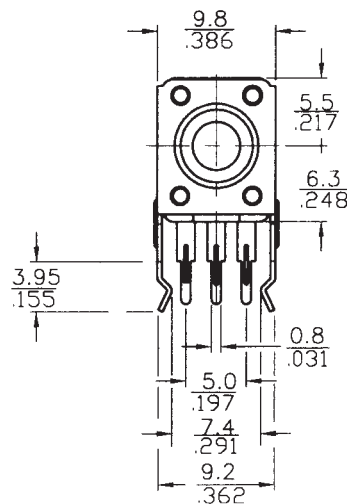


*NOTE :
PLEASE REFER TO ORDERING
INFORMATION FOR CODING "B" OR "X"

250Y

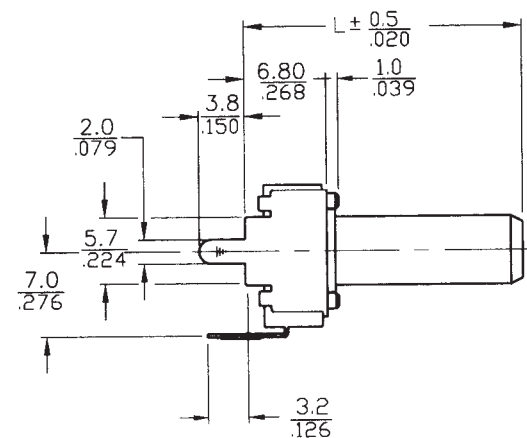


DIMENSION: $\frac{MM}{INCH}$

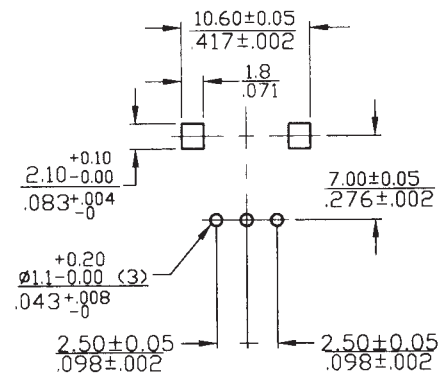
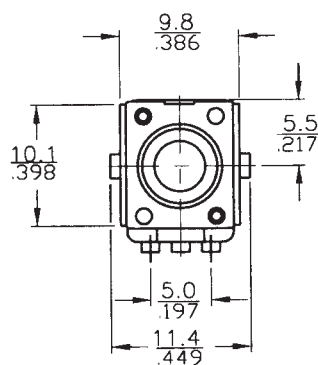


RECOMMENDED MOUNTING HOLE

250U

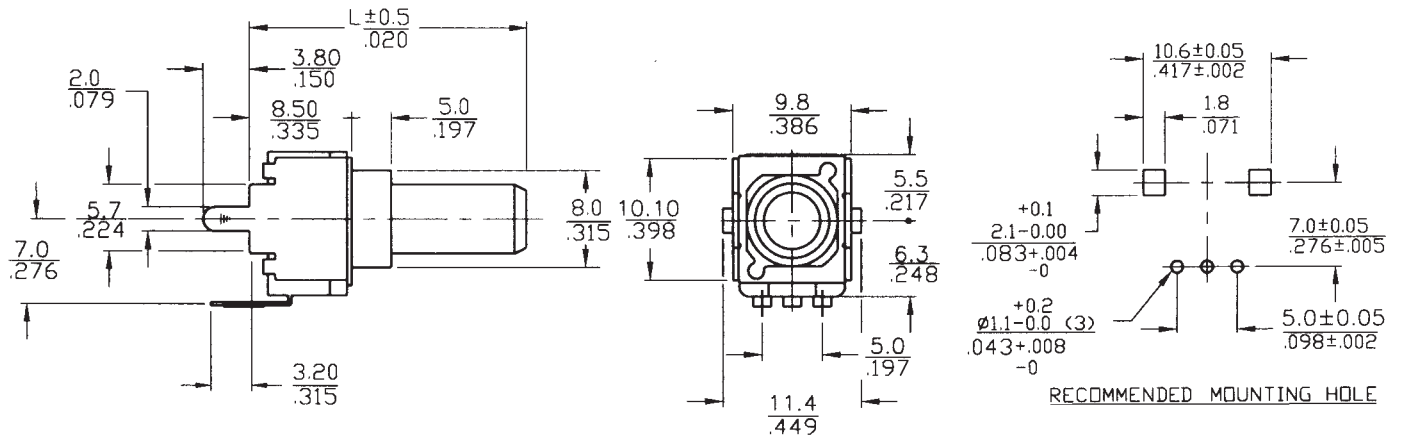


DIMENSION: $\frac{MM}{INCH}$



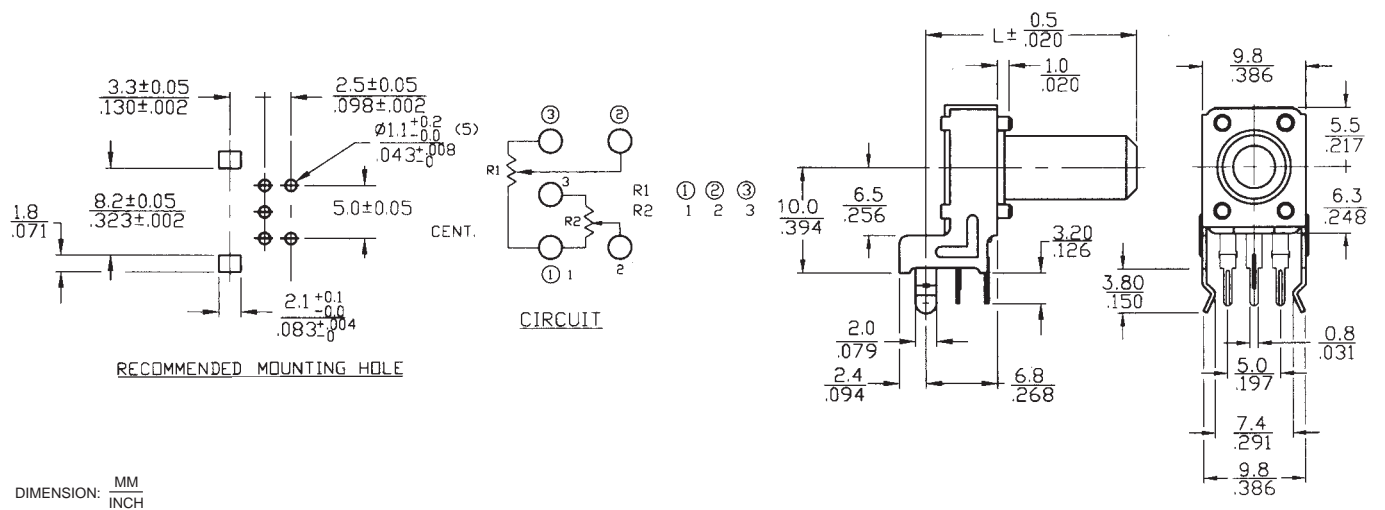
RECOMMENDED MOUNTING HOLE

UM250 With Bushing



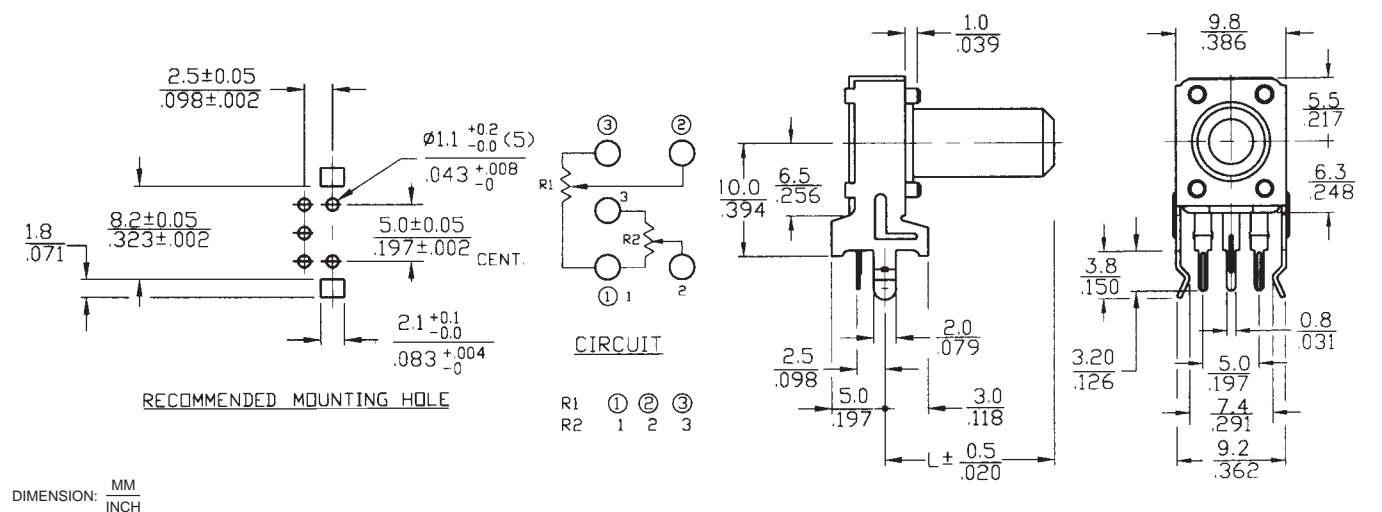
DIMENSION: $\frac{\text{MM}}{\text{INCH}}$

XMD250RE



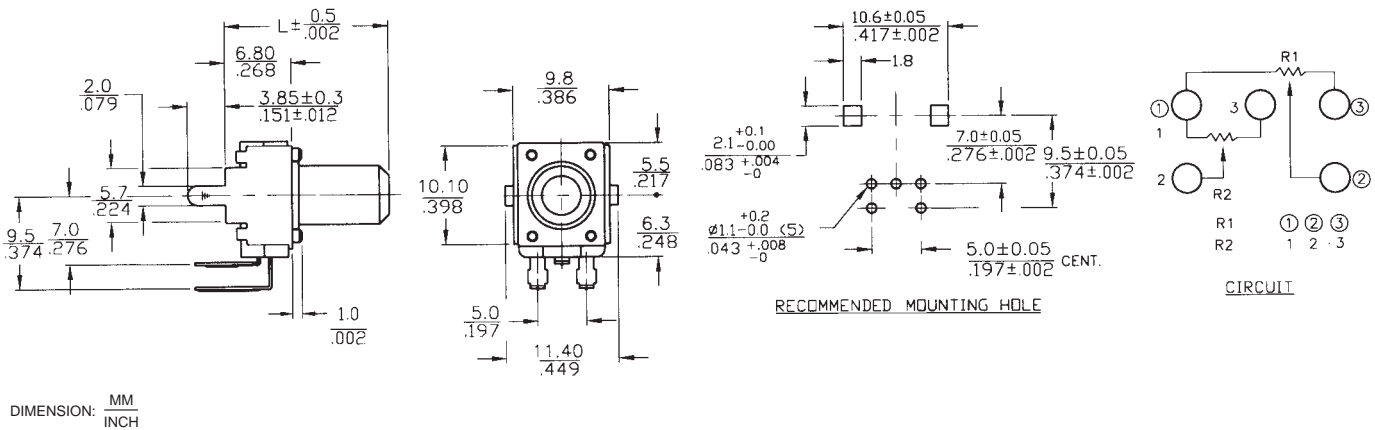
DIMENSION: $\frac{\text{MM}}{\text{INCH}}$

YMD250RE

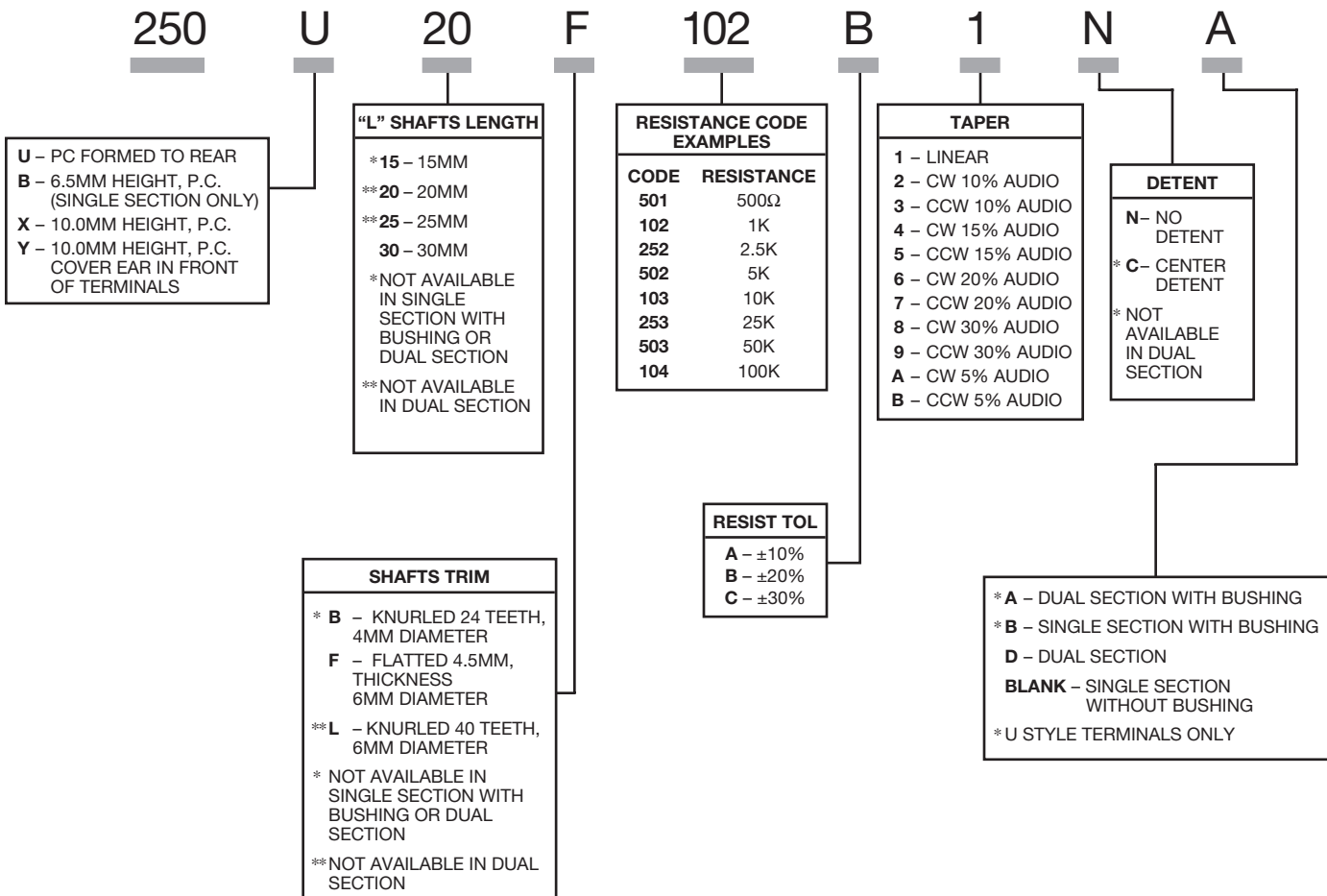


DIMENSION: $\frac{\text{MM}}{\text{INCH}}$

UMD250RE



Ordering Information



Order From:

CTS CORPORATION, ELECTROCOMPONENTS / 1601 Mishawaka Street / Elkhart, Indiana 46514
 North America Toll Free (888) 287-4690 / (219) 296-6700 / FAX: (219) 293-1240 <http://www.ctscorp.com>

CTS COMPONENTS TAIWAN, LTD. / 7, Central 6th Road (Chung Liu Road) / P.O. Box 26-20
 Kaohsiung Export Processing Zone / Kaohsiung, Taiwan, Rep. of China
 (07) 8216145 / FAX: (07) 8417642.8110040