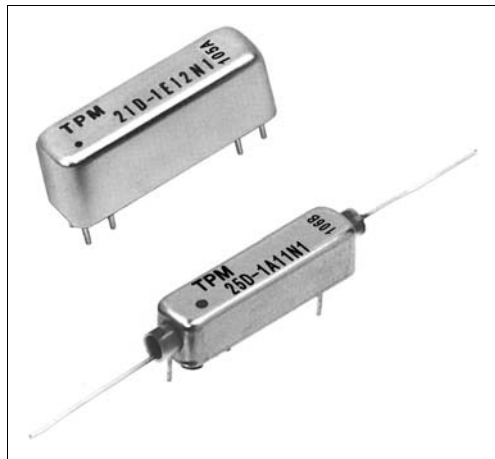


Miniature Reed Relays (2)

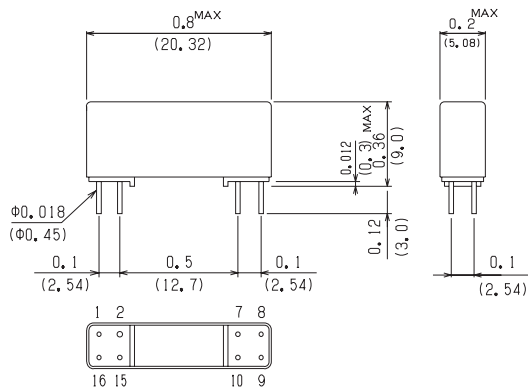


The 21D series support to high frequency applications. Standardized packaging and easy to design inch pitches. The 25D series support to high insulation applications. Standardized packaging and easy to make air connections to keep high insulation resistance on the PCB. Both series have the function lightweight, low capacitance and Magnetic Shield.

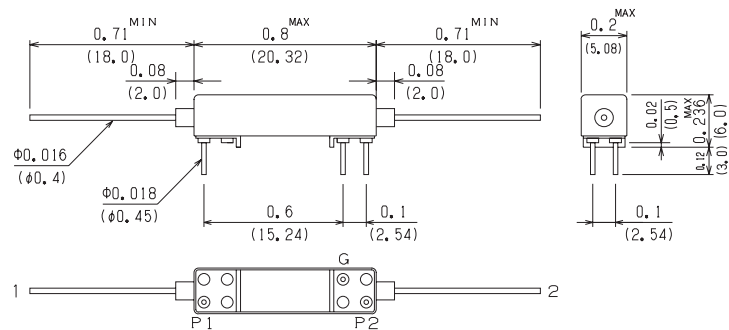
Mechanical Dimensions

All dimensions are measured in inches (millimeters).

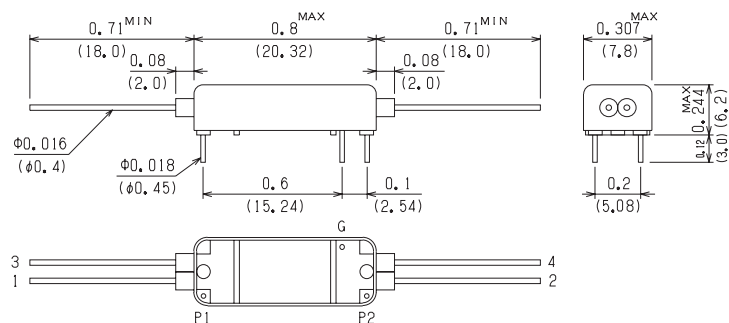
2 1 D - 1 E □ 2 (8) 1



2 5 D - 1 A □ 1 (8) □



2 5 D - 2 A □ 1 (8) □





21D, 25D Series			Model Number			High-Insulation Resistan Model Number			High-Insulation Resistan Model Number		
			21D-1E□2□0			25D-1A□1□□			25D-2A□1□□		
Parameters	Test Condition	Units	1 Form C			1 Form A			2 Form A		
Coil Specifications											
Nominal coil voltage		VDC	5	12	5	12	24	5	12	24	
Coil resistance	±10% at 20°C	Ω	90	600	160	600	1800	150	600	2000	
Operating voltage	15°C~35°C	VDC Max	3.6	9.6	3.6	9.6	19.2	3.6	9.6	19.2	
Operating voltage range	15°C~35°C	VDC	3.6/5.5	9.6/13.2	—	—	—	—	—	—	
Release voltage	15°C~35°C	VDC Min	0.7	1.2	0.7	1.2	2.4	0.7	1.2	2.4	
Contact Ratings											
Switching voltage	Max. DC/Peak AC resistance	Volts	100			100			100		
Switching current	Max. DC/Peak AC resistance	Amps	0.5			0.5			0.5		
Carry current	Max. DC/Peak AC resistance	Amps	1.0			1.0			1.0		
Contact rating	Max. DC/Peak AC resistance	Watts	10			10			10		
Life expectancy	1V, 10mA	×10 ⁶ cycles	1000			1000			1000		
Contact resistance	Maximum initial	mΩ	150			150			150		
Contact resistance stability	Maximum initial	mΩ	5.0			5.0			5.0		
Relay Specifications											
Insulation resistance	Between all isolated pins at 100V 20°C 40%RH	Ω	10 ¹⁰			*10 ¹¹ ~10 ¹³					
Capacitance		pF-Max									
Across open contacts	Shield guarding		0.5			0.2					
Contact to Shield	Contacts open, :Make-shield :Break-shield		1.8			1.2					
	Shield floating		4.0								
Open contact to coil	Shield guarding		0.8			0.5					
Dielectric strength	Between contacts	VDC	200			200					
	Contacts to shield		500			500					
Operating time (Including. bounce)	At nominal coil voltage, 100Hz Square wave	msec	1.0			0.5					
Release time	Diode suppression	msec	1.0			0.5					
Environmental Ratings	Measurement reference conditons Temp.: 15°C~35°C Humidity: 25%~85%RH Atmospheric pressure: 860~1060hPa Storage temp: -40°C~+80°C Operating temp: -20°C~+60°C The operating and Release Voltage and the coil resistance are specified at 20°C. These values change approximately 0.4%/°C change in the ambient temperature. Vibration: 20Gs to 2000Hz Shock: 50Gs	Schematics Top view									

Notes :

- Values are specified with a resistive load being applied. A contact protective circuit is required for C and L type loads.
- The values for the operating time and release time however, are when the rated coil voltage is applied and a clamp diode is attached.
- Model 21D-1E□2D0 : Diode is connected to pin 2 (+) and pin 7 (-).
Model 25D-1A□1D□ and 25D-2A□1D□ connected to pin P1 (+) and pin P2 (-). Correct coil polarity must be followed.
- A 25-D type with wet contacts is also available. (Model 25W-.)

ORDERING CODE

2 1 D - 1 E □ 2 □ 0
(2) (3)

2 5 D - □ A □ 1 □ □
(1) (2) (3) (4)

Example 21D-1E12N0 Represents series 21D with 1 Form C, Dry Reed (Rhodium) Multi-pole, Coil Voltage 5V and Coaxial Shield.

- | | |
|--|---|
| (1) Number of capsule
1-1capsule
2-2capsules | (3) Diode Option
N-No Diode
D-With Diode |
| (2) Coil Voltage
1-5VDC
2-12VDC
3-24VDC (21D N/A) | (4) Insulation Resistance
※ 1-10 ¹¹
2-10 ¹²
3-10 ¹³ |