

# HIGH FREQUENCY MAGNETICS

## T1/E1 Single Through Hole Shielded Transformers

TM9916

- Designed for DS1, DS1C, and CEPT applications
- Electrostatic shield provides improved longitudinal signal suppression and EMI reduction
- Meets IEC-695, 2-2 flammability requirements
- Compatible with water-soluble flux, total-immersion cleaning and machine insertion
- Qualified per Bellcore TR-TSY-000357-1
- Minimum interwinding breakdown voltage of 850 Vrms

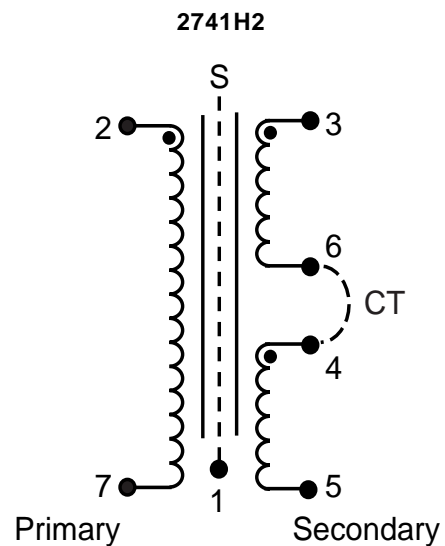
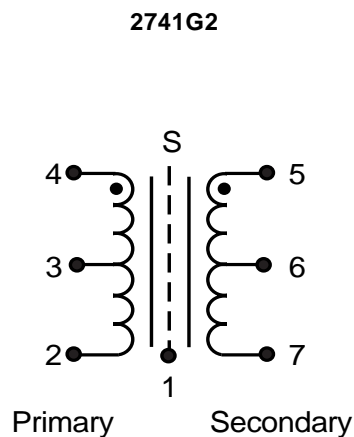
### ELECTRICAL SPECIFICATIONS at 25° C

Part Number	Turns Ratio ± 2%	Primary Inductance* mH min	Leakage Inductance μH max	DCR Ω max		Interwinding Capacitance** pF max	Non-Shielded Version
	Pri : Sec			Pri	Sec		
2741H2	1 : 1.36CT	0.92	2.5	0.83	1.43	5	2745CA2
2741G2	1CT : 2CT	3.15	6.5	1.9	4.4	5	2745AF2

\* Measured at 10 kHz, 0.1 Vac

\*\* With terminal 1 (shield) grounded

### SCHEMATICS

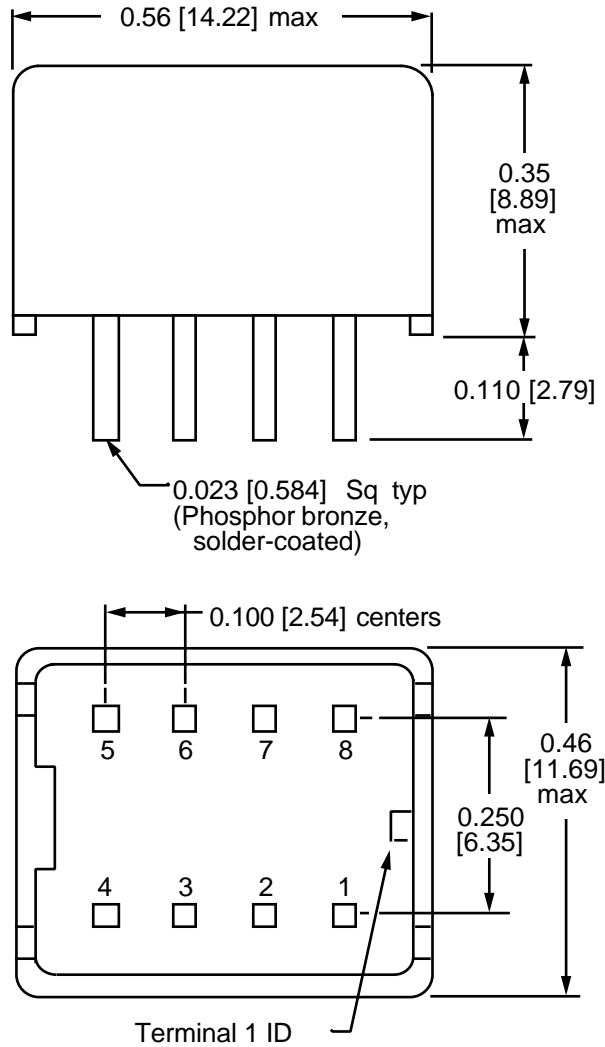


## HIGH FREQUENCY MAGNETICS

### T1/E1 Single Through Hole Shielded Transformers

#### MECHANICAL

2741G2  
2741H2



Note: Unless otherwise specified, dimensions are nominal and in inches [millimeters].

#### CORPORATE

**Bel Fuse Inc.**  
198 Van Vorst Street  
Jersey City, NJ 07302  
Tel 201-432-0463  
Fax 201-432-9542  
www.belfuse.com

T131

#### FAR EAST

**Bel Fuse Ltd.**  
8F / 8 Luk Hop Street  
San Po Kong  
Kowloon, Hong Kong  
Tel 852-2328-5515  
Fax 852-2352-3706  
www.belfuse.com

#### EUROPE

**Bel Fuse Europe Ltd.**  
Preston Technology Management Centre  
Marsh Lane, Suite F23, Preston  
Lancashire, PR1 8UD, U.K.  
Tel 44-1772-556601  
Fax 44-1772-888366  
www.belfuse.com