

ISDN MAGNETICS

Single S Interface Transformer

TM99AA

- Approved for use with Lucent Technologies chip sets for S/T interface European ISDN applications
- Meets requirements for pulse template and impedance template according to ITU-T (CCITT I.430)
- UL, TUV and VDE approved
- Minimum interwinding breakdown voltage of 3000 Vrms

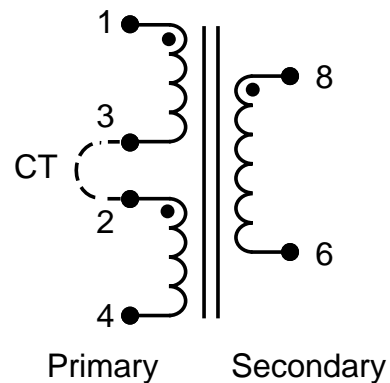
ELECTRICALS at 25° C

Part Number	Turns Ratio ± 3%	Primary Inductance* mH min	Leakage Inductance μH max	DCR Ω max		Interwinding Capacitance pF max	Distributed Capacitance pF max
				Pri	Sec		
2776A	1 : 2.5	22.0	5.0	1.55	8.75	100	100

* Measured at 1 kHz, 0.1 Vac

Part Number	Compatible Transceiver ICs	
	IC Mfr	IC Part Number
2776A	Lucent	T7250C T7256 T7234

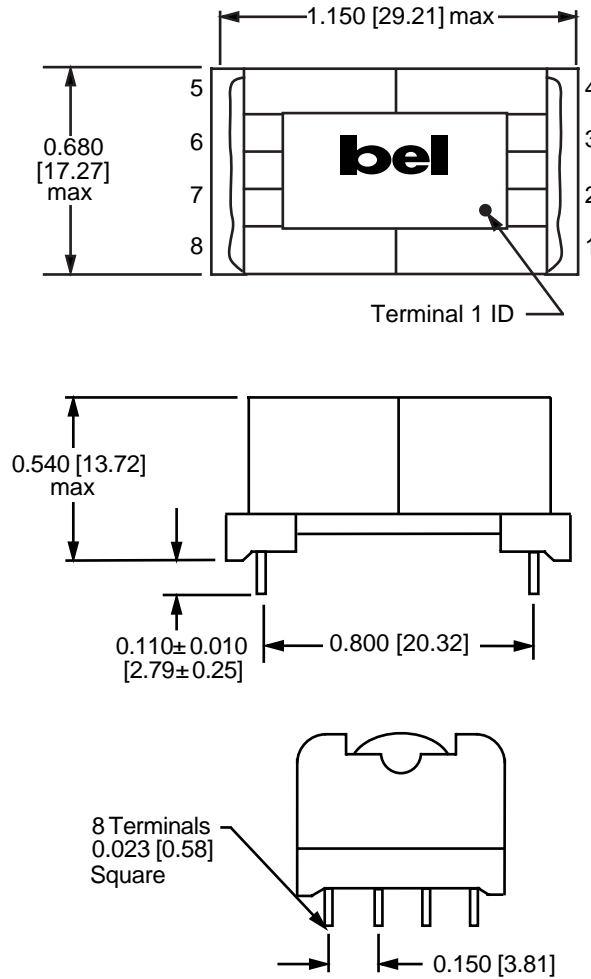
SCHEMATIC



ISDN MAGNETICS Single S Interface Transformer

MECHANICAL

2776A



Note: Unless otherwise specified, dimensions are nominal and in inches [millimeters].

CORPORATE

Bel Fuse Inc.
198 Van Vorst Street
Jersey City, NJ 07302
Tel 201-432-0463
Fax 201-432-9542
www.belfuse.com

FAR EAST

Bel Fuse Ltd.
8F / 8 Luk Hop Street
San Po Kong
Kowloon, Hong Kong
Tel 852-2328-5515
Fax 852-2352-3706
www.belfuse.com

EUROPE

Bel Fuse Europe Ltd.
Preston Technology Management Centre
Marsh Lane, Suite F23, Preston
Lancashire, PR1 8UD, U.K.
Tel 44-1772-556601
Fax 44-1772-888366
www.belfuse.com