

MODEM MAGNETICS

PCMCIA V.90 Transformers

TM00404

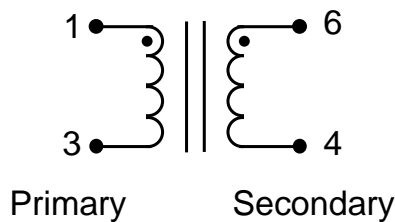
- Designed to match a 600Ω line to a 290Ω load while providing isolation and balance in PCMCIA Type II V.90 modem applications
- Approved by UL and CSA
- Minimum interwinding breakdown voltage of 1000 Vrms
- Qualified per Bellcore TR-TSY-000357-1

ELECTRICAL SPECIFICATIONS AT 25° C

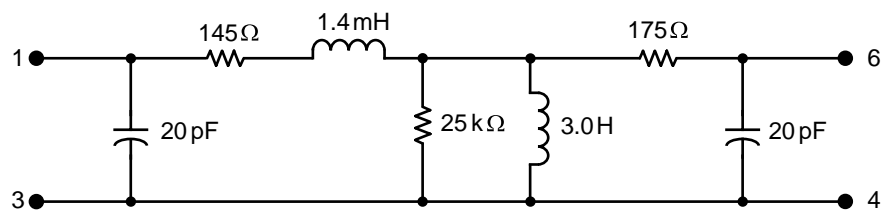
Part Number	Turns Ratio ± 2%	Insertion Loss dB	Return Loss dB	Frequency Response dB	DCR Ω max		Harmonic Distortion dB	Longitudinal Balance dB
		@ 1 kHz	300 Hz - 3500 Hz	200 Hz - 5 kHz	Pri	Sec	-10 dBm, 600 Hz	300 Hz - 3500 Hz
2786A	1 : 1	≤ 2.9	≥ 30	≤ 0.1	165	200	≥ 85	≥ 60
2786A3	1 : 1	≤ 2.9	≥ 30	≤ 0.1	165	200	≥ 85	≥ 60
2786A5	1 : 1	≤ 2.9	≥ 30	≤ 0.1	165	200	≥ 85	≥ 60

SCHEMATIC

2786A
2786A3
2786A5



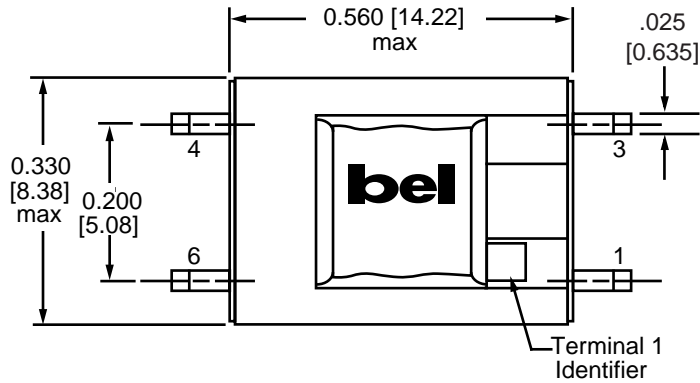
TYPICAL SPICE TRANSMISSION MODEL



TM00404

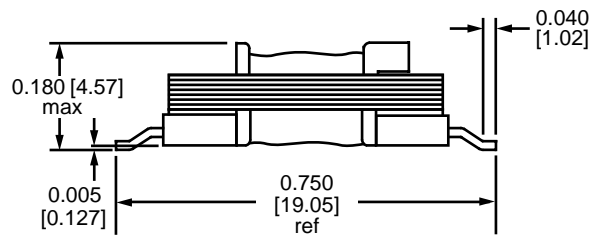
MECHANICALS

2786A

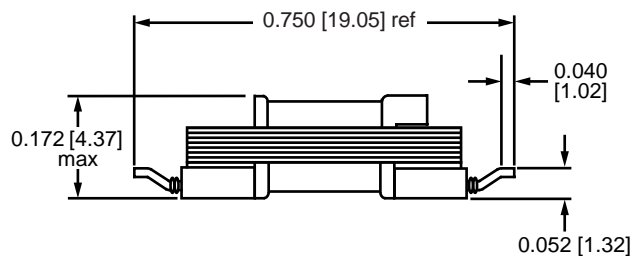


Note: Unless otherwise specified, dimensions are nominal and in inches [millimeters].

2786A3



2786A5



©2000 Bel Fuse Inc. Specifications subject to change without notice. 05.00

CORPORATE

Bel Fuse Inc.
 198 Van Vorst Street
 Jersey City, NJ 07302
 Tel 201-432-0463
 Fax 201-432-9542
 www.belfuse.com

FAR EAST

Bel Fuse Ltd.
 8F / 8 Luk Hop Street
 San Po Kong
 Kowloon, Hong Kong
 Tel 852-2328-5515
 Fax 852-2352-3706
 www.belfuse.com

EUROPE

Bel Fuse Europe Ltd.
 Preston Technology Management Centre
 Marsh Lane, Suite G7, Preston
 Lancashire, PR1 8UD, U.K.
 Tel 44-1772-556601
 Fax 44-1772-888366
 www.belfuse.com