



# MX27L256

## 256K-BIT [32Kx8] LOW VOLTAGE OPERATION CMOS EPROM

### FEATURES

- 32K x 8 organization
- Wide Voltage range, 2.7V to 3.6V DC
- +12.5V programming voltage
- Fast access time: 120/150/200/250 ns
- Totally static operation

- Completely TTL compatible
- Operating current: 10mA @ 3.6V, 5MHz
- Standby current: 10uA
- Package type:
  - 28 pin plastic DIP
  - 32 pin PLCC
  - 28 pin 8 x 13.4mm TSOP(I)

### GENERAL DESCRIPTION

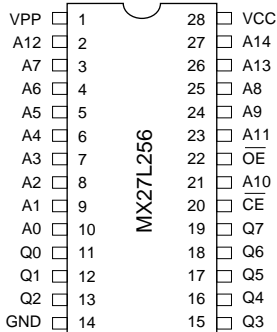
The MX27L256 is a 256K-bit, One-Time Programmable Read Only Memory. It is organized as 32K by 8 bits, operates from a single + 3volt supply, has a static standby mode, and features fast single address location programming. All programming signals are TTL levels, requiring a single pulse. For programming from outside the system, existing EPROM programmers may be

used. The MX27L256 supports intelligent fast programming algorithm which can result in programming time of less than ten seconds.

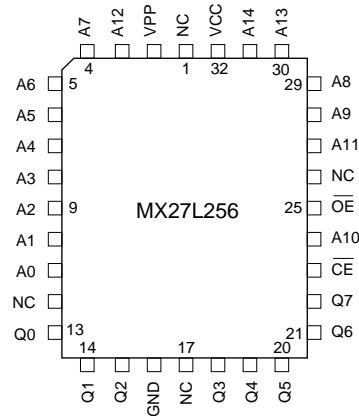
This EPROM is packaged in industry standard 28 pin dual-in-line packages, 32 lead PLCC, and 28 lead TSOP(I) packages.

### PIN CONFIGURATIONS

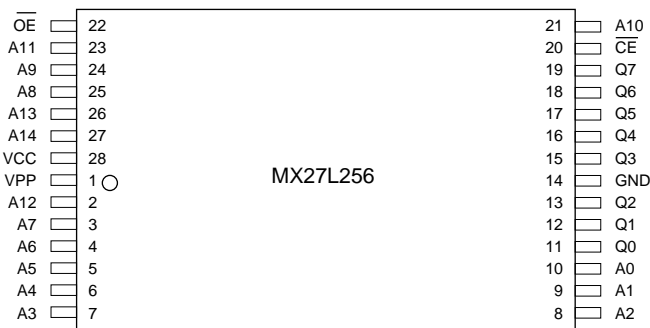
#### PDIP



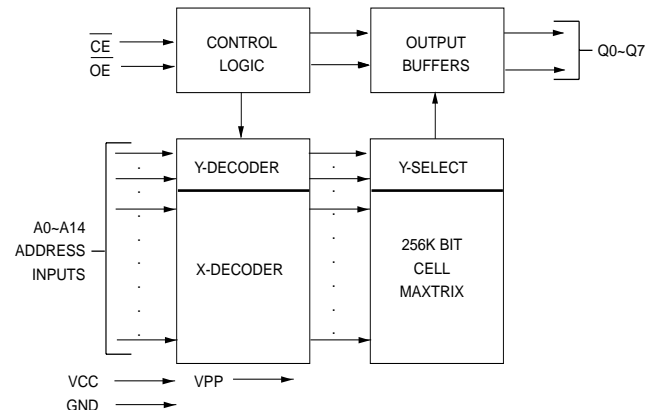
#### PLCC



#### 8 x 13.4mm 28 -TSOP(I)



### BLOCK DIAGRAM



### PIN DESCRIPTION

SYMBOL	PIN NAME
A0~A14	Address Input
Q0~Q7	Data Input/Output
CE	Chip Enable Input
OE	Output Enable Input
VPP	Program Supply Voltage
NC	No Internal Connection
VCC	Power Supply Pin
GND	Ground Pin

## FUNCTIONAL DESCRIPTION

### THE PROGRAMMING OF THE MX27L256

When the MX27L256 is delivered, or it is erased, the chip has all 256K bits in the "ONE" or HIGH state. "ZEROS" are loaded into the MX27L256 through the procedure of programming.

For programming, the data to be programmed is applied with 8 bits in parallel to the data pins.

VCC must be applied simultaneously or before VPP, and removed simultaneously or after VPP. When programming an MXIC EPROM, a 0.1uF capacitor is required across VPP and ground to suppress spurious voltage transients which may damage the device.

### FAST PROGRAMMING

The device is set up in the fast programming mode when the programming voltage  $VPP = 12.75V$  is applied, with  $VCC = 6.25 V$  and  $\overline{OE} = VIH$  (Algorithm is shown in Figure 1). The programming is achieved by applying a single TTL low level 100us pulse to the  $\overline{CE}$  input after addresses and data line are stable. If the data is not verified, an additional pulse is applied for a maximum of 25 pulses. This process is repeated while sequencing through each address of the device. When the programming mode is completed, the data in all address is verified at  $VCC = VPP = 5V \pm 10\%$ .

### PROGRAM INHIBIT MODE

Programming of multiple MX27L256s in parallel with different data is also easily accomplished by using the Program Inhibit Mode. Except for  $\overline{CE}$  and  $\overline{OE}$ , all like inputs of the parallel MX27L256 may be common. A TTL low-level program pulse applied to an MX27L256  $\overline{CE}$  input with  $VPP = 12.5 \pm 0.5 V$  and  $\overline{OE}$  HIGH will program that MX27L256. A high-level  $\overline{CE}$  input inhibits the other MX27L256s from being programmed.

### PROGRAM VERIFY MODE

Verification should be performed on the programmed bits to determine that they were correctly programmed. The verification should be performed with  $\overline{CE}$  and  $\overline{OE}$  at VIL, and VPP at its programming voltage.

## AUTO IDENTIFY MODE

The auto identify mode allows the reading out of a binary code from an EPROM that will identify its manufacturer and device type. This mode is intended for use by programming equipment for the purpose of automatically matching the device to be programmed with its corresponding programming algorithm. This mode is functional in the  $25^{\circ}C \pm 5^{\circ}C$  ambient temperature range that is required when programming the MX27L256.

To activate this mode, the programming equipment must force  $12.0 \pm 0.5 (VH)$  on address line A9 of the device. Two identifier bytes may then be sequenced from the device outputs by toggling address line A0 from VIL to VIH. All other address lines must be held at VIL during auto identify mode.

Byte 0 ( $A0 = VIL$ ) represents the manufacturer code, and byte 1 ( $A0 = VIH$ ), the device identifier code. For the MX27L256, these two identifier bytes are given in the Mode Select Table. All identifiers for manufacturer and device codes will possess odd parity, with the MSB (Q7) defined as the parity bit.

## READ MODE

The MX27L256 has two control functions, both of which must be logically satisfied in order to obtain data at the outputs. Chip Enable ( $\overline{CE}$ ) is the power control and should be used for device selection. Output Enable ( $\overline{OE}$ ) is the output control and should be used to gate data to the output pins, independent of device selection. Assuming that addresses are stable, address access time ( $tACC$ ) is equal to the delay from  $\overline{CE}$  to output ( $tCE$ ). Data is available at the outputs  $tOE$  after the falling edge of  $\overline{OE}$ , assuming that  $\overline{CE}$  has been LOW and addresses have been stable for at least  $tACC - tOE$ .

## STANDBY MODE

The MX27L256 has a CMOS standby mode which reduces the maximum VCC current to 10 uA. It is placed in CMOS standby when  $\overline{CE}$  is at  $VCC \pm 0.3 V$ . The MX27L 256 also has a TTL-standby mode which reduces the maximum VCC current to 0.25 mA. It is placed in TTL-standby when  $\overline{CE}$  is at VIH. When in standby mode, the outputs are in a high-impedance state, independent of the  $\overline{OE}$  input.

**TWO-LINE OUTPUT CONTROL FUNCTION**

To accommodate multiple memory connections, a two-line control function is provided to allow for:

1. Low memory power dissipation,
2. Assurance that output bus contention will not occur.

It is recommended that  $\overline{CE}$  be decoded and used as the primary device-selecting function, while  $\overline{OE}$  be made a common connection to all devices in the array and connected to the READ line from the system control bus. This assures that all deselected memory devices are in their low-power standby mode and that the output pins are only active when data is desired from a particular memory device.

**SYSTEM CONSIDERATIONS**

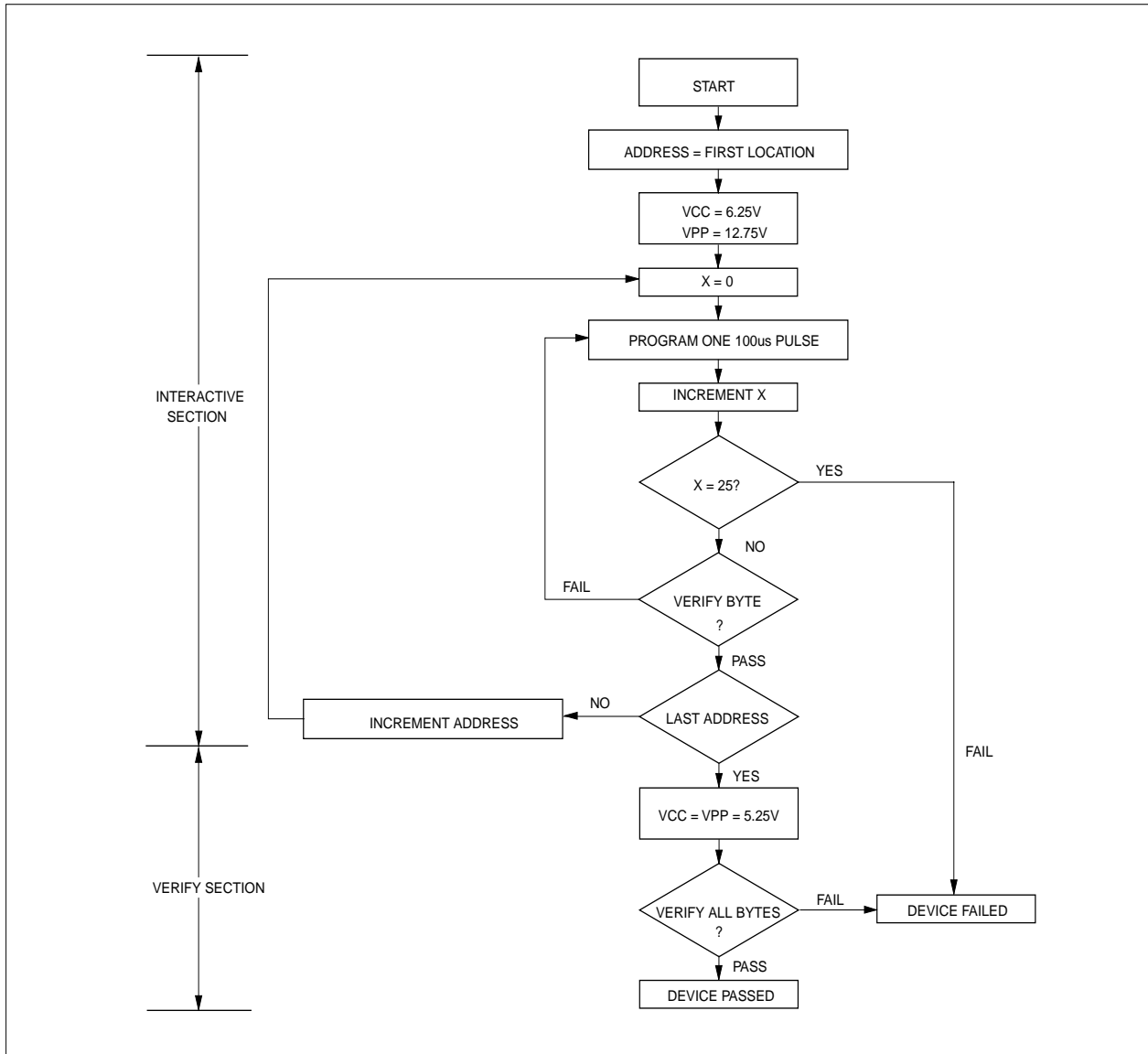
During the switch between active and standby conditions, transient current peaks are produced on the rising and falling edges of Chip Enable. The magnitude of these transient current peaks is dependent on the output capacitance loading of the device. At a minimum, a 0.1 uF ceramic capacitor (high frequency, low inherent inductance) should be used on each device between VCC and GND to minimize transient effects. In addition, to overcome the voltage drop caused by the inductive effects of the printed circuit board traces on EPROM arrays, a 4.7 uF bulk electrolytic capacitor should be used between Vcc and GND for each eight devices. The location of the capacitor should be close to where the power supply is connected to the array.

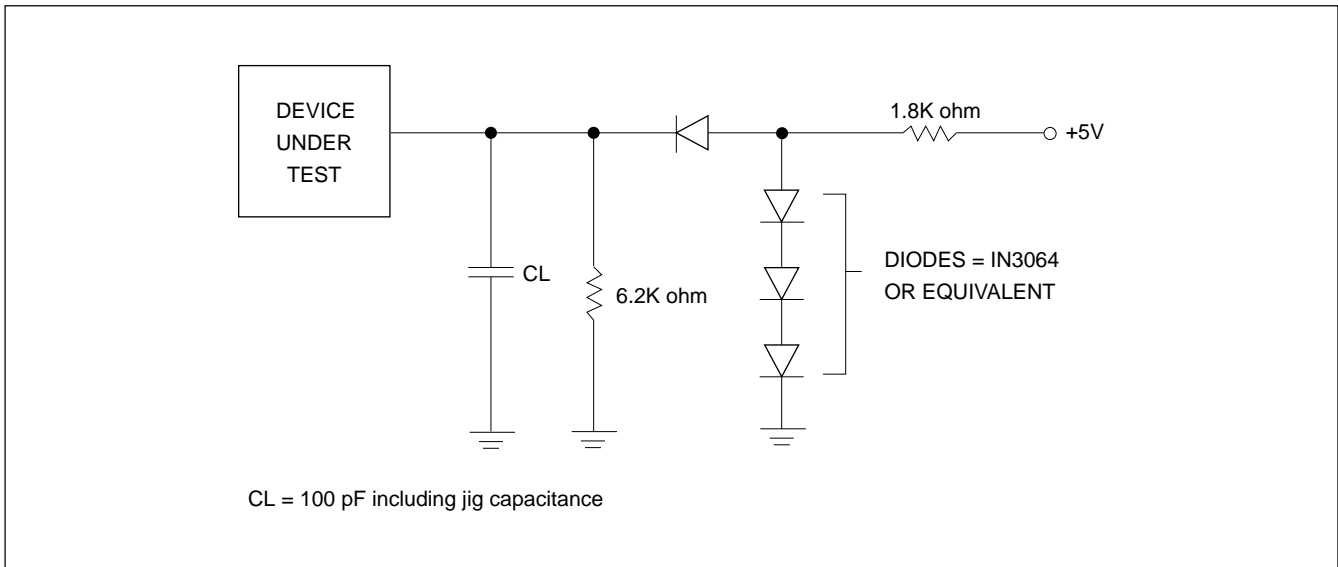
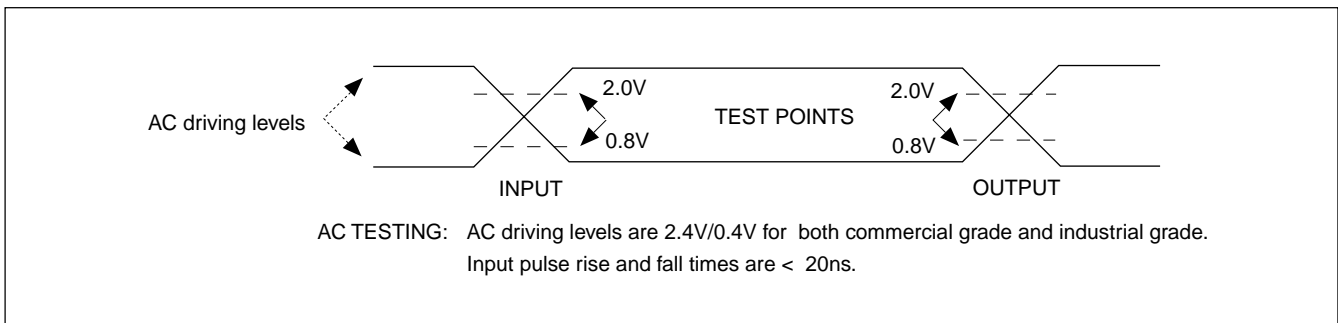
**MODE SELECT TABLE**

MODE	$\overline{CE}$	$\overline{OE}$	PINS		VPP	OUTPUTS
			A0	A9		
Read	VIL	VIL	X	X	VCC	DOUT
Output Disable	VIL	VIH	X	X	VCC	High Z
Standby (TTL)	VIH	X	X	X	VCC	High Z
Standby (CMOS)	VCC±0.3V	X	X	X	VCC	High Z
Program	VIL	VIH	X	X	VPP	DIN
Program Verify	VIH	VIL	X	X	VPP	DOUT
Program Inhibit	VIH	VIH	X	X	VPP	High Z
Manufacturer Code(3)	VIL	VIL	VIL	VH	VCC	C2H
Device Code(3)	VIL	VIL	VIH	VH	VCC	10H

- NOTES:**
1. VH = 12.0 V ± 0.5 V
  2. X = Either VIH or VIL
  3. A1 - A8 = A10 - A14 = VIL(For auto select)

4. See DC Programming characteristics for VPP voltage during programming.

**FIGURE 1. FAST PROGRAMMING FLOW CHART**


**SWITCHING TEST CIRCUITS**

**SWITCHING TEST WAVEFORMS**


**ABSOLUTE MAXIMUM RATINGS**

RATING	VALUE
Ambient Operating Temperature	-40°C to 85°C
Storage Temperature	-65°C to 125°C
Applied Input Voltage	-0.5V to 7.0V
Applied Output Voltage	-0.5V to VCC + 0.5V
VCC to Ground Potential	-0.5V to 7.0V
A9 & Vpp	-0.5V to 13.5V

**NOTICE:**

Stresses greater than those listed under ABSOLUTE MAXIMUM RATINGS may cause permanent damage to the device. This is a stress rating only and functional operation of the device at these or any other conditions above those indicated in the operational sections of this specification is not implied. Exposure to absolute maximum rating conditions for extended period may affect reliability.

**NOTICE:**

Specifications contained within the following tables are subject to change.

**DC/AC Operating Conditions for Read Operation**

		MX27L256			
		-12	-15	-20	-25
Operating Temperature	Commercial	0°C to 70°C	0°C to 70°C	0°C to 70°C	0°C to 70°C
	Industrial	-40°C to 85°C	-40°C to 85°C	-40°C to 85°C	-40°C to 85°C
Vcc Power Supply		2.7V to 3.6V	2.7V to 3.6V	2.7V to 3.6V	2.7V to 3.6V

**DC CHARACTERISTICS**

SYMBOL	PARAMETER	MIN.	MAX.	UNIT	CONDITIONS
VOH	Output High Voltage	VCC - 0.3		V	IOH = -100uA, VCC = 3.0V
VOL	Output Low Voltage		0.3	V	IOL = 2.1mA, VCC = 3.0V
VIH	Input High Voltage	2.0	VCC + 0.5	V	
VIL	Input Low Voltage	-0.3	0.6	V	
ILI	Input Leakage Current	-10	10	uA	VIN = 0 to 3.6V
ILO	Output Leakage Current	-10	10	uA	VOUT = 0 to 3.6V
ICC3	VCC Power-Down Current		10	uA	$\overline{CE} = VCC \pm 0.3V$
ICC2	VCC Standby Current		0.25	mA	$\overline{CE} = VIH$
ICC1	VCC Active Current		10	mA	$\overline{CE} = VIL, f=5MHz, I_{out} = 0mA, VCC = 3.6V$
IPP	VPP Supply Current Read		10	uA	$\overline{CE} = \overline{OE} = VIL, VPP = VCC$

**CAPACITANCE** TA = 25°C, f = 1.0 MHz (Sampled only)

SYMBOL	PARAMETER	MIN.	MAX.	UNIT	CONDITIONS
CIN	Input Capacitance	8	12	pF	VIN = 0V
COUT	Output Capacitance	8	12	pF	VOUT = 0V
VPP	VPP Capacitance	18	25	pF	VPP = 0V

**AC CHARACTERISTICS**

SYMBOL	PARAMETER	27L256-12		27L256-15		27L256-20		27L256-25		UNIT	CONDITIONS
		MIN.	MAX.	MIN.	MAX.	MIN.	MAX.	MIN.	MAX.		
tACC	Address to Output Delay		120		150		200		250	ns	$\overline{CE} = \overline{OE} = V_{IL}$
tCE	Chip Enable to Output Delay		120		150		200		250	ns	$\overline{OE} = V_{IL}$
tOE	Output Enable to Output Delay		60		70		100		120	ns	$\overline{CE} = V_{IL}$
tDF	$\overline{OE}$ High to Output Float, or $\overline{CE}$ High to Output Float	0	40	0	50	0	60	0	70	ns	
tOH	Output Hold from Address, $\overline{CE}$ or $\overline{OE}$ which ever occurred first	0		0		0		0		ns	

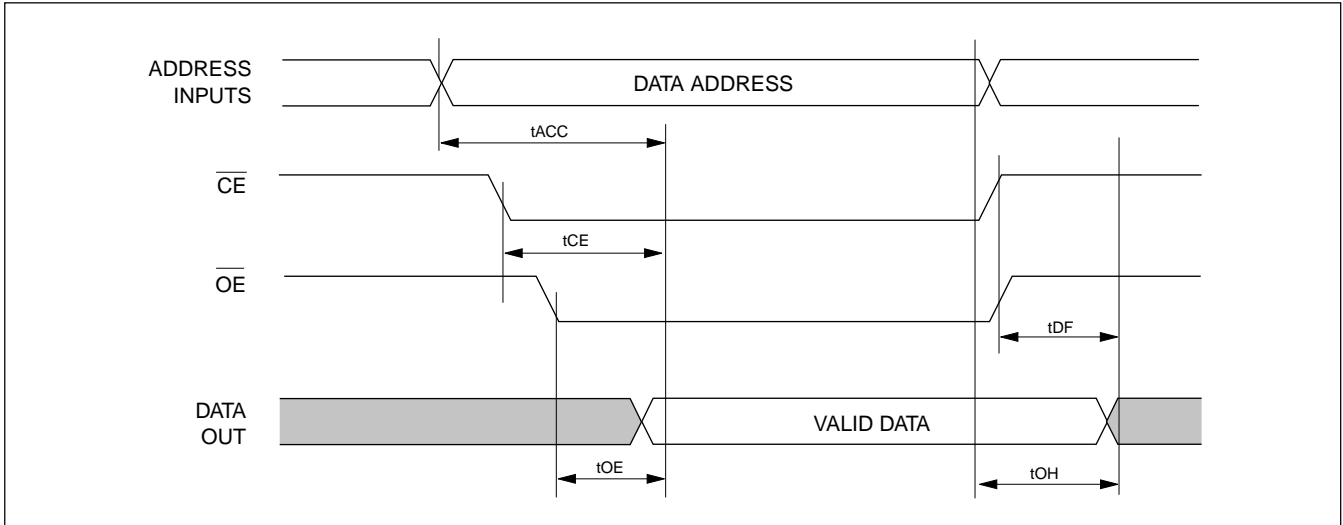
**DC PROGRAMMING CHARACTERISTICS**  $T_A = 25^\circ\text{C} \pm 5^\circ\text{C}$ 

SYMBOL	PARAMETER	MIN.	MAX.	UNIT	CONDITIONS
VOH	Output High Voltage	2.4		V	$I_{OH} = -0.40\text{mA}$
VOL	Output Low Voltage		0.4	V	$I_{OL} = 2.1\text{mA}$
VIH	Input High Voltage	2.0	$V_{CC} + 0.5$	V	
VIL	Input Low Voltage	-0.3	0.8	V	
ILI	Input Leakage Current	-10	10	$\mu\text{A}$	$V_{IN} = 0 \text{ to } 3.6\text{V}$
VH	A9 Auto Select Voltage	11.5	12.5	V	
ICC3	VCC Supply Current(Program & Verify)		40	mA	
IPP2	VPP Supply Current(Program)		30	mA	$\overline{CE} = V_{IL}, \overline{OE} = V_{IH}$
VCC1	Fast Programming Supply Voltage	6.00	6.50	V	
VPP1	Fast Programming Voltage	12.5	13.0	V	

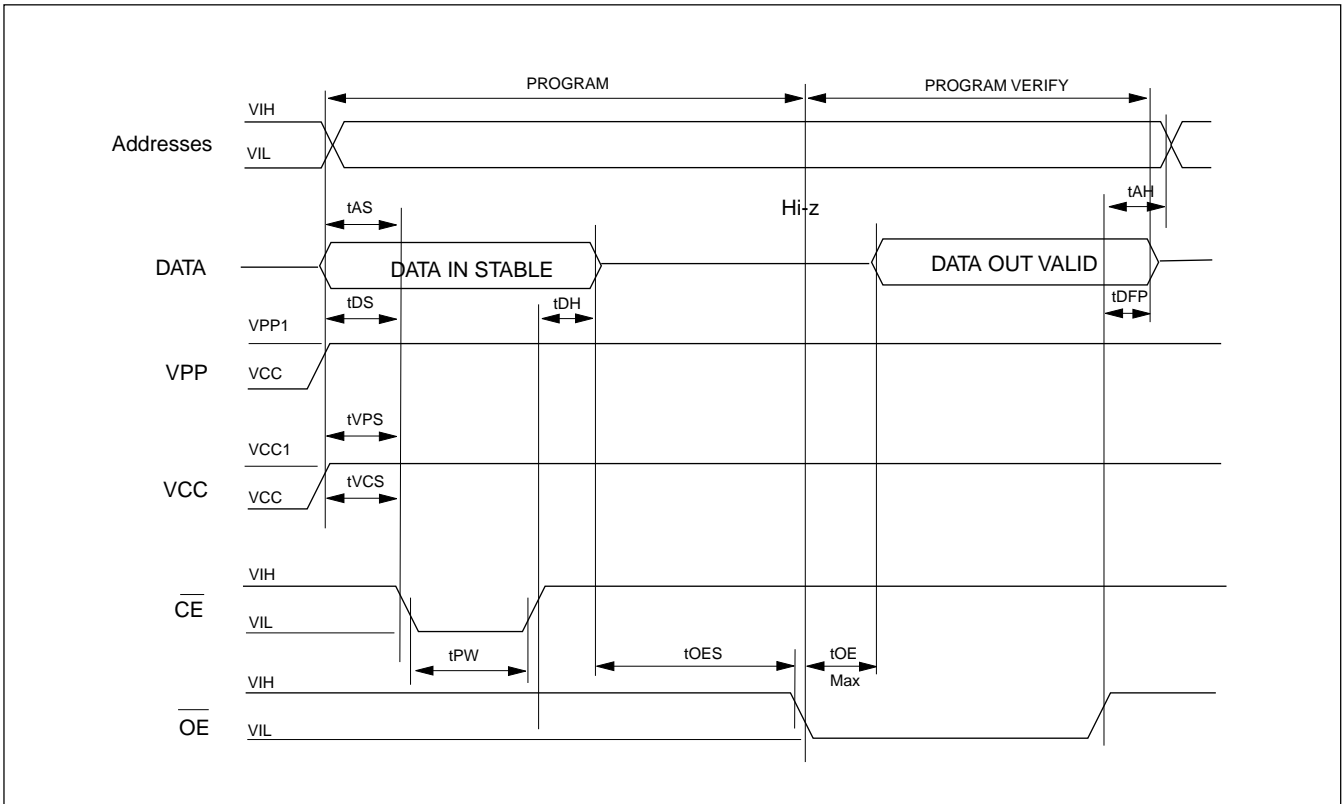
**AC PROGRAMMING CHARACTERISTICS**  $T_A = 25^\circ\text{C} \pm 5^\circ\text{C}$ 

SYMBOL	PARAMETER	MIN.	MAX.	UNIT	CONDITIONS
tAS	Address Setup Time	2.0		$\mu\text{s}$	
tOES	$\overline{OE}$ Setup Time	2.0		$\mu\text{s}$	
tDS	Data Setup Time	2.0		$\mu\text{s}$	
tAH	Address Hold Time	0		$\mu\text{s}$	
tDH	Data Hold Time	2.0		$\mu\text{s}$	
tDFP	Output Enable to Output Float Delay	0	130	ns	
tVPS	VPP Setup Time	2.0		$\mu\text{s}$	
tVCS	VCC Setup Time	2.0		$\mu\text{s}$	
tOE	Data Valid from $\overline{OE}$		150	ns	
tPW	$\overline{PGM}$ Program Pulse Width	95	105	$\mu\text{s}$	

## WAVEFORMS READ CYCLE



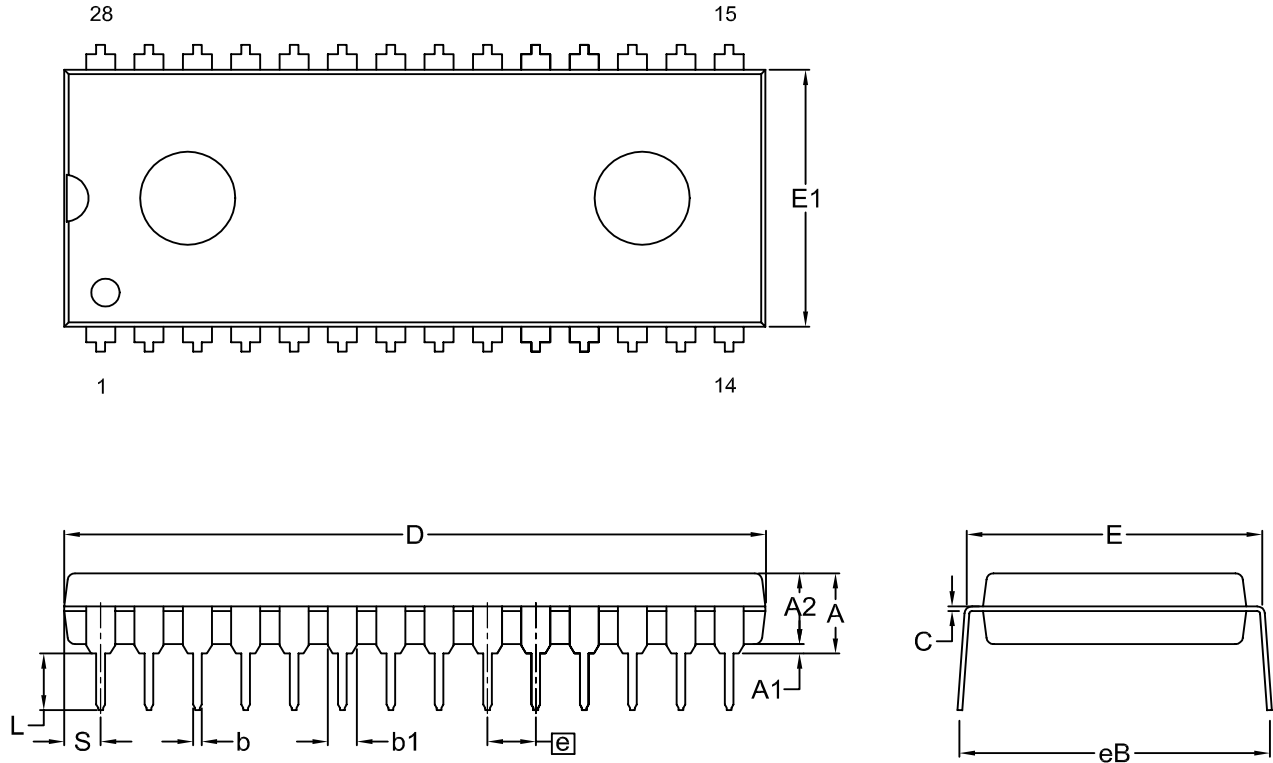
## FAST PROGRAMMING ALGORITHM WAVEFORM





**ORDERING INFORMATION**
**PLASTIC PACKAGE**

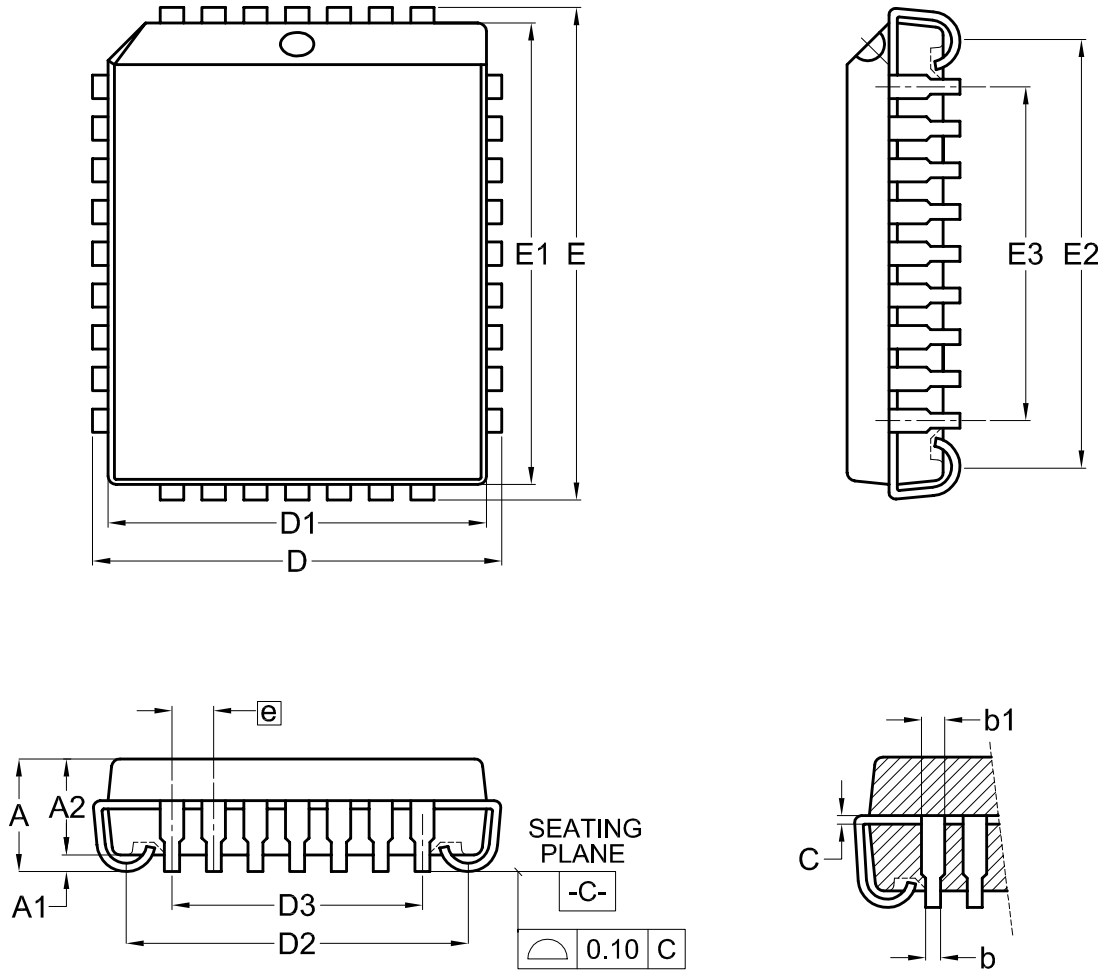
PART NO.	ACCESS TIME(ns)	OPERATING	STANDBY	OPERATING	PACKAGE
		CURRENT MAX.(mA)	CURRENT MAX.(uA)	TEMPERATURE	
MX27L256PC-12	120	10	10	0°C to 70°C	28 Pin DIP
MX27L256QC-12	120	10	10	0°C to 70°C	32 Pin PLCC
MX27L256TC-12	120	10	10	0°C to 70°C	28 Pin TSOP(I)
MX27L256PC-15	150	10	10	0°C to 70°C	28 Pin DIP
MX27L256QC-15	150	10	10	0°C to 70°C	32 Pin PLCC
MX27L256TC-15	150	10	10	0°C to 70°C	28 Pin TSOP(I)
MX27L256PC-20	200	10	10	0°C to 70°C	28 Pin DIP
MX27L256QC-20	200	10	10	0°C to 70°C	32 Pin PLCC
MX27L256TC-20	200	10	10	0°C to 70°C	28 Pin TSOP(I)
MX27L256PC-25	250	10	10	0°C to 70°C	28 Pin DIP
MX27L256QC-25	250	10	10	0°C to 70°C	32 Pin PLCC
MX27L256TC-25	250	10	10	0°C to 70°C	28 Pin TSOP(I)
MX27L256PI-12	120	10	10	-40°C to 85°C	28 Pin DIP
MX27L256QI-12	120	10	10	-40°C to 85°C	32 Pin PLCC
MX27L256TI-12	120	10	10	-40°C to 85°C	28 Pin TSOP(I)
MX27L256PI-15	150	10	10	-40°C to 85°C	28 Pin DIP
MX27L256QI-15	150	10	10	-40°C to 85°C	32 Pin PLCC
MX27L256TI-15	150	10	10	-40°C to 85°C	28 Pin TSOP(I)
MX27L256PI-20	200	10	10	-40°C to 85°C	28 Pin DIP
MX27L256QI-20	200	10	10	-40°C to 85°C	32 Pin PLCC
MX27L256TI-20	200	10	10	-40°C to 85°C	28 Pin TSOP(I)
MX27L256PI-25	250	10	10	-40°C to 85°C	28 Pin DIP
MX27L256QI-25	250	10	10	-40°C to 85°C	32 Pin PLCC
MX27L256TI-25	250	10	10	-40°C to 85°C	28 Pin TSOP(I)

**PACKAGE INFORMATION**
**Title: Package Outline for PDIP 28L(600MIL)**


Dimensions (inch dimensions are derived from the original mm dimensions)

SYMBOL		A	A1	A2	b	b1	C	D	E	E1	e	eB	L	S
UNIT														
mm	Min.	---	0.51	3.73	0.38	1.40	0.20	36.96	15.11	13.84		15.75	2.92	1.78
	Nom.	---	0.64	3.94	0.46	1.52	0.25	37.08	15.24	13.97	2.54	16.51	3.30	2.03
	Max.	4.90	0.76	4.14	0.53	1.65	0.30	37.21	15.37	14.10		17.27	3.68	2.29
Inch	Min.	---	0.020	0.147	0.015	0.055	0.008	1.455	0.595	0.545		0.620	0.115	0.070
	Nom.	---	0.025	0.155	0.018	0.060	0.010	1.460	0.600	0.550	0.100	0.650	0.130	0.080
	Max.	0.193	0.030	0.163	0.021	0.065	0.012	1.465	0.605	0.555		0.680	0.145	0.090

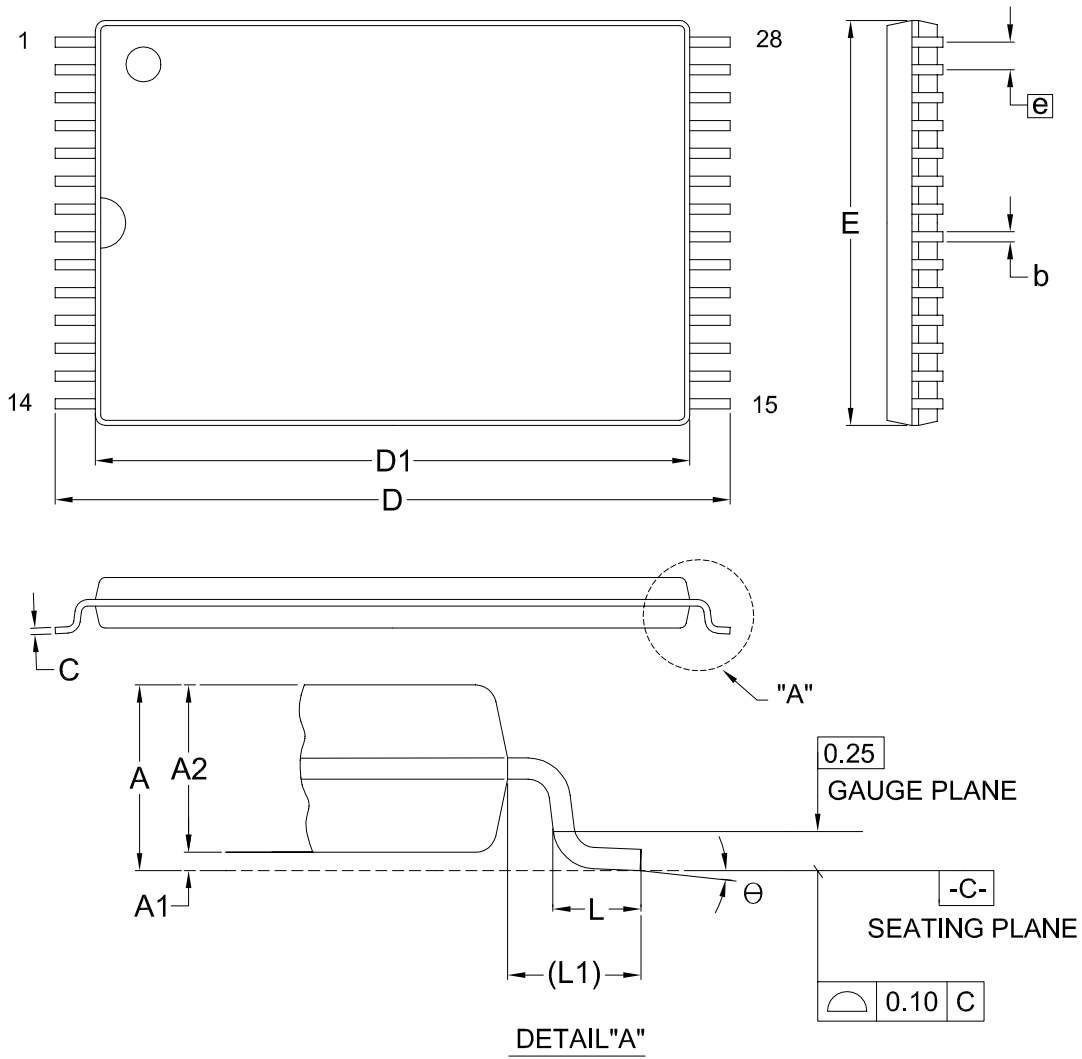
DWG.NO.	REVISION	REFERENCE			ISSUE DATE
		JEDEC	EIAJ		
6110-0202.1	5				07-04-'02

**Title: Package Outline for 32L PLCC**


Dimensions (inch dimensions are derived from the original mm dimensions)

SYMBOL		A	A1	A2	b	b1	C	D	D1	D2	D3	E	E1	E2	E3	e
UNIT																
mm	Min.	---	0.38	2.69	0.38	0.61	0.20	12.32	11.36	10.11		14.86	13.98	12.65		
	Nom.	---	0.58	2.79	0.46	0.71	0.25	12.45	11.43	10.41	7.62	14.99	14.05	12.95	10.16	1.27
	Max.	3.55	0.81	2.89	0.54	0.81	0.30	12.58	11.50	10.71			15.12	14.12	13.25	
Inch	Min.	---	0.015	0.106	0.015	0.024	0.008	0.485	0.447	0.398		0.585	0.550	0.498		
	Nom.	---	0.023	0.110	0.018	0.028	0.010	0.490	0.450	0.410	0.300	0.590	0.553	0.510	0.400	0.050
	Max.	0.140	0.032	0.114	0.021	0.032	0.012	0.495	0.453	0.422			0.595	0.556	0.522	

DWG.NO.	REVISION	REFERENCE			ISSUE DATE
		JEDEC	EIAJ		
6110-2002	6	MS-016			08-15-'03

**Title: Package Outline for TSOP(I) 28L (8X13.4mm)**


Dimensions (inch dimensions are derived from the original mm dimensions)

SYMBOL		A	A1	A2	b	C	D	D1	E	e	L	L1	$\theta$
UNIT													
mm	Min.	---	0.05	0.95	0.17	0.10	13.20	11.70	7.90		0.30	0.70	0
	Nom.	---	0.10	1.00	0.20	0.15	13.40	11.80	8.00	0.55	0.50	0.80	3
	Max.	1.20	0.15	1.05	0.27	0.21	13.60	11.90	8.10		0.70	0.90	5
Inch	Min.	---	0.002	0.037	0.007	0.004	0.520	0.461	0.311		0.012	0.028	0
	Nom.	---	0.004	0.039	0.008	0.006	0.528	0.465	0.315	0.022	0.020	0.031	3
	Max.	0.047	0.006	0.041	0.011	0.008	0.535	0.469	0.319		0.028	0.035	5

DWG.NO.	REVISION	REFERENCE			ISSUE DATE
		JEDEC	EIAJ		
6110-1601	6	MO-183			11-19-'02

**REVISION HISTORY**

<b>Revision No.</b>	<b>Description</b>	<b>Page</b>	<b>Date</b>
3.0	1) Eliminate Interactive Programming Mode. 2) Add 28-TSOP(I) package offering 3) AC driving levels are changed from 2.4V/0.3V to 2.4V/0.4V.		6/17/1997
3.1	IPP1 100uA-->10uA		7/17/1997
3.2	Cancel Ceramic DIP Package Type	P1,2,9,11	FEB/29/2000
3.3	Remove 28-pin SOP Package Package Information format changed	P1,9 P10~12	SEP/19/2001
3.4	Remove "ultraviolet erasable" wording	P1	APR/24/2002
3.5	To modify Package Information	P10~12	NOV/19/2002
3.6	To modify 32-PLCC package information A1: from 0.50mm(0.020 inch)/nom. to 0.58mm(0.023 inch)/nom. from 0.66mm(0.026 inch)/nom. to 0.81mm(0.032 inch)/nom.	P11	AUG/26/2003



**MX27L256**

---

---

## **MACRONIX INTERNATIONAL Co., LTD.**

**HEADQUARTERS:**

TEL:+886-3-578-6688

FAX:+886-3-563-2888

**EUROPE OFFICE:**

TEL:+32-2-456-8020

FAX:+32-2-456-8021

**JAPAN OFFICE:**

TEL:+81-44-246-9100

FAX:+81-44-246-9105

**SINGAPORE OFFICE:**

TEL:+65-348-8385

FAX:+65-348-8096

**TAIPEI OFFICE:**

TEL:+886-2-2509-3300

FAX:+886-2-2509-2200

**MACRONIX AMERICA, INC.**

TEL:+1-408-453-8088

FAX:+1-408-453-8488

**CHICAGO OFFICE:**

TEL:+1-847-963-1900

FAX:+1-847-963-1909

**[http : //www.macronix.com](http://www.macronix.com)**