

# 2SA1489

## Silicon PNP Epitaxial Planar

☆ Complement to type 2SC3853

T-33-21

### Application Example :

Audio and General Purpose

● Outline Drawing 2.....MT-100(TO3P)

### Absolute Maximum Ratings (Ta=25°C)

Symbol	2SA1489	Unit
V <sub>CB0</sub>	-80	V
V <sub>CEO</sub>	-80	V
V <sub>EB0</sub>	-6	V
I <sub>C</sub>	-6	A
I <sub>B</sub>	-3	A
P <sub>C</sub>	60 (T <sub>C</sub> = 25°C)	W
T <sub>J</sub>	150	°C
T <sub>stg</sub>	-55~+150	°C

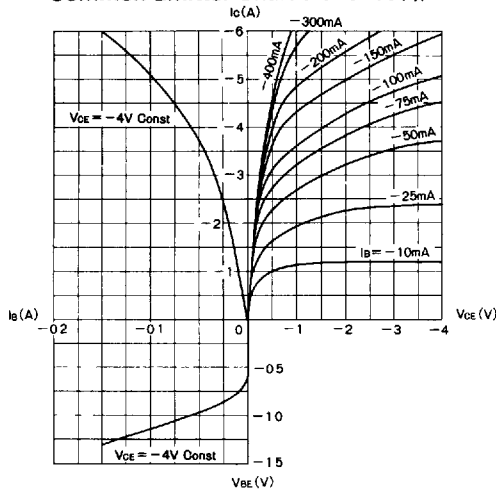
### Electrical Characteristics (Ta=25°C)

Symbol	Conditions	2SA1489	Unit
I <sub>CB0</sub>	V <sub>CB</sub> =-80V	-100max	μA
I <sub>EB0</sub>	V <sub>EB</sub> =-6V	-100max	μA
V <sub>BRCEO</sub>	I <sub>C</sub> =-50mA	-80min	V
h <sub>FE</sub>	V <sub>CE</sub> =-4V, I <sub>C</sub> =-2A	50min	
V <sub>CE(sat)</sub>	I <sub>C</sub> =-2A, I <sub>B</sub> =-0.2A	-1.5max	V
f <sub>T</sub>	V <sub>CE</sub> =-12V, I <sub>E</sub> =0.5A	20typ	MHz

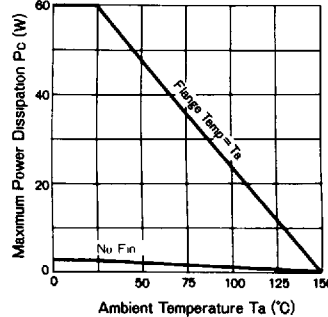
### Typical Switching Characteristics (Common Emitter)

V <sub>CC</sub> (V)	R <sub>L</sub> (Ω)	I <sub>C</sub> (A)	V <sub>BB1</sub> (V)	V <sub>BB2</sub> (V)	I <sub>B1</sub> (A)	I <sub>B2</sub> (A)	t <sub>on</sub> (μs)	t <sub>stg</sub> (μs)	t <sub>r</sub> (μs)
-30	10	-3	-10	5	-0.3	0.3	0.25typ	0.5typ	0.1typ

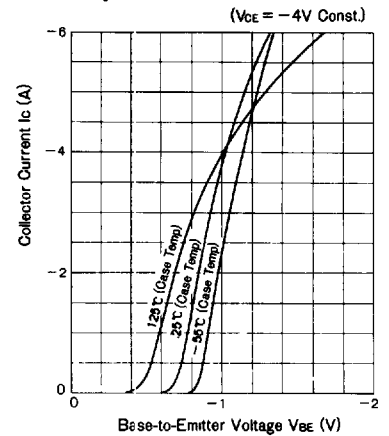
### Common Emitter Characteristics (Typical Value)



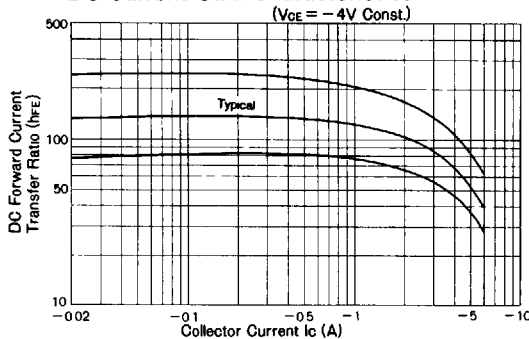
### Power Derating



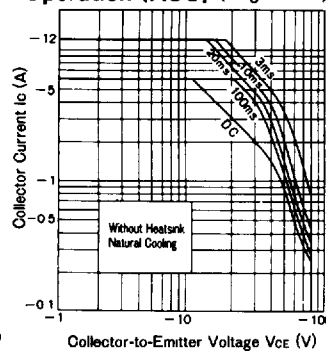
### Temperature Characteristics



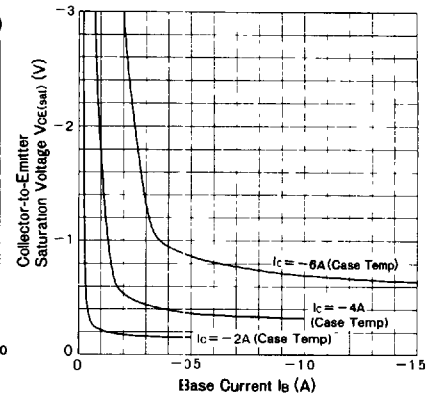
### DC Current Gain Characteristics



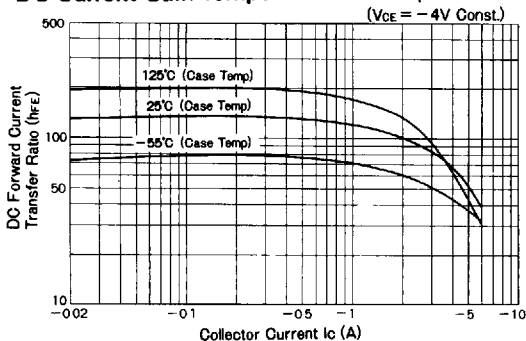
### Maximum Areas For Safe Operation (ASO) (Single Pulse)



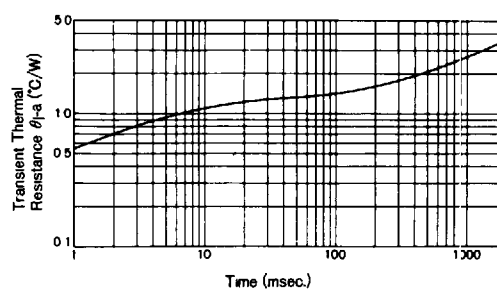
### VCE(sat) - Ib Characteristics (Typical Value)



### DC Current Gain Temperature Characteristics



### Transient Thermal Resistance Characteristics



T-91-20

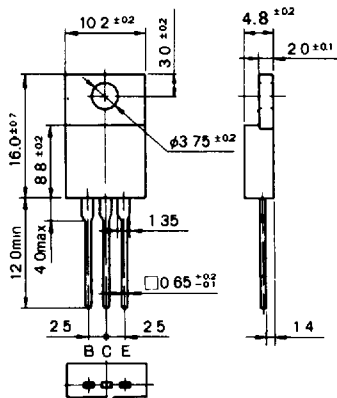
# Outline Drawings/Accessories

## Outline Drawing

- Nonflammability: UL94V-0 or equivalent
- Unit: in mm

### Outline Drawing 1

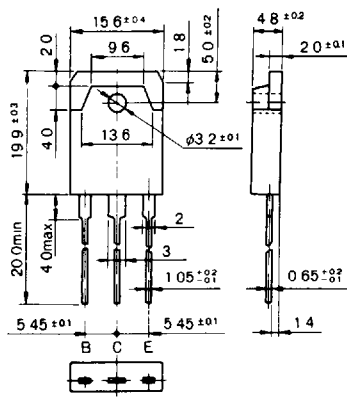
MT-25(T0220)



Weight: Approx. 2.6g

### Outline Drawing 2

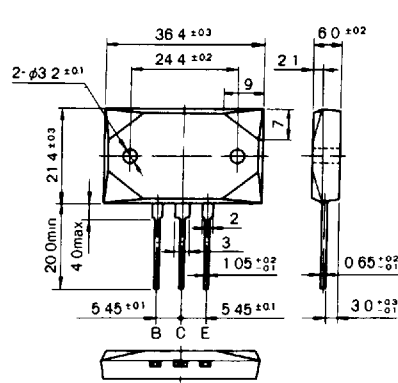
MT-100(T03P)



Weight: Approx. 6.0g

### Outline Drawing 3

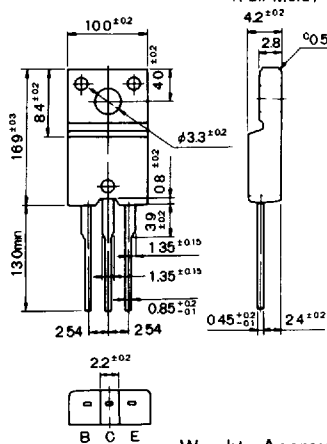
MT-200



Weight: Approx. 18.4g

### Outline Drawing 4

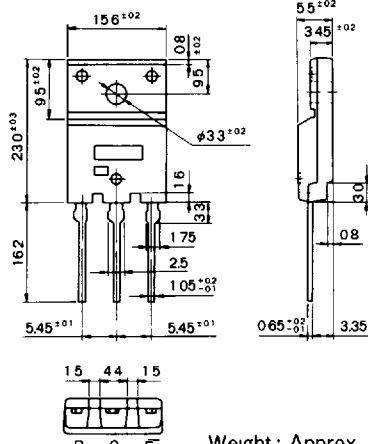
FM20 (Full Mold)



Weight: Approx. 2.0g

### Outline Drawing 5

FM100 (Full Mold)



Weight: Approx. 6.5g

## Accessories

☆Sanken Transistors do not include accessories. Accessories may be attached at a cost if requested.

☆Sanken transistor case is a standard size, and can replace any generally sold product.

- Heatsink: Mica, with a thickness of 0.06 mm, +0.045 -0.005 allowance

- Insulation Bush for MT-25 (T0220)

Type Name: Molded (10) Mica    Type Name: Molded (14) Mica    Type Name: Molded (9) Mica

