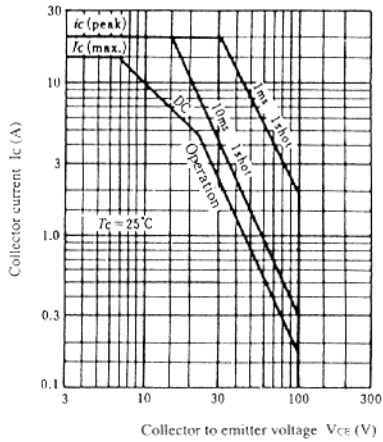


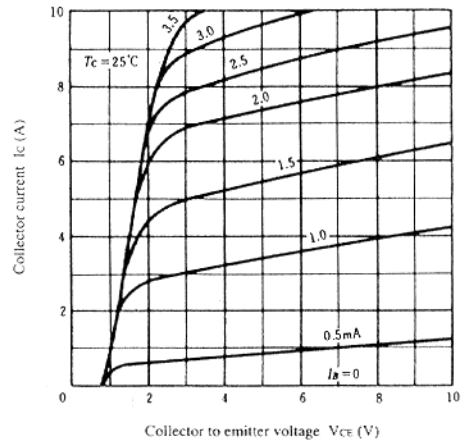


## 2SD1435 Ⓚ

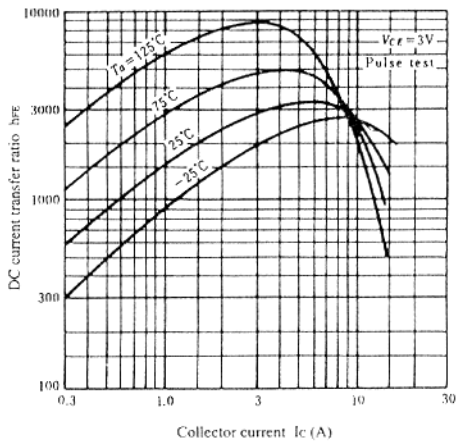
AREA OF SAFE OPERATION



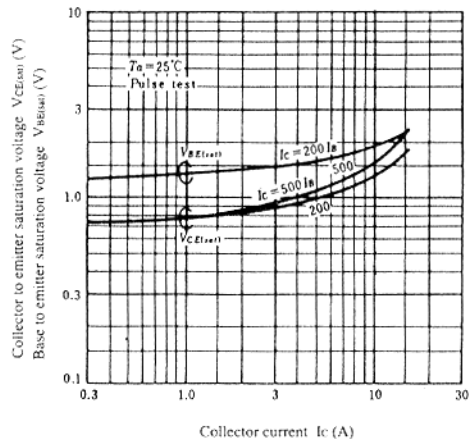
TYPICAL OUTPUT CHARACTERISTICS



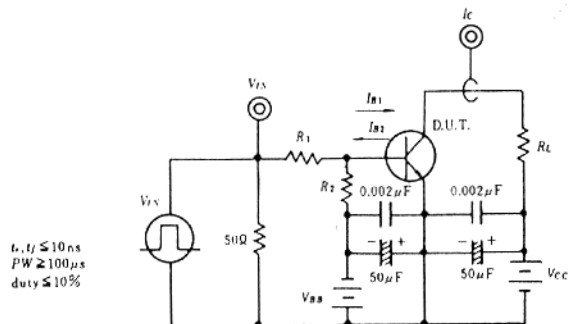
DC CURRENT TRANSFER RATIO VS. COLLECTOR CURRENT



SATURATION VOLTAGE VS. COLLECTOR CURRENT



SWITCHING TIME TEST CIRCUIT



$I_C$	$I_{B1}$	$I_{B2}$	$V_{CC}$	$V_{BE}$	$V_{IN}$	$R_L$	$R_1$	$R_2$
A	mA	mA	V	V	V	$\Omega$	$\Omega$	$\Omega$
R	16	-16	20	-8	10	2	400	1k

RESPONSE WAVEFORM

