



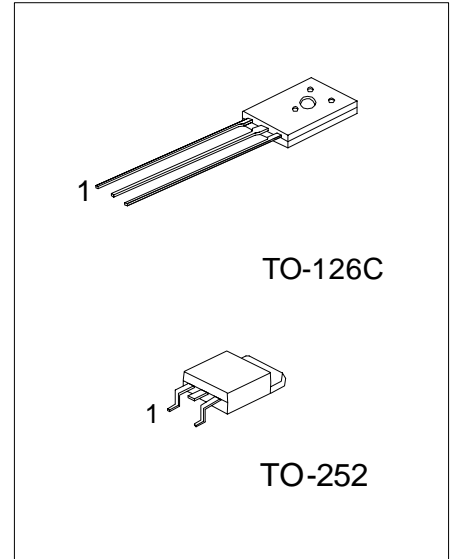
2SB857

PNP SILICON TRANSISTOR

SILICON PNP TRANSISTOR

DESCRIPTION

Low frequency power amplifier.



*Pb-free plating product number: 2SB857L

ORDERING INFORMATION

Order Number		Package	Pin Assignment			Packing
Normal	Lead Free Plating		1	2	3	
2SB857-x-T6C-K	2SB857L-x-T6C-K	TO-126C	E	C	B	Bulk
2SB857-x-TN3-R	2SB857L-x-TN3-R	TO-252	B	C	E	Tape Reel
2SB857-x-TN3-T	2SB857L-x-TN3-T	TO-252	B	C	E	Tube

<p>2SB857L-x-T6C-K</p>	<p>(1) Packing Type (2) Package Type (3) Rank (4) Lead Plating</p> <p>(1) K: Bulk, R: Tape Reel, T: Tube (2) T6C: TO-126C, TN3: TO-252 (3) x: refer to Classification of h_{FE2} (4) L: Lead Free Plating, Blank: Pb/Sn</p>
------------------------	--

■ ABSOLUTE MAXIMUM RATING (Ta=25)

PARAMETER	SYMBOL	RATINGS	UNIT
Collector-Base Voltages	V_{CBO}	-130	V
Collector-Emitter Voltage	V_{CEO}	-100	V
Emitter-Base Voltage	V_{EBO}	-5	V
Collector Current	I_C	-4	A
Collector Current (I_C Peak)	$I_{C(PK)}$	-8	A
Total Power Dissipation	TO-126C	P_D	1.5
	TO-252		1.9
Junction Temperature	T_J	+150	
Storage Temperature	T_{STG}	-40 ~ +150	

Note Absolute maximum ratings are those values beyond which the device could be permanently damaged. Absolute maximum ratings are stress ratings only and functional device operation is not implied.

■ ELECTRICAL CHARACTERISTICS (Ta=25)

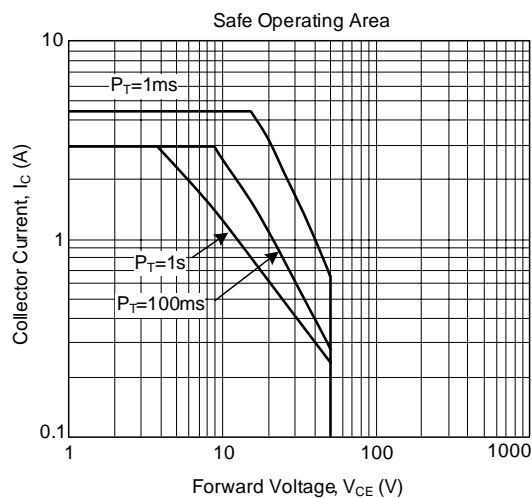
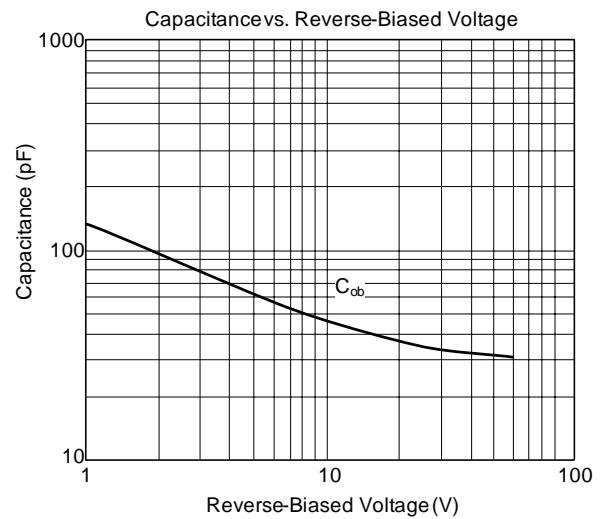
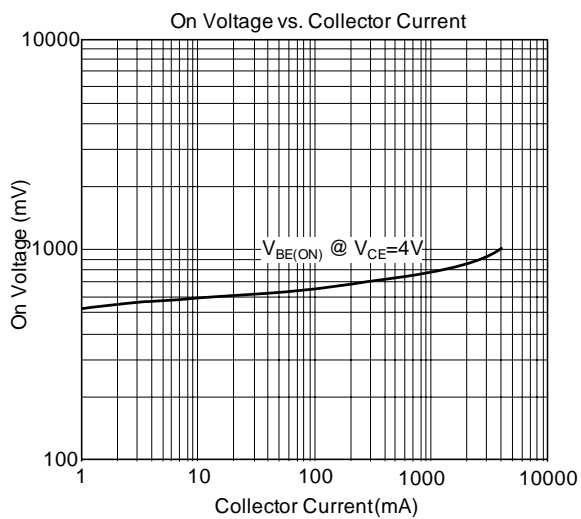
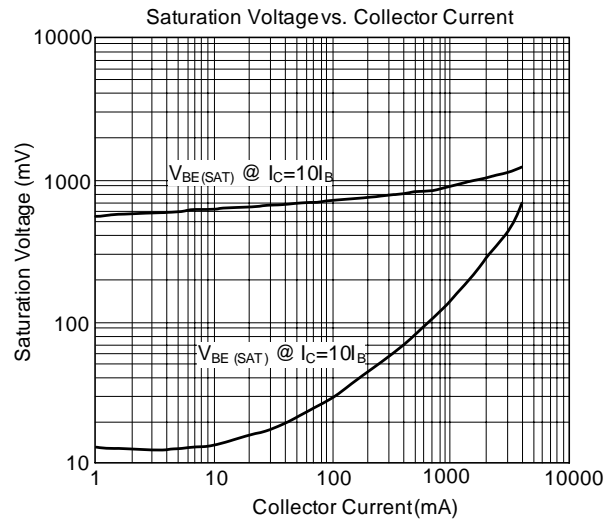
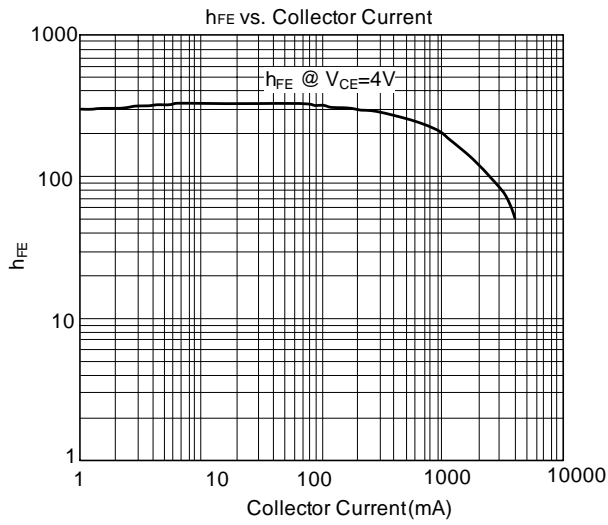
PARAMETER	SYMBOL	TEST CONDITIONS	MIN	TYP	MAX	UNIT
Collector-Base Breakdown Voltage	BV_{CBO}	$I_C=-10\mu A, I_E=0$	-130			V
Collector-Emitter Breakdown Voltage	BV_{CEO}	$I_C=-50mA, I_B=0$	-100			V
Emitter-Base Breakdown Voltage	BV_{EBO}	$I_E=-10\mu A, I_C=0$	-5			V
Collector-Emitter Saturation Voltage	$*V_{CE(SAT)}$	$I_C=-2A, I_B=-0.2A$			-1	V
Base-Emitter Saturation Voltage	$*V_{BE(ON)}$	$V_{CE}=-4V, I_C=-1A$			-1	V
Collector Cut-off Current	I_{CBO}	$V_{CB}=-130V, I_C=0$			-1	μA
DC Current Gain	$*h_{FE1}$	$V_{CE}=-4V, I_C=-0.1A$	35			
	$*h_{FE2}$	$V_{CE}=-4V, I_C=-1A$	60		320	
Transition Frequency	f_T	$V_{CE}=-4V, I_C=-500mA, f=100MHz$		15		MHz

Note *Pulse Test: Pulse Width 380 μ S, Duty Cycle 2%.

■ CLASSIFICATION OF h_{FE2}

CLASSIFICATION	B	C	D
RANGE	60 ~ 120	100 ~ 200	160 ~ 320

TYPICAL CHARACTERISTICS



UTC assumes no responsibility for equipment failures that result from using products at values that exceed, even momentarily, rated values (such as maximum ratings, operating condition ranges, or other parameters) listed in products specifications of any and all UTC products described or contained herein. UTC products are not designed for use in life support appliances, devices or systems where malfunction of these products can be reasonably expected to result in personal injury. Reproduction in whole or in part is prohibited without the prior written consent of the copyright owner. The information presented in this document does not form part of any quotation or contract, is believed to be accurate and reliable and may be changed without notice.