

# 2SC4960, 2SC4960A

Silicon NPN triple diffusion planar type

For power switching

## ■ Features

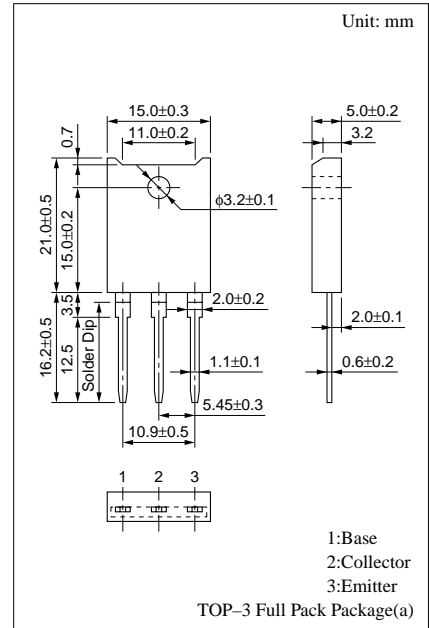
- High-speed switching
- High collector to base voltage  $V_{CBO}$
- Satisfactory linearity of forward current transfer ratio  $h_{FE}$
- Full-pack package with outstanding insulation, which can be installed to the heat sink with one screw

## ■ Absolute Maximum Ratings ( $T_C=25^\circ\text{C}$ )

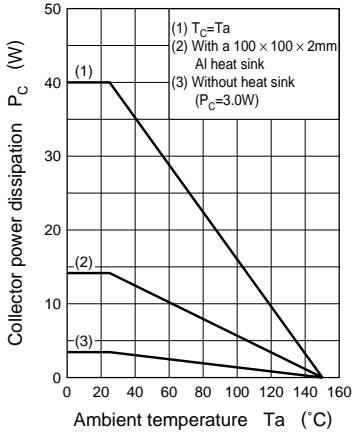
Parameter	Symbol	Rated	Unit	
Collector to base voltage	2SC4960 2SC4960A	$V_{CBO}$	900	V
			900	
Collector to emitter voltage		$V_{CES}$	900	V
Collector to emitter voltage	2SC4960 2SC4960A	$V_{CEO}$	800	V
			900	
Emitter to base voltage		$V_{EBO}$	7	V
Peak collector current		$I_{CP}$	2	A
Collector current		$I_C$	1	A
Base current		$I_B$	0.3	A
Collector power dissipation	$T_C=25^\circ\text{C}$ $T_a=25^\circ\text{C}$	$P_C$	40	W
			3	
Junction temperature		$T_j$	150	$^\circ\text{C}$
Storage temperature		$T_{stg}$	-55 to +150	$^\circ\text{C}$

## ■ Electrical Characteristics ( $T_C=25^\circ\text{C}$ )

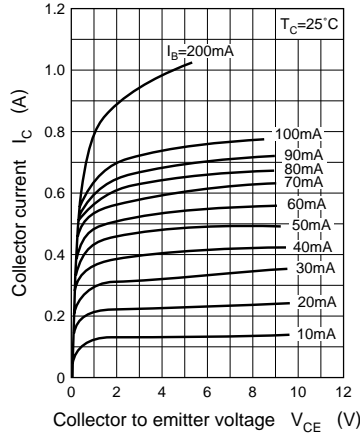
Parameter	Symbol	Conditions	min	typ	max	Unit
Collector cutoff current	$I_{CBO}$	$V_{CB} = 900\text{V}, I_E = 0$			50	$\mu\text{A}$
Emitter cutoff current	$I_{EBO}$	$V_{EB} = 7\text{V}, I_C = 0$			50	$\mu\text{A}$
Collector to emitter voltage	2SC4960 2SC4960A	$V_{CEO}$	$I_C = 1\text{mA}, I_B = 0$	800		V
			$I_C = 1\text{mA}, I_B = 0$	900		
Forward current transfer ratio	$h_{FE1}$ $h_{FE2}$	$V_{CE} = 5\text{V}, I_C = 0.05\text{A}$ $V_{CE} = 5\text{V}, I_C = 0.5\text{A}$	6			
			3			
Collector to emitter saturation voltage	$V_{CE(sat)}$	$I_C = 0.2\text{A}, I_B = 0.04\text{A}$			1.5	V
Base to emitter saturation voltage	$V_{BE(sat)}$	$I_C = 0.2\text{A}, I_B = 0.04\text{A}$			1	V
Transition frequency	$f_T$	$V_{CE} = 10\text{V}, I_C = 0.05\text{A}, f = 1\text{MHz}$		4		MHz
Turn-on time	$t_{on}$	$I_C = 0.2\text{A}, I_{B1} = 0.04\text{A}, I_{B2} = -0.08\text{A}, V_{CC} = 250\text{V}$			1	$\mu\text{s}$
Storage time	$t_{stg}$				3	$\mu\text{s}$
Fall time	$t_f$				1	$\mu\text{s}$



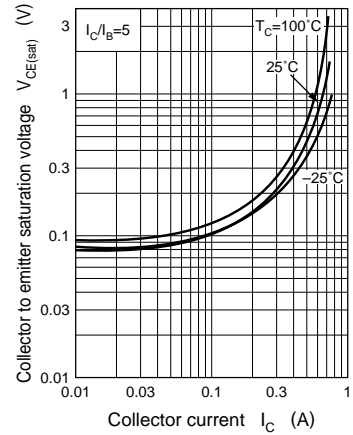
$P_C - T_a$



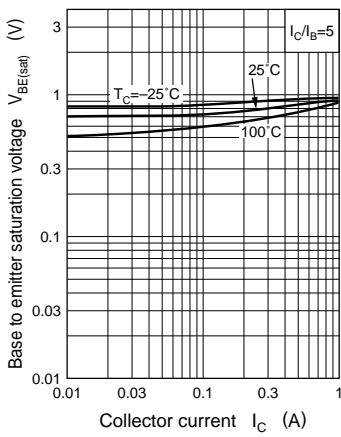
$I_C - V_{CE}$



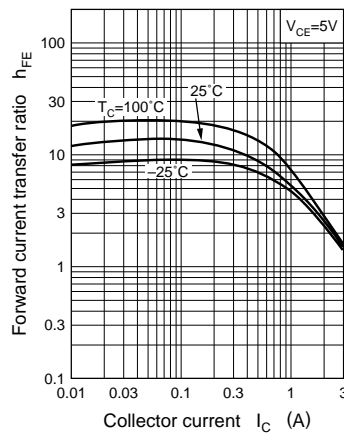
$V_{CE(sat)} - I_C$



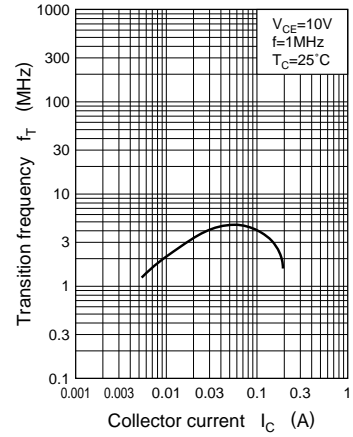
$V_{BE(sat)} - I_C$



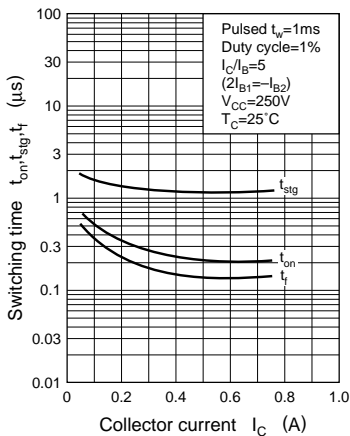
$h_{FE} - I_C$



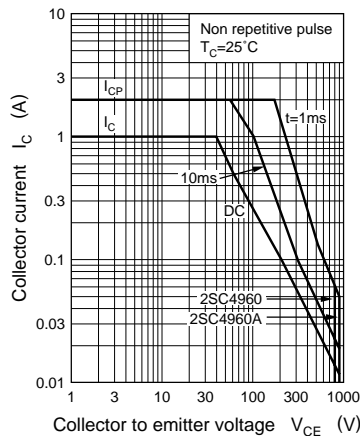
$f_T - I_C$



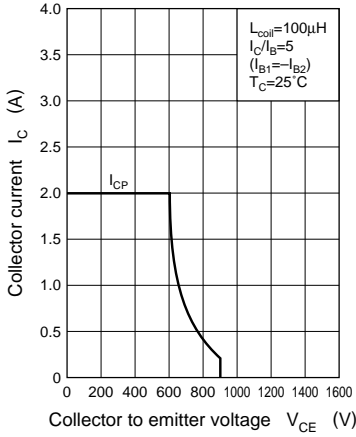
$t_{on}, t_{stg}, t_f - I_C$



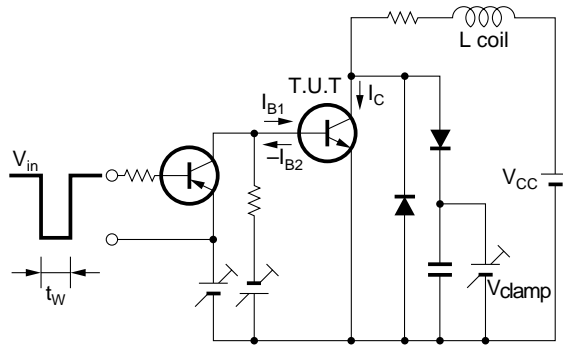
Area of safe operation (ASO)



Area of safe operation, reverse bias ASO



Reverse bias ASO measuring circuit



$R_{th(t)} - t$

