



## 2SD718

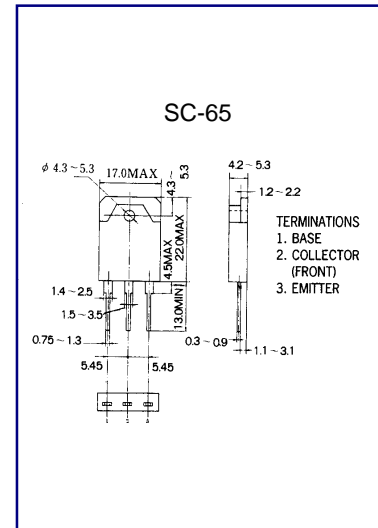
## NPN PLANAR SILICON TRANSISTOR

### AUDIO POWER AMPLIFIER DC TO DC CONVERTER

- High Current Capability
- High Power Dissipation
- Complementary to 2SB688

### ABSOLUTE MAXIMUM RATING ( $T_A=25^\circ\text{C}$ )

Characteristic	Symbol	Rating	Unit
Collector-Base Voltage	VCBO	160	V
Collector-Emitter Voltage	VCEO	120	V
Emitter-Base voltage	VEBO	6	V
Collector Current (DC)	IC	8	A
Collector Dissipation	Pc	80	W
Junction Temperature	Tj	150	°C
Storage Temperature	Tstg	-55~150	°C



### ELECTRICAL CHARACTERISTICS ( $T_A=25^\circ\text{C}$ )

Characteristic	Symbol	Test Condition	Min	Typ	Max	Unit
Collector Base Breakdown Voltage	BVCBO	IC=5 mA IE=0	160			V
Collector Emitter Breakdown Voltage	BVCEO	IC=10 mA RBE= $\infty$	120			V
Emitter Base Breakdown Voltage	BVEBO	IE=5mA IC=0	6			V
Collector Cutoff Current	ICBO	VCB=60V IE=0			0.1	mA
Emitter Cutoff Current	IEBO	VEB=4V IC=0			0.1	mA
*DC Current Gain	hFE1	VCE=5V IC=1A	55		160	
DC Current Gain	hFE2	VCE=5V IC=3A	50			
Collector- Emitter Saturation Voltage	VCE(sat)	IC=3A IB=0.3A			1.5	V