

6

5

4

3

2

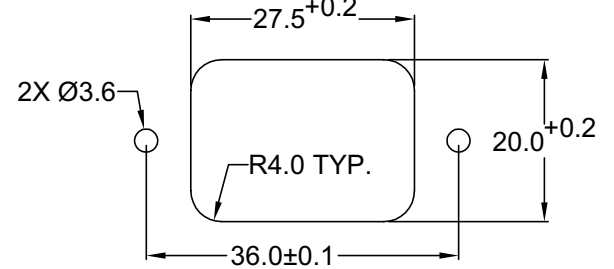
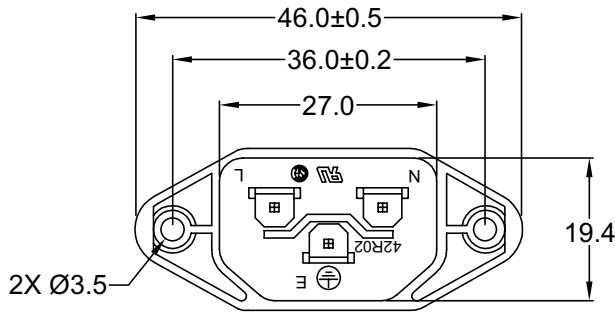
1

MATERIAL AND FINISH

Insulator: Polycarbonate, UL-94V-0 rated
Contacts: Brass, Nickel plated

ELECTRICAL SPECIFICATIONS:

Current rating: 10 A
Voltage rating: 250 VAC
Current rating: 15 A
Voltage rating: 250 VAC



RECOMMENDED
PANEL CUTOUT

ORDERING CODE:

42R02-1 1 2 3

1 = TERMINAL OPTIONS

- 1 = .187(4.8)
- 2 = .250(6.3)

2 = COLOR

- 1 = BLACK
- 2 = GRAY

3 = ELECTRICAL CIRCUIT
CONFIGURATION

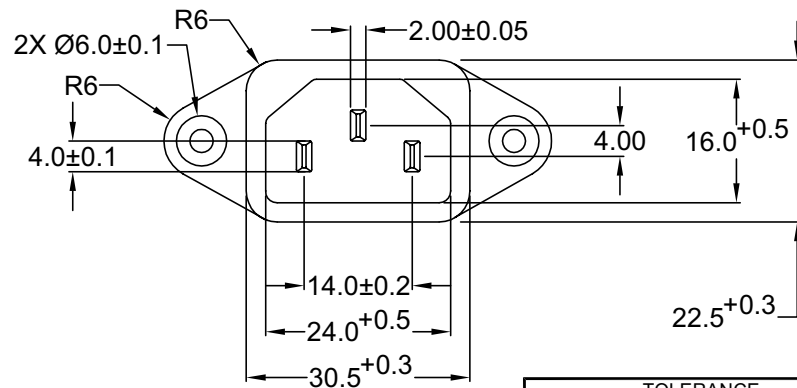
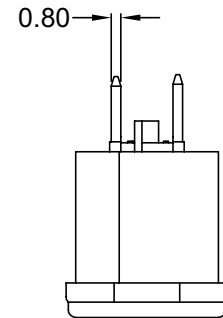
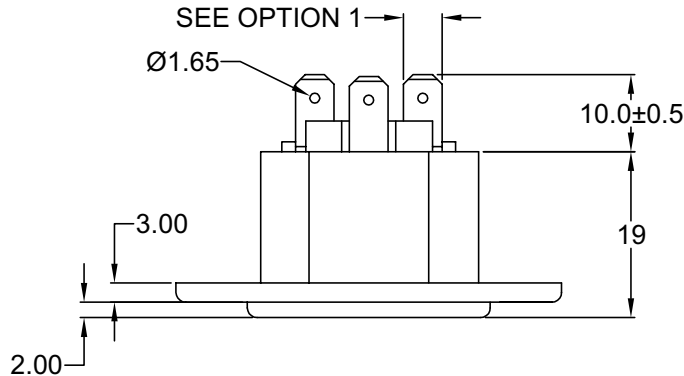
1 = 15A 250V 120°C
2+GROUND



2 = 15A 250V 70°C
2+GROUND



4 = 15A 250V 70°C
2 POLE



| | | | |
|---|--------|-------|---------|
| TOLERANCE UNLESS OTHERWISE SPECIFIED | | | |
| X | ± 1 | | |
| X.X | ± 0.4 | | |
| X.XX | ± 0.20 | | |
| DRAWN BY | GQ | DATE: | 8/3/01 |
| CHECK BY | TD | DATE: | 8/13/01 |
| APPR BY | PB | DATE: | 8/13/01 |

Power Dynamics, Inc.
Phone: 973 560-0019 Whippany, New Jersey Fax: 973 560-0070

PART: IEC 60320 C14 APPL. INLET; QUICK CONNECT
TERMINALS; SIDE FLANGED, PANEL MOUNT

42R02-1XXX

SIZE: A SCALE: NTS

ALL DIMENSIONS FOR REFERENCE ONLY
DIMENSIONS ARE IN MILLIMETERS

SHEET 1 of 1

D

C

B

A

| | | | | | |
|-----|------|--------|------|-------|------|
| REV | DATE | CHANGE | CHNG | CHECK | APPR |
| | | | | | |

6

5

4

3

2

1

6

5

4

3

2

1

MATERIAL AND FINISH

Insulator: Polycarbonate, UL-94V-0 rated
Contacts: Brass, Nickel plated

ELECTRICAL SPECIFICATIONS:

Current rating: 10 A
Voltage rating: 250 VAC
Current rating: 15 A
Voltage rating: 250 VAC

ORDERING CODE:

42R02-2
 1 2 3



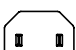
1 = TERMINAL OPTIONS

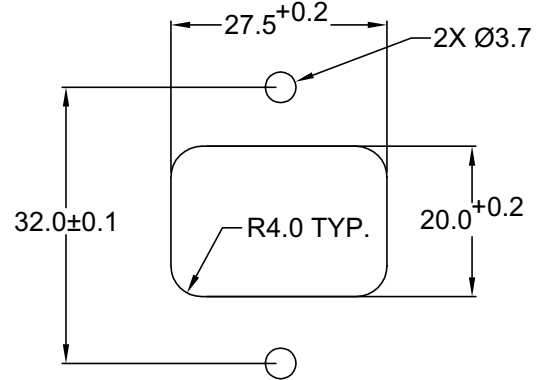
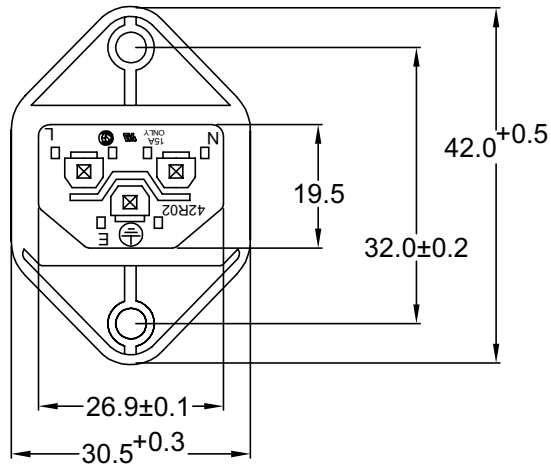
- 1 = .187(4.8)
- 2 = .250(6.3)

2 = COLOR

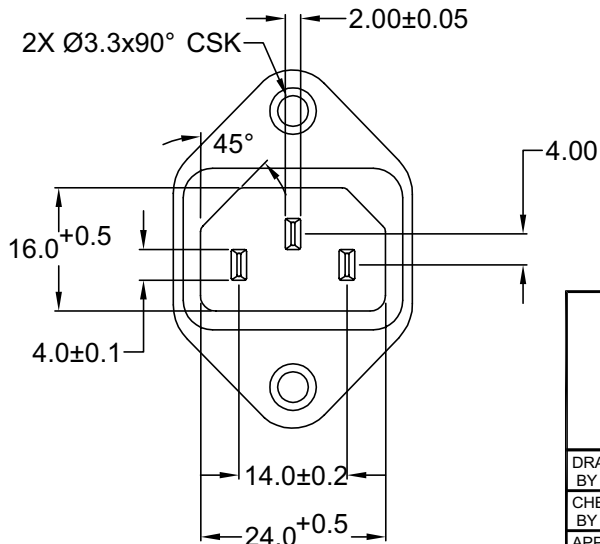
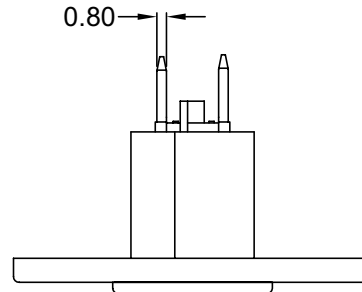
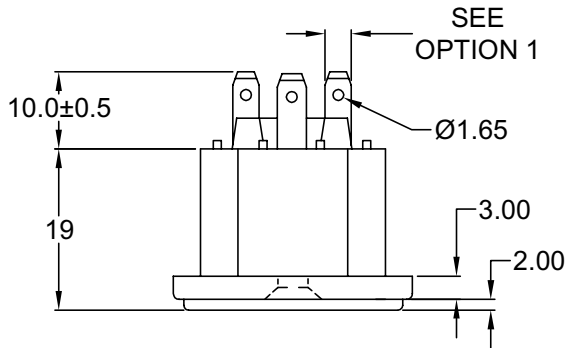
- 1 = BLACK
- 2 = GRAY

3 = ELECTRICAL CIRCUIT CONFIGURATION

- 1 = 15A 250V 120°C 2+GROUND 
- 2 = 15A 250V 70°C 2+GROUND 
- 4 = 15A 250V 70°C 2 POLE 



RECOMMENDED
PANEL CUTOUT



| | | |
|---|----|---------------|
| TOLERANCE UNLESS OTHERWISE SPECIFIED | | |
| X | ± | 1 |
| X.X | ± | 0.4 |
| X.XX | ± | 0.20 |
| DRAWN BY | GQ | DATE: 8/3/01 |
| CHECK BY | TD | DATE: 8/13/01 |
| APPR BY | PB | DATE: 8/13/01 |

Power Dynamics, Inc.

Phone: 973 560-0019 Whippany, New Jersey Fax: 973 560-0076

PART: IEC 60320 C14 APPL. INLET; QUICK CONNECT
TERMINALS; CROSS FLANGE

| | | |
|--------------------|--|--------------|
| PART #: 42R02-2XXX | | SHEET 1 of 1 |
| SIZE: A | ALL DIMENSIONS FOR REFERENCE ONLY DIMENSIONS ARE IN MILLIMETERS | |
| SCALE: NTS | REV: | |

D

C

B

A

| | | | | | |
|-----|------|--------|------|-------|------|
| REV | DATE | CHANGE | CHNG | CHECK | APPR |
| | | | | | |

6

5

4

3




2

1

MATERIAL AND FINISH

Insulator: Polycarbonate, UL-94V-0 rated
 Contacts: Brass, Nickel plated

ELECTRICAL SPECIFICATIONS:

Current rating: 10 A 
 Voltage rating: 250 VAC
 Current rating: 15 A 
 Voltage rating: 250 VAC 

ORDERING CODE:

42R02-3 -
 1 2 3 4




1 = TERMINAL OPTIONS

1 = .187(4.8)
 2 = .250(6.3)

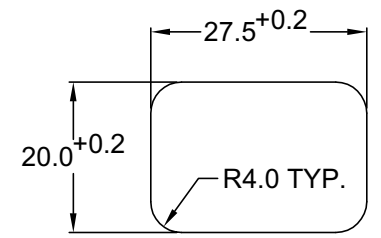
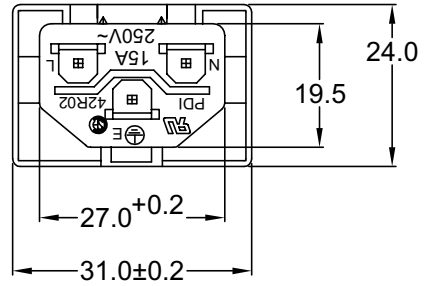
2 = COLOR

1 = BLACK
 2 = GRAY

3 = ELECTRICAL CIRCUIT CONFIGURATION

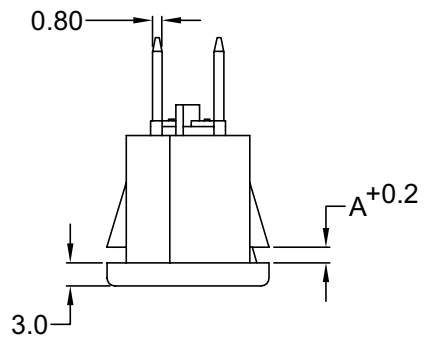
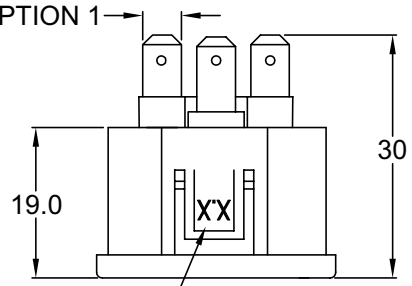
- 1 = 15A 250V 120°C  2+GROUND
- 2 = 15A 250V 70°C  2+GROUND
- 4 = 15A 250V 70°C  2 POLE

4 = PANEL THICKNESS

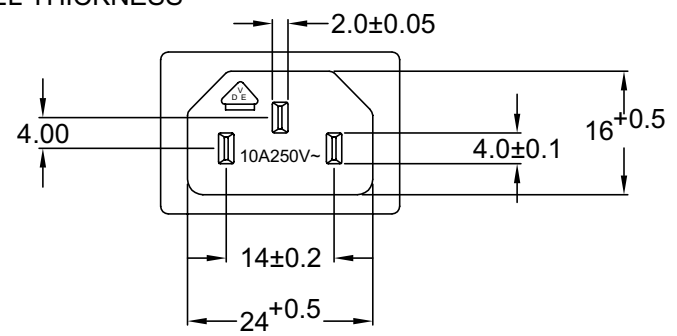


**RECOMMENDED
 PANEL CUTOUT**

SEE OPTION 1



REPLACE WITH
 CORRESPONDING
 PANEL THICKNESS



| P/N | A | MAX. PANEL THICKNESS |
|----------------|-----|----------------------|
| 42R02-3XXX-150 | 1.5 | 1.5 |
| 42R02-3XXX-200 | 2.0 | 2.0 |
| 42R02-3XXX-250 | 2.5 | 2.5 |

ADDITIONAL PANEL THICKNESS
 AVAILABLE ON REQUEST

| | |
|---|----------|
| TOLERANCE UNLESS OTHERWISE SPECIFIED | |
| X | ± 1 |
| X.X | ± 0.4 |
| X.XX | ± 0.20 |
| DRAWN BY | GQ |
| DATE: | 8/2/01 |
| CHECK BY | TD |
| DATE: | 08/14/01 |
| APPR BY | PB |
| DATE: | 08/14/01 |

Power Dynamics, Inc.
 Phone: 973 560-0019 Whippany, New Jersey Fax: 973 560-0076

PART: IEC 60320 CONNECTOR; QUICK
 CONNECT INLET; SNAP-IN

| | | |
|-------------------------------|--|-----------------|
| PART #: 42R02-3XXX-XXX | | SHEET 1 of 1 |
| SIZE: A | ALL DIMENSIONS FOR REFERENCE ONLY DIMENSIONS ARE IN MILLIMETERS | REV: |
| SCALE: NTS | | |

| | | | | |
|-----------|--------|------|------|------|
| REVISIONS | CHANGE | CHKG | CHKR | APPR |
| | REV | DATE | | |

6

5

4

3

2

1

MATERIAL AND FINISH

Insulator: Polycarbonate, UL-94V-0 rated
Contacts: Brass, Nickel plated

ELECTRICAL SPECIFICATIONS:

Current rating: 10 A

Voltage rating: 250 VAC



Current rating: 15 A

Voltage rating: 250 VAC



ORDERING CODE:

42R02-4
1 2 3

1 = TERMINAL OPTIONS

1 = .187(4.8)

2 = .250(6.3)

2 = COLOR

1 = BLACK

2 = GRAY

3 = ELECTRICAL CIRCUIT CONFIGURATION

1 = 15A 250V 120°C

2+GROUND



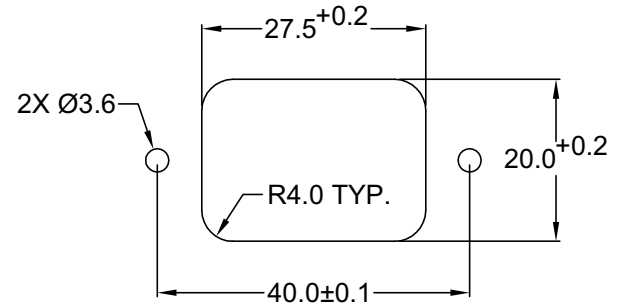
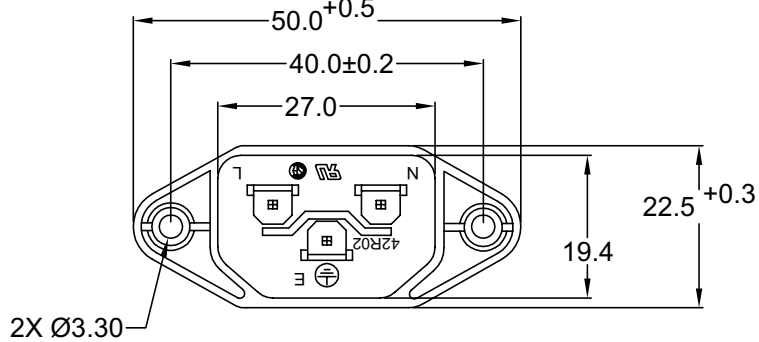
2 = 15A 250V 70°C

2+GROUND

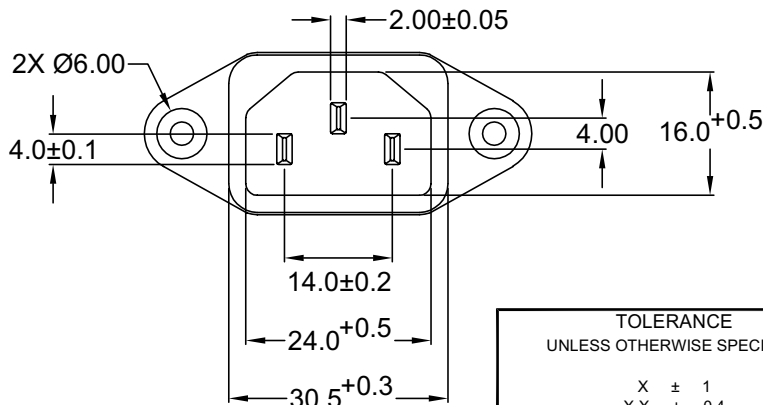
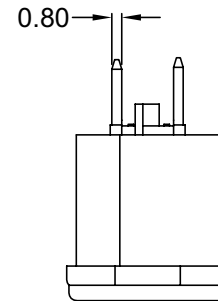
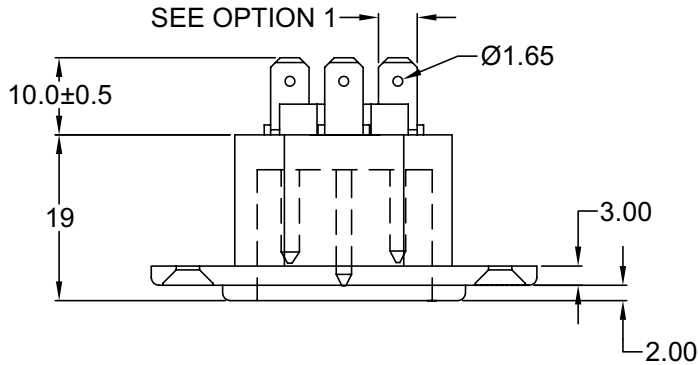


4 = 15A 250V 70°C

2 POLE



RECOMMENDED
PANEL CUT-OUT



| | | | |
|-----------|------|--------|------|
| REVISIONS | CHNG | CHECK | APPR |
| | DATE | CHANGE | |

| | | |
|---|----|---------------|
| TOLERANCE UNLESS OTHERWISE SPECIFIED | | |
| X | ± | 1 |
| X.X | ± | 0.4 |
| X.XX | ± | 0.20 |
| DRAWN BY | GQ | DATE: 8/6/01 |
| CHECK BY | TD | DATE: 8/13/01 |
| APPR BY | PB | DATE: 8/13/01 |

Power Dynamics, Inc.

Phone: 973 560-0019 Whippany, New Jersey Fax: 973 560-0076

PART: IEC 60320 C14 APPL. INLET; QUICK CONNECT
TERMINALS; SIDE FLANGE, PANEL MOUNT

| | | |
|--------------------|--|--------------|
| PART #: 42R02-4XXX | | SHEET 1 of 1 |
| SIZE: A | ALL DIMENSIONS FOR REFERENCE ONLY DIMENSIONS ARE IN MILLIMETERS | REV: |
| SCALE: NTS | | |

6

5

4

3

2

1

6

5

4

3




2

1

MATERIAL AND FINISH

Insulator: Polycarbonate, UL-94V-0 rated
Contacts: Brass, Nickel plated

ELECTRICAL SPECIFICATIONS:

Current rating: 10 A 
Voltage rating: 250 VAC
Current rating: 15 A 
Voltage rating: 250 VAC 

ORDERING CODE:

42R02-5
 1 2 3

1 = TERMINAL OPTIONS

- 1 = .187(4.8)
- 2 = .250(6.3)


2 = COLOR

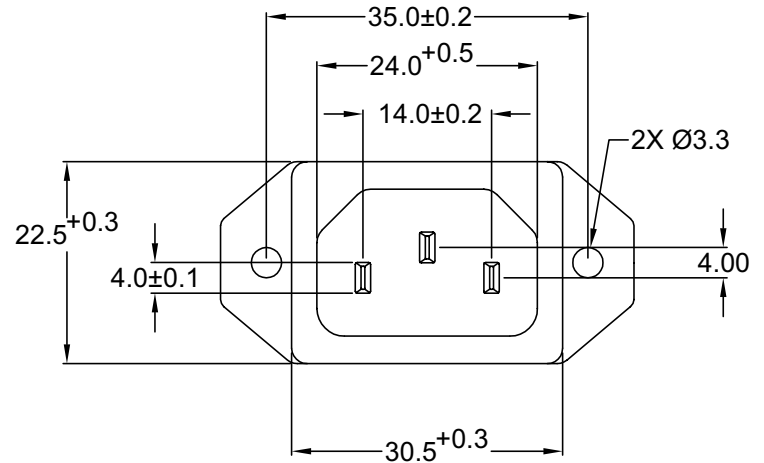
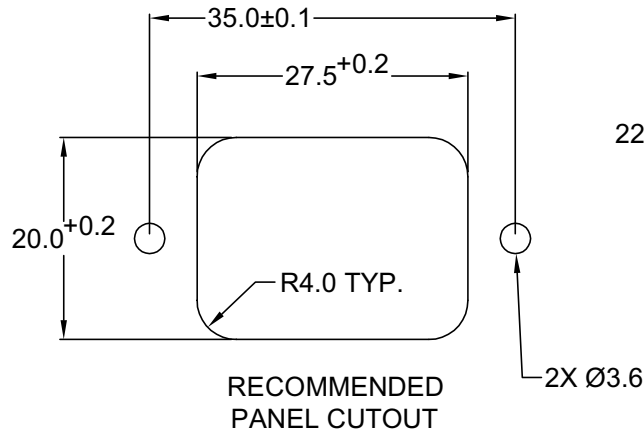
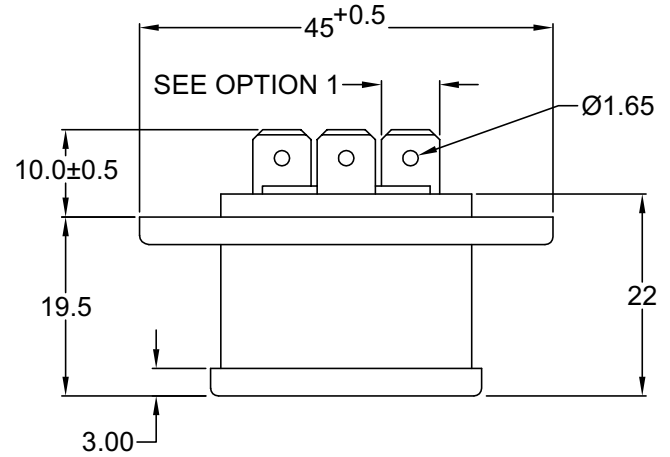
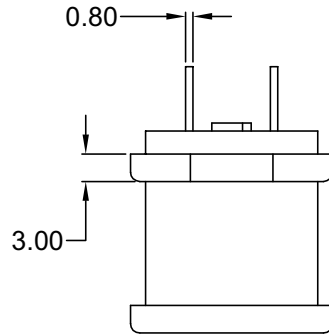
- 1 = BLACK
- 2 = GRAY

3 = ELECTRICAL CIRCUIT CONFIGURATION

1 = 15A 250V 120°C 2+GROUND 

2 = 15A 250V 70°C 2+GROUND 

4 = 15A 250V 70°C 2 POLE 



| | | | |
|-----------|--------|-------|------|
| REVISIONS | CHNG | CHECK | APPR |
| | CHANGE | | |
| REV | DATE | | |

| | | |
|---|----|---------------|
| TOLERANCE UNLESS OTHERWISE SPECIFIED | | |
| X | ± | 1 |
| X.X | ± | 0.4 |
| X.XX | ± | 0.20 |
| DRAWN BY | GQ | DATE: 8/9/01 |
| CHECK BY | TD | DATE: 8/13/01 |
| APPR BY | PB | DATE: 8/13/01 |

Power Dynamics, Inc.

Phone: 973 560-0019 Whippany, New Jersey Fax: 973 560-0076

PART: IEC 60320 C14 APPL. INLET; QUICK CONNECT
TERMINALS; BOTTOM FLANGE

| | | |
|--------------------|--|--------------|
| PART #: 42R02-5XXX | | SHEET 1 of 1 |
| SIZE: A | ALL DIMENSIONS FOR REFERENCE ONLY DIMENSIONS ARE IN MILLIMETERS | REV: |
| SCALE: NTS | | |

6

5

4

3

2

1

6

5

4

3

2

1

MATERIAL AND FINISH

Insulator: Polycarbonate, UL-94V-0 rated
Contacts: Brass, Nickel plated

ELECTRICAL SPECIFICATIONS:

Current rating: 10 A

Voltage rating: 250 VAC



Current rating: 15 A

Voltage rating: 250 VAC



ORDERING CODE:

42R02-6
1 2 3

1 = TERMINAL OPTIONS

1 = .187(4.8)

2 = .250(6.3)

2 = COLOR

1 = BLACK

2 = GRAY

3 = ELECTRICAL CIRCUIT CONFIGURATION

1 = 15A 250V 120°C

2+GROUND



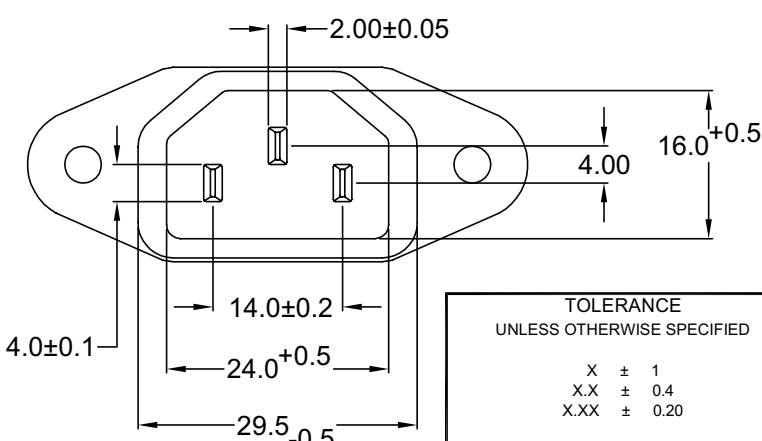
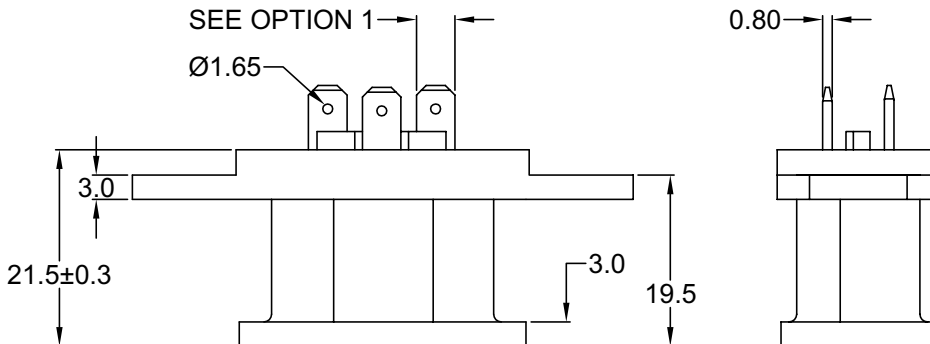
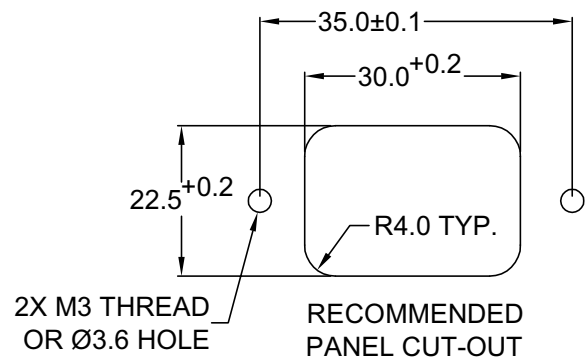
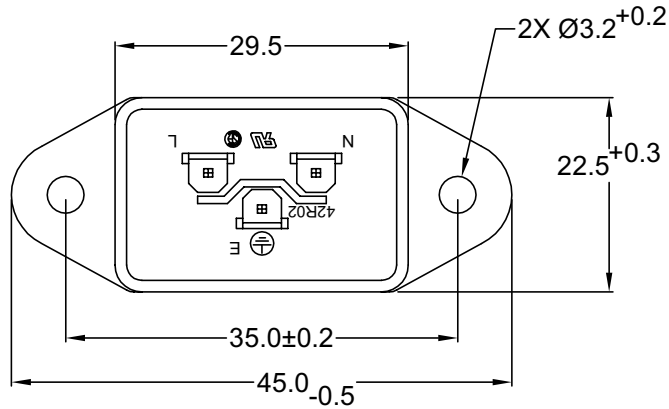
2 = 15A 250V 70°C

2+GROUND



4 = 15A 250V 70°C

2 POLE



TOLERANCE
UNLESS OTHERWISE SPECIFIED

| | |
|------|--------|
| X | ± 1 |
| X.X | ± 0.4 |
| X.XX | ± 0.20 |

Power Dynamics, Inc.
Phone: 973 560-0019 Whippany, New Jersey Fax: 973 560-0076

PART: IEC 60320 C14 APPL. INLET; QUICK CONNECT
TERMINALS; BOTTOM FLANGE

| | | | |
|----------|----|-------|---------|
| DRAWN BY | GQ | DATE: | 8/6/01 |
| CHECK BY | TD | DATE: | 8/13/01 |
| APPR BY | PB | DATE: | 8/13/01 |

| | | |
|--------------------|--|--------------|
| PART #: 42R02-6XXX | | SHEET 1 of 1 |
| SIZE: A | ALL DIMENSIONS FOR REFERENCE ONLY DIMENSIONS ARE IN MILLIMETERS | REV: |
| SCALE: NTS | | |

D

C

B

A

| | | | | | |
|-----|------|--------|------|-------|------|
| REV | DATE | CHANGE | CHNG | CHECK | APPR |
| | | | | | |

6

5

4

3

2

1

6

5

4

3

2

1

MATERIAL AND FINISH

Insulator: Polycarbonate, UL-94V-0 rated
Contacts: Brass, Nickel plated

ELECTRICAL SPECIFICATIONS:

Current rating: 10 A

Voltage rating: 250 VAC

Current rating: 15 A

Voltage rating: 250 VAC



ORDERING CODE:

42R02-7
1 2 3

1 = TERMINAL OPTIONS

1 = .187(4.8)

2 = .250(6.3)

2 = COLOR

1 = BLACK

2 = GRAY

3 = ELECTRICAL CIRCUIT CONFIGURATION

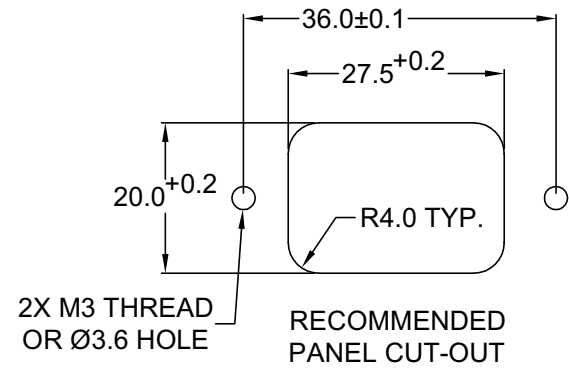
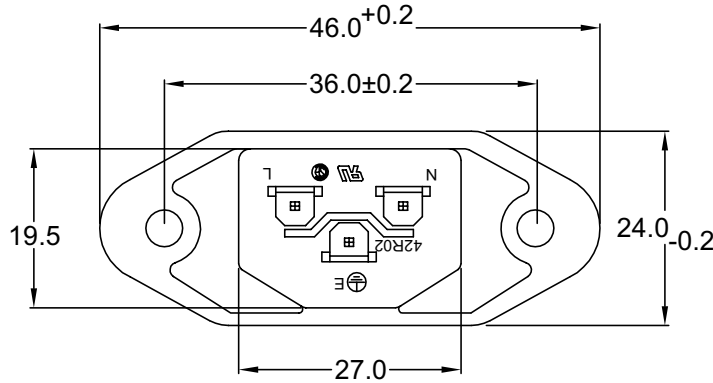
1 = 15A 250V 120°C
2+GROUND



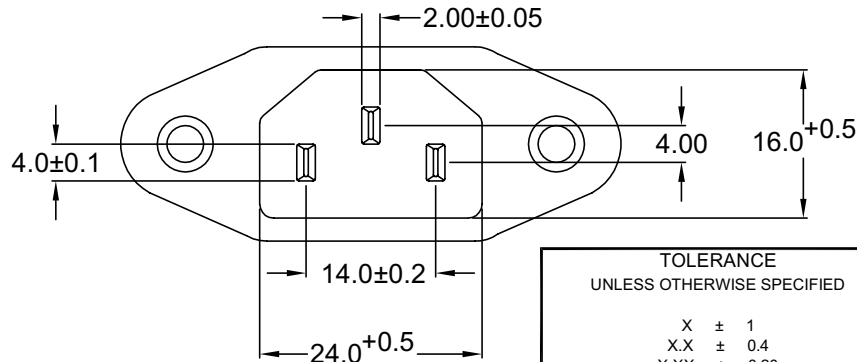
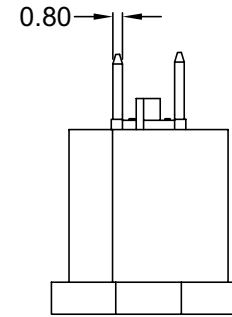
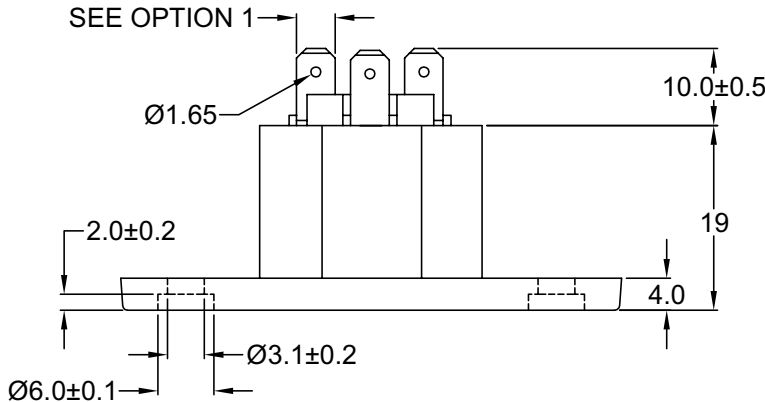
2 = 15A 250V 70°C
2+GROUND



4 = 15A 250V 70°C
2 POLE



SEE OPTION 1



TOLERANCE
UNLESS OTHERWISE SPECIFIED

X ± 1
X.X ± 0.4
X.XX ± 0.20

Power Dynamics, Inc.

Phone: 973 560-0019 Whippany, New Jersey Fax: 973 560-0076

PART: IEC 60320 C14 APPL. INLET; QUICK CONNECT
TERMINALS; SIDE FLANGE

| | | | |
|----------|----|-------|----------|
| DRAWN BY | GQ | DATE: | 08/07/01 |
| CHECK BY | TD | DATE: | 8/14/01 |
| APPR BY | PB | DATE: | 8/14/01 |

| | | |
|--------------------|--|-----------------|
| PART #: 42R02-7XXX | | SHEET 1 of 1 |
| SIZE: A | ALL DIMENSIONS FOR REFERENCE ONLY DIMENSIONS ARE IN MILLIMETERS | |
| SCALE: NTS | | REV: |

D

C

B

A

| | | | |
|-----------|--------|-------|------|
| REVISIONS | CHNG | CHECK | APPR |
| | CHANGE | | |
| | DATE | | |
| | REV | | |

6

5

4

3

2

1

6

5

4

3

2

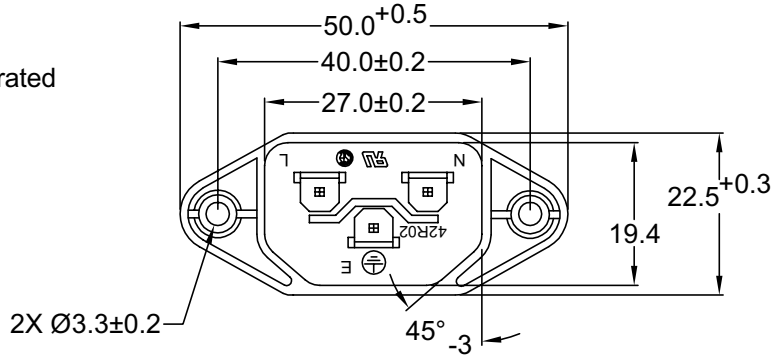
1

MATERIAL AND FINISH

Insulator: Polycarbonate, UL-94V-0 rated
Contacts: Brass, Nickel plated

ELECTRICAL SPECIFICATIONS:

Current rating: 10 A
Voltage rating: 250 VAC
Current rating: 15 A
Voltage rating: 250 VAC



ORDERING CODE:

42R02-1 1 2 3

1 = TERMINAL OPTIONS

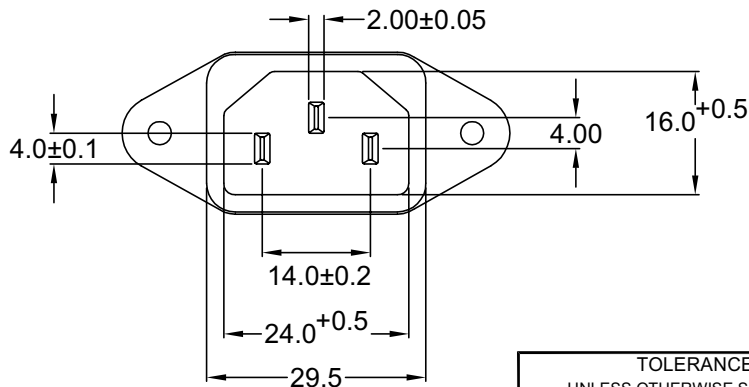
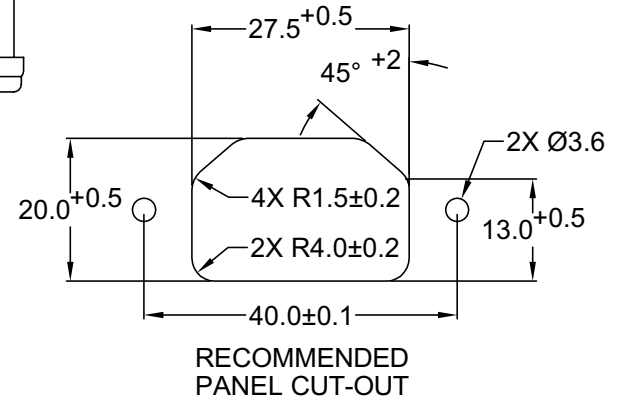
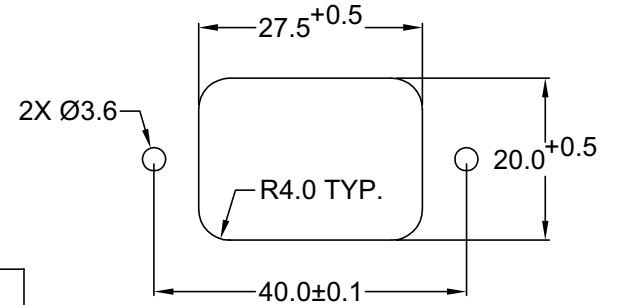
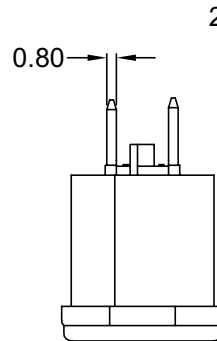
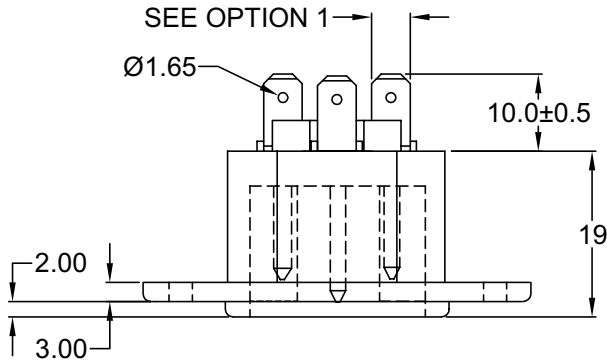
- 1 = .187(4.8)
- 2 = .250(6.3)

2 = COLOR

- 1 = BLACK
- 2 = GRAY

3 = ELECTRICAL CIRCUIT CONFIGURATION

- 1 = 15A 250V 120°C 2+GROUND
- 2 = 15A 250V 70°C 2+GROUND
- 4 = 15A 250V 70°C 2 POLE



TOLERANCE UNLESS OTHERWISE SPECIFIED

| | | |
|------|---|------|
| X | ± | 1 |
| X.X | ± | 0.4 |
| X.XX | ± | 0.20 |

| | | | |
|----------|----|-------|---------|
| DRAWN BY | GQ | DATE: | 8/7/01 |
| CHECK BY | TD | DATE: | 8/13/01 |
| APPR BY | PB | DATE: | 8/13/01 |

Power Dynamics, Inc.
Phone: 973 560-0019 Whippany, New Jersey Fax: 973 560-0076

PART: IEC 60320 C14 APPL. INLET; QUICK CONNECT TERMINALS; SIDE FLANGE

42R02-8XXX

ALL DIMENSIONS FOR REFERENCE ONLY
DIMENSIONS ARE IN MILLIMETERS

SHEET 1 of 1

D

C

B

A

6

5

4

3

2

1

| | | | | | |
|-----|------|--------|------|-------|------|
| REV | DATE | CHANGE | CHNG | CHECK | APPR |
| | | | | | |