



Panel Mount Lenses for T-1 3/4 (5mm) LEDs

DESCRIPTION AND FEATURES

Series 4341 thru 4347

•Attractive snap-in panel lenses provide wide-angle viewing plus mechanical security and electrostatic discharge protection. Generous clearance and "forgiving" optics speed product assembly. Ideal for use with narrow beam LEDs, such as 4305H, 4308H or 4310H series-or use with incandescent or neon lamps.

Material: Polycarbonate

Mounting Hole: Snap into Ø.354-.360 hole in panels .030-.080 thick.

MODEL	LENS COLOR
4341	Red
4342	Clear
4343	Amber
4344	White
4345	Green
4346	Blue
4347	Yellow

**Series 4371, 4372, 4375, 4376, 4377 Lenses;
 4370 Spacer**

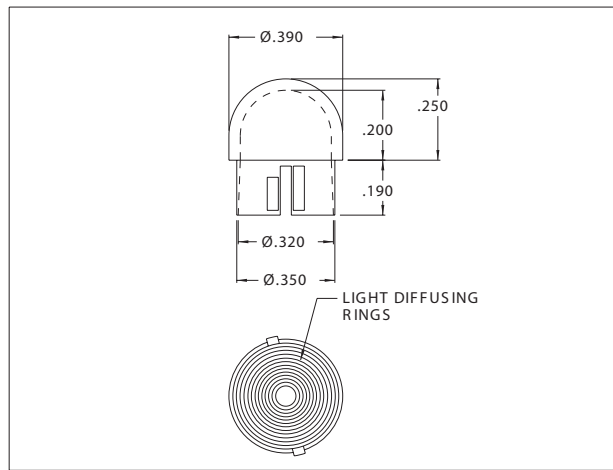
•These low profile lenses provide quick and economical panel mounting for T-1 3/4 high dome LEDs. Molded-in Fresnel rings spread light evenly, provide wide viewing angle and bright attractive appearance. Use with narrow beam LED series 4305H, 4308H and 4310H.

Material: Polycarbonate

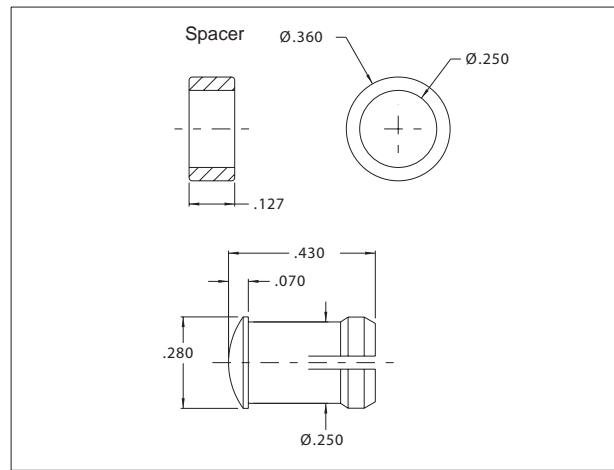
Mounting Hole: Snap into Ø.248/.252 hole in panels .030-.250 thick.

MODEL	LENS COLOR
4371	Red
4372	Clear
4375	Green
4376	Blue
4377	Yellow
4370	Spacer

OUTLINE DIMENSIONS



OUTLINE DIMENSIONS



All dimensions in inches.