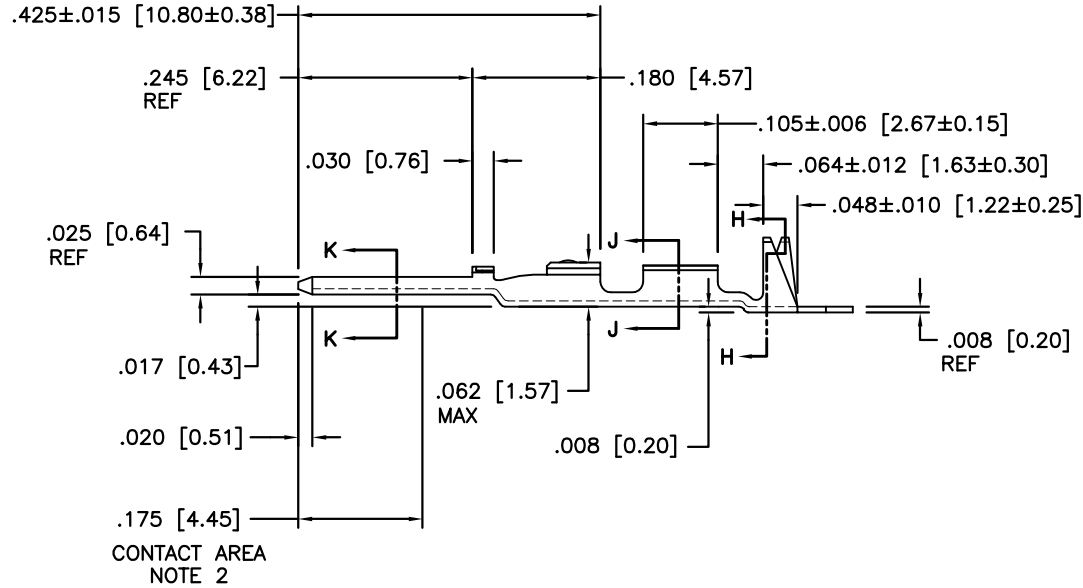
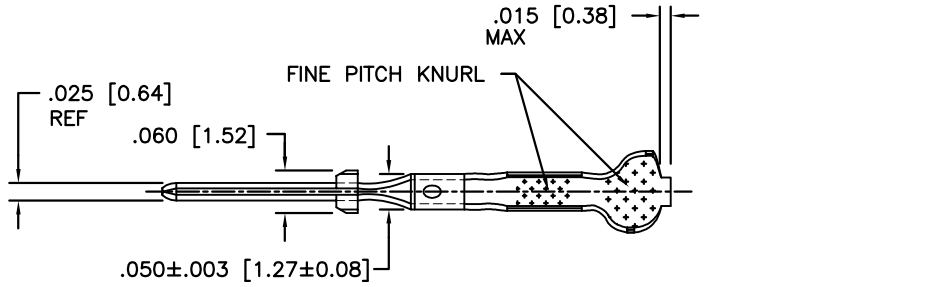


All rights strictly reserved. Reproduction or issue to third parties in any form whatever is not permitted without written authority from the proprietor. Property of FCI. Copyright FCI.

Tous droits strictement reserves. Reproduction ou communication a des tiers interdite sous quelque forme que ce soit sans autorisation ecrite du proprietaire. Propriete de c FCI. Droits de reproduction FCI.



PRODUCT NUMBER
SEE SHEET 2



mat'l. code		NOTE 1		tolerances unless otherwise specified		CUSTOMER COPY		 www.fciconnect.com	
ltr	ecn no	dr	date	linear	.XX ±.01/.XX±.3	projection		title	
F	V41701	LSS	11/22/94		.XXX ±.005/.XX±.13	 INCH/MM		C.T.W. MALE PIN LOOSE PIECE	
G	V05-0254	HTB	3/18/05	angles	.XXX ±.0020/.XXX±.051				
				dr	L. SANDERS 11/28/94	scale		product family PV TERMINALS	
				enr	T. HANNA 11/28/94	4:1		code	
				chr	T. BREWBAKER 11/28/94			size	
				appd	T. HANNA 11/28/94			dwg no	
sheet	revision	G	G					A	
index	sheet	1	2					48115	
								sheet	
								1 of 2	

cage code
22526

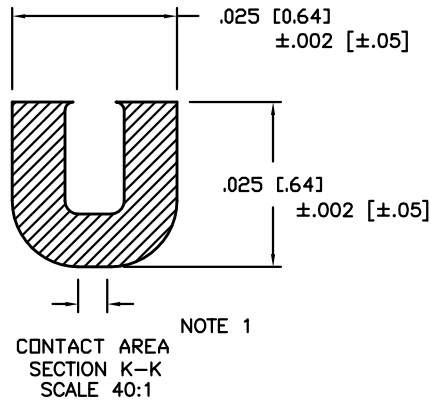
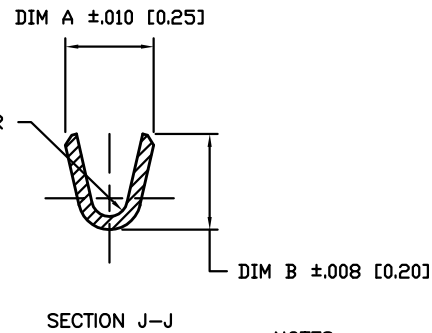
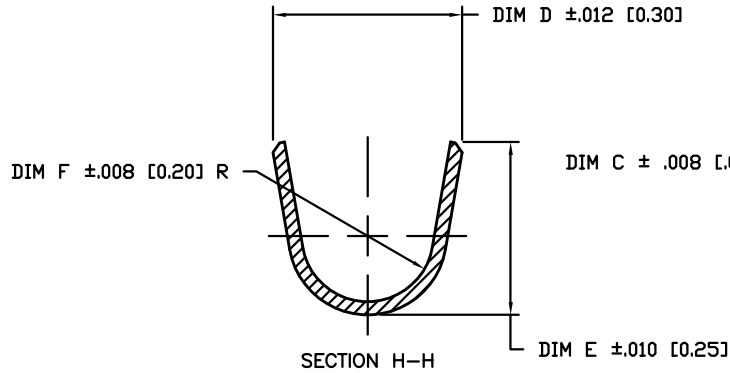
ACAD

Tous droits strictement reserves. Reproduction ou communication a des tiers interdite sous quelque forme que ce soit sans autorisation écrite du propriétaire. Propriete de c FCI. Droits de reproduction FCI.

FCI

All rights strictly reserved. Reproduction or issue to third parties in any form whatever is not permitted without written authority from the proprietor. Property of FCI. Copyright FCI.

PRODUCT NUMBER NOTE 5	AWG	DIM A	DIM B	DIM C	DIM D	DIM E	DIM F
48115-000	28-32	.054 [1.37]	.058 [1.47]	.011 [0.28]	.115 [2.92]	.105 [2.67]	.040 [1.02]
48115-000LF	28-32	.054 [1.37]	.058 [1.47]	.011 [0.28]	.115 [2.92]	.105 [2.67]	.040 [1.02]
48116-000	22-26	.070 [1.78]	.065 [1.65]	.017 [0.43]	.139 [3.53]	.120 [3.05]	.050 [1.27]
48116-000LF	22-26	.070 [1.78]	.065 [1.65]	.017 [0.43]	.139 [3.53]	.120 [3.05]	.050 [1.27]
48117-000	18-20	.104 [2.64]	.104 [2.64]	.021 [0.53]	.139 [3.53]	.120 [3.05]	.050 [1.27]
48117-000LF	18-20	.104 [2.64]	.104 [2.64]	.021 [0.53]	.139 [3.53]	.120 [3.05]	.050 [1.27]



NOTES:

- ① MATERIAL: 3/4 HD. BRASS ALLOY 260.
- ② PLATING: ELECTRODEPOSITED GOLD 50u"/1.27u IN CONTACT AREA, REMAINDER GOLD FLASH. UNDERPLATE 50u"/1.27u NICKEL
3. TERMINAL MAY BE USED WITH MINI LATCH HOUSING.
4. APPLICABLE SPECIFICATION:
A. BUS-12-098 PRODUCT SPECIFICATION.
B. TA-211 CRIMP SPECIFICATION.
- ⑤ PART NUMBERS WITH AN LF SUFFIX MEET EUROPEAN UNION DIRECTIVES AND OTHER COUNTRY REGULATIONS AS DESCRIBED IN GS-22-008.
6. THIS PRODUCT IS NOT INTENDED TO BE EXPOSED TO MANUFACTURING SOLDER PROCESSES.

mat'l. code NOTE 1		tolerances unless otherwise specified		CUSTOMER COPY		 www.fciconnect.com	
ltr	ecn no	dr	date	linear	.XX ±.01/.X±.3	projection	title
G				angles	.XXX ±.005/.XXX±.13	 INCH/MM	C.T.W. MALE PIN LOOSE PIECE
				dr	.XXX ±.0020/.XXX±.051		
				enr	0° ±2°	scale	code
				chr	L. SANDERS 11/28/94	10:1	213
				appd	T. HANNA 11/28/94		sheet
					T. BREWBAKER 11/28/94		2 of 2
sheet	revision						
index	sheet						

cage code
22526

ACAD

PDM: Rev:G

STATUS:Released

Printed: Mar 23, 2005