

#### Pin grid array sockets, interconnect receptacle and pin, solder tail, receptacle with wire-wrap posts




Series 516, 521, 522, 523, 550 and 551 PGA sockets are high density connecting devices equipped with machined precision male or female contacts.

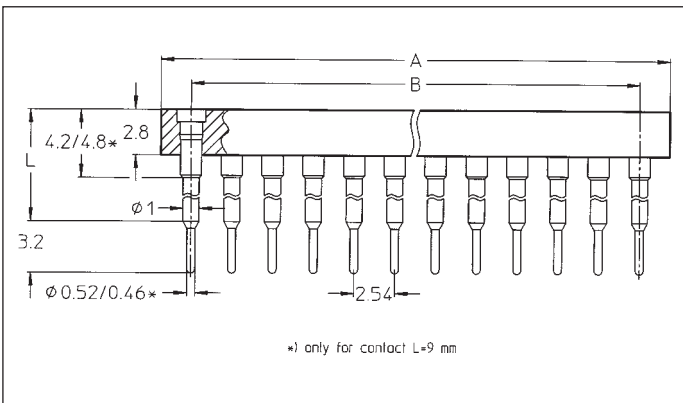
Receptacles have soft contact clips assuring low insertion/withdrawal forces. Over 200 standard pinouts are available; inquiries for custom varieties are welcome

Insertion characteristics: receptacle 6-finger low force

#### Ordering information

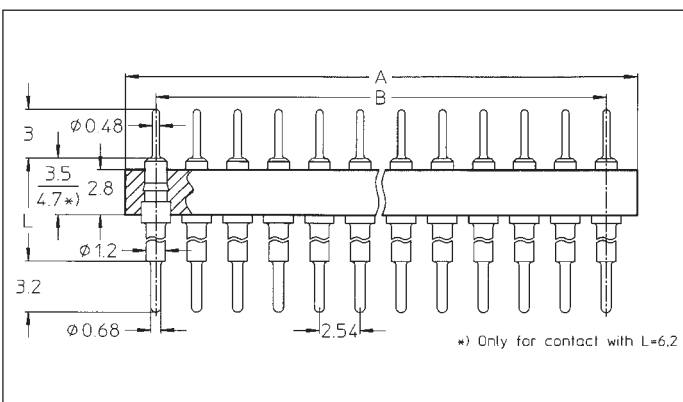
Replace **xxx-xx-xxx** with the number of poles, body size and layout numbers as indicated on pages 88 to 92. For example, a 12x12 pin configuration with window and 108 interconnect contacts as shown on page 88 becomes: 516-93-**108-12-051**-003 or 551-90-**108-12-051**-003

Platings	Sleeve 	Clip 	Pin 
10	0.25 µm Au	0.75 µm Au	0.25 µm Au
13			5.0 µm Sn Pb
90	5.0 µm Sn Pb	0.25 µm Au	5.0 µm Sn Pb
91			0.75 µm Au
93	5.0 µm Sn Pb	Goldflash	5.0 µm Sn Pb
97			5.0 µm Sn Pb
99	5.0 µm Sn Pb	5.0 µm Sn Pb	5.0 µm Sn Pb



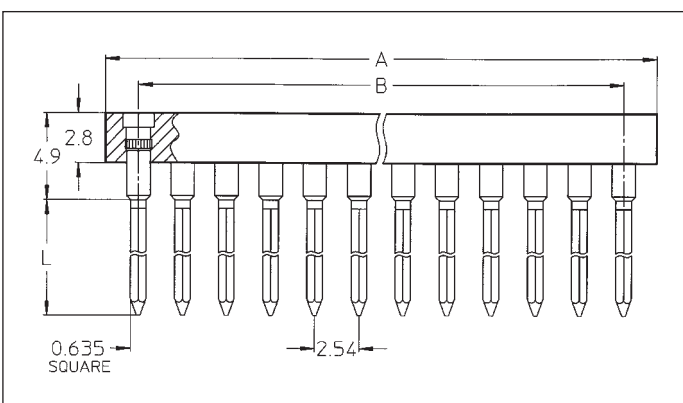
	L =
516-93-xxx-xx-xxx-006	6 <b>B</b>
516-93-xxx-xx-xxx-003	8 <b>B</b>
516-93-xxx-xx-xxx-012	9 <b>B</b>
516-93-xxx-xx-xxx-007	10 <b>B</b>
516-93-xxx-xx-xxx-008	12 <b>B</b>
516-93-xxx-xx-xxx-009	13 <b>B</b>
516-93-xxx-xx-xxx-001	15 <b>B</b>
516-93-xxx-xx-xxx-011	18 <b>B</b>
516-93-xxx-xx-xxx-004	22 <b>B</b>
516-93-xxx-xx-xxx-013	33 <b>B</b>

PGA interconnect sockets; solder tail



	L =
550-10-xxx-xx-xxx-001	4.0 mm
550-90-xxx-xx-xxx-001	
551-10-xxx-xx-xxx-003	6.2 mm <b>B</b>
551-90-xxx-xx-xxx-003	
551-10-xxx-xx-xxx-004	8.4 mm <b>B</b>
551-90-xxx-xx-xxx-004	
551-10-xxx-xx-xxx-005	15.3 mm <b>B</b>
551-90-xxx-xx-xxx-005	
551-10-xxx-xx-xxx-016	21.2 mm <b>B</b>
551-90-xxx-xx-xxx-016	
551-10-xxx-xx-xxx-017	27.4 mm <b>B</b>
551-90-xxx-xx-xxx-017	

PGA interconnect sockets; solder tail



52x-13-xxx-xx-xxx-001	<b>B</b>
52x-91-xxx-xx-xxx-001	<b>B</b>
52x-93-xxx-xx-xxx-001	<b>B</b>
52x-97-xxx-xx-xxx-001	<b>B</b>
52x-99-xxx-xx-xxx-001	<b>B</b>

1 level L = 6.60 mm = 521-...  
2 level L = 9.40 mm = 522-...  
3 level L = 12.95 mm = 523-...

PGA sockets with wire-wrap terminations

Dimensions of wrapost 0.635 square