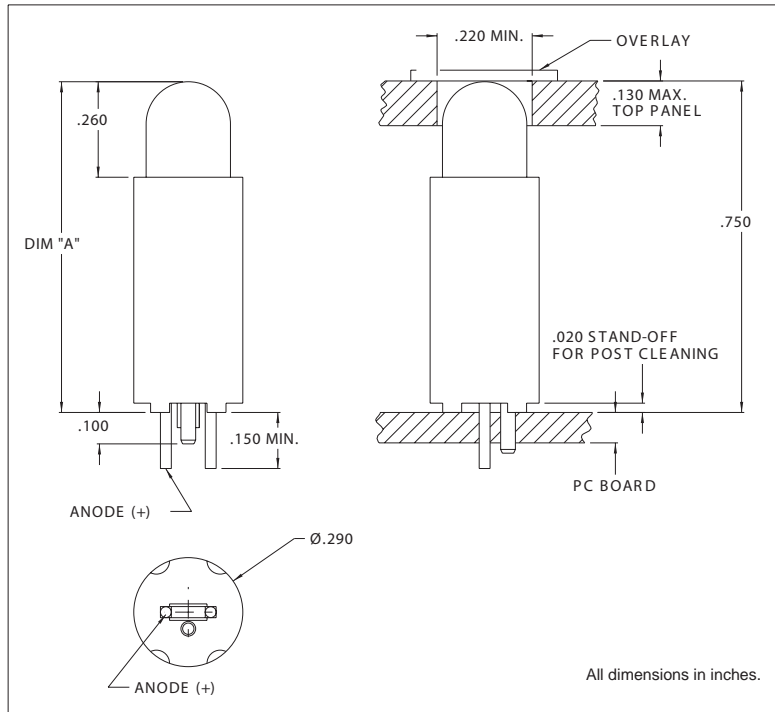




5331H Series T-1 3/4 Vertical LED Assembly

DESCRIPTION AND FEATURES



Features

- Block mounting design assures height and side-by-side spacing-alignment saves assembly costs.
- Ultra Brite T-1 3/4 LED lamp, non-diffused narrow beam high intensity light.
- Press-in mounting pin secures assembly to PC board for soldering.
- Standoffs prevent flux entrapment.

Housing: Black Nylon, UL94V-0

Note: Alternate LEDs are also available in this package as a standard variation.

Mounting hole pattern on page 1-X6.

ELECTRO-OPTICAL CHARACTERISTICS AND RATINGS

Part Number	Emitted Color	Typical Intensity (mcd)	Rated Current (mA)	Continuous Forward Current Max. (mA)	Forward Voltage		Reverse Breakdown Voltage Min. (V)	Peak Wavelength (nm)	Peak Forward Current at 1MS-300 PPS (A)
					Typ. (V)	Max. (V)			
5331H1	Red	68	20	60	2.1	3.0	5	650	.1
5331H5	Green	100	20	60	2.2	3.0	5	563	.09
5331H7	Yellow	160	20	60	2.2	3.0	5	585	.1