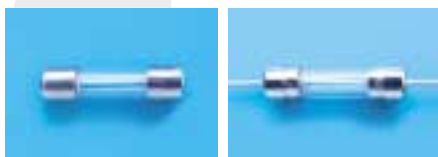


Type 5TT / 5TTP Slow Blow Fuse Series

5 x 20mm Glass Tube
RoHS Compliant

5TTD1005



Electrical Characteristics (UL/CSA STD. 248-14)

Testing current	Blow Time		Amp range
	Minimum	Maximum	
100%	4 Hrs.	N/A	50mA - 10A
135%	N/A	1 Hr	50mA - 10A
200%	5 sec	30 sec	50mA - 3A
200%	3 sec	30 sec	3.1A - 10A

Approvals



Safety Agency Approvals	Type	Amp range / Volt @ I.R. ability
Listed File No. E20624	5TT / 5TTP	50mA - 3A / 250V AC @ 100A
Certified File No. LR39772		50mA - 8A / 125V AC @ 10,000A
Recognized File No. E20624	5TT / 5TTP	10A / 125V AC @ 1,000A
Acceptance File No. LR39772		
File No. JET1037-31003-1001, JET1037-31003-1003	5TT / 5TTP	1A - 5A / 125V AC @ 500A
File No. JET1037-31003-1002	5TT	>5A - 15A / 125V AC @ 300A

RoHS Compliant Product

For RoHS Compliant Version, add suffix "R" after catalog number

Operating Temperature

-55°C to +125°C

Physical Specification

Materials

5A and less:

Glass body / Nickel Plated Brass Caps

Lead wire: Tin plated Copper, Diameter 0.032"

6A and above:

Ceramic body / Nickel Plated Brass Caps

Lead wire: Tin plated Copper, Diameter 0.040"

Marking

On fuse:

"bel", "5TT", "Current Rating", "Voltage Rating", "Appropriate Safety Logos", "✓" (RoHS Version)

On label:

"bel", "5TT" or "5TTP", "Current Rating", "Voltage Rating", "Interrupting Rating", "Appropriate Safety Logos" and "PS E" + suffix "R" for RoHS Version

Voltage on fuse:

250V for 50mA to 3A; 125V for rating above 3A

Catalog Number	RoHS Suffix	Ampere Rating	Typical Cold Resistance (ohm)	Volt-drop @ 100% In (Volt) max.	Melting I ² T < 10 mSec (A ² Sec)	Melting I ² T @ 10 In (A ² Sec)	Maximum Power Dissipation (W)
5TT (P) 80	-R	80mA	29.0	3.10	0.091	0.096	0.422
5TT (P) 100	-R	100mA	20.0	2.77	0.137	0.146	0.45
5TT (P) 125	-R	125mA	12.0	2.34	0.208	0.221	0.48
5TT (P) 160	-R	160mA	6.88	1.98	0.314	0.337	0.51
5TT (P) 200	-R	200mA	4.66	1.68	0.476	0.512	0.55
5TT (P) 250	-R	250mA	3.16	1.42	0.719	0.778	0.58
5TT (P) 300	-R	300mA	2.14	1.20	0.885	0.959	0.60
5TT (P) 400	-R	400mA	1.45	1.02	1.65	1.80	0.66
5TT (P) 500	-R	500mA	0.981	0.86	2.49	2.73	0.70
5TT (P) 600	-R	600mA	0.700	0.75	3.77	4.16	0.75
5TT (P) 700	-R	700mA	0.560	0.68	4.64	5.12	0.78
5TT (P) 750	-R	750mA	0.492	0.64	5.25	5.81	0.79
5TT (P) 1	-R	1A	0.270	0.52	8.63	9.6	0.85
5TT (P) 1.25	-R	1.25A	0.206	0.44	13.1	14.6	0.91
5TT (P) 1.5	-R	1.5A	0.140	0.39	18.3	20.5	0.96
5TT (P) 1.6	-R	1.6A	0.120	0.37	19.7	22.2	0.97
5TT (P) 2	-R	2A	0.080	0.32	29.9	33.7	1.03
5TT (P) 2.5	-R	2.5A	0.060	0.27	45.2	51.3	1.10
5TT (P) 3	-R	3A	0.043	0.23	55.6	63.3	1.13
5TT (P) 3.15	-R	3.15A	0.038	0.22	68.4	78	1.17
5TT (P) 4	-R	4A	0.029	0.19	103	119	1.25
5TT (P) 5	-R	5A	0.020	0.16	157	180	1.33
5TT (P) 6	-R	6A	0.015	0.12	218	317	1.23
5TT (P) 6.3	-R	6.3A	0.014	0.12	230	345	1.25
5TT (P) 7	-R	7A	0.012	0.12	295	459	1.37
5TT (P) 8	-R	8A	0.010	0.11	319	472	1.31
5TT (P) 10	-R	10A	0.007	0.086	467	703	1.40

Consult manufacturer for other ratings

Packaging

1. In bulk:

5TT - 1,000 pcs per box; 5TTP - 500 pcs per box

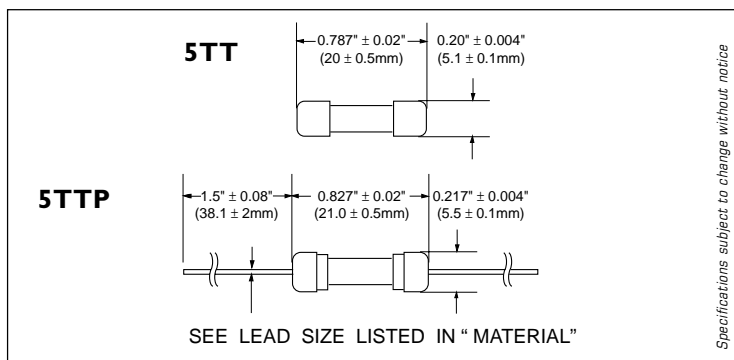
2. On Axial Tape & Reel:

1,500 pcs per reel

3. Tape & Reel specification:

per EIA-296-E & IEC 286-1 @ 10mm Pitch and 63.5mm inside Tape Spacing

Mechanical Dimensions



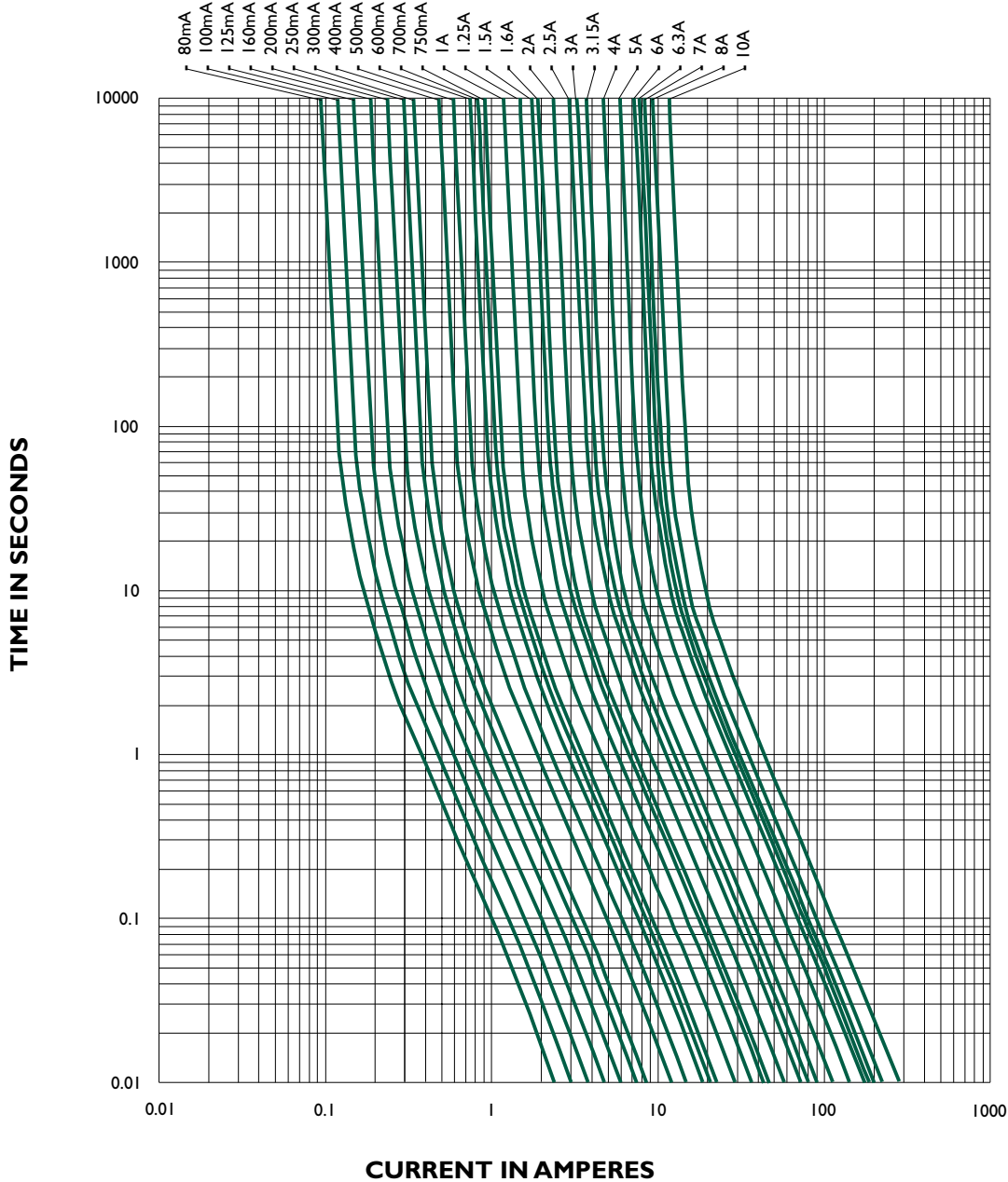
ORDERING INFORMATION SEE LAST 2 PAGES

Type 5TT / 5TTP
Slow Blow Fuse Series

5 x 20mm Glass Tube
 RoHS Compliant

5TTC1005

5TT / 5TTP - TIME CURRENT CHARACTERISTIC CURVE



Specifications subject to change without notice

NOTE - see important information under "User Guide" on P.08

Corporate Office
Bel Fuse Inc.
 206 Van Vorst Street, Jersey City, NJ 07302
 Tel: 201-432-0463
 Fax: 201-432-9542
 E-Mail: belfuse@belfuse.com
 Website: www.belfuse.com

Far East Office
Bel Fuse Ltd.
 8F/8 Luk Hop Street
 San Po Kong
 Kowloon, Hong Kong
 Tel: 852-2328-5515
 Fax: 852-2352-3706

European Office
Bel Fuse Europe Ltd.
 Preston Technology Management Centre
 Marsh Lane, Preston PR1 8UD
 Lancashire, U.K
 Tel: 44-1772-556601
 Fax: 44-1772-888366