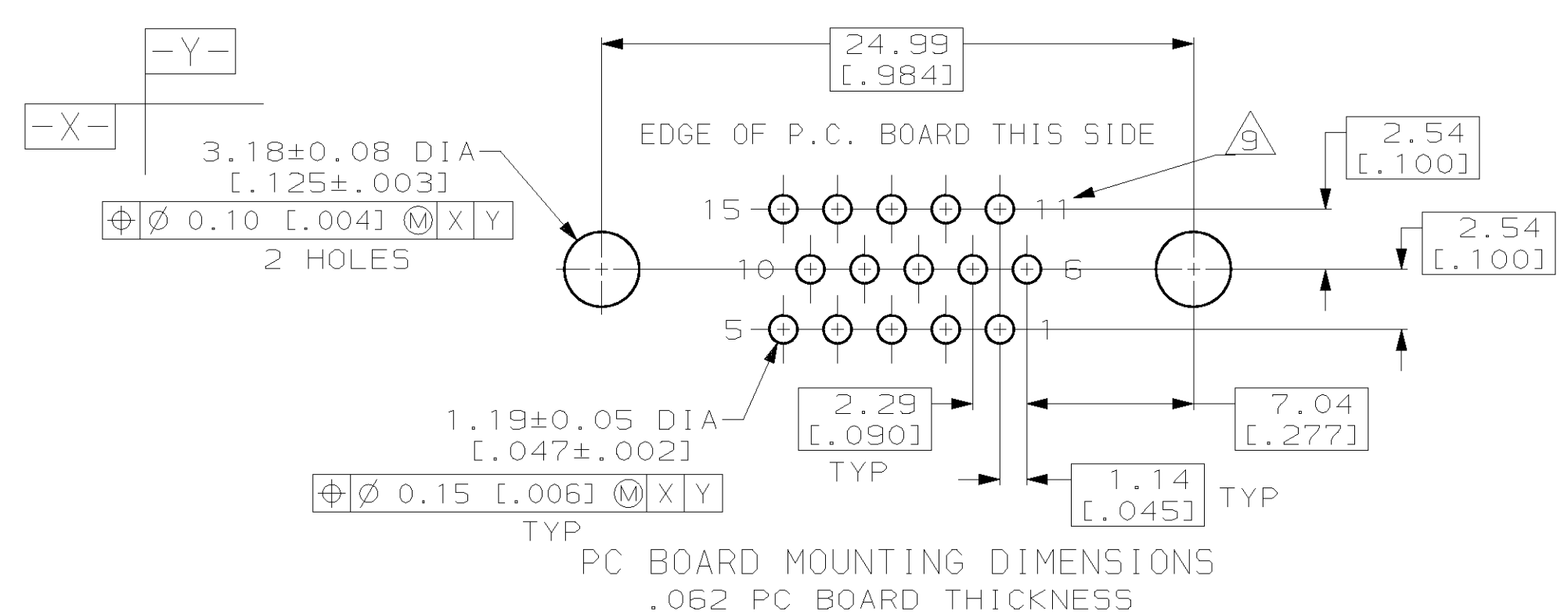
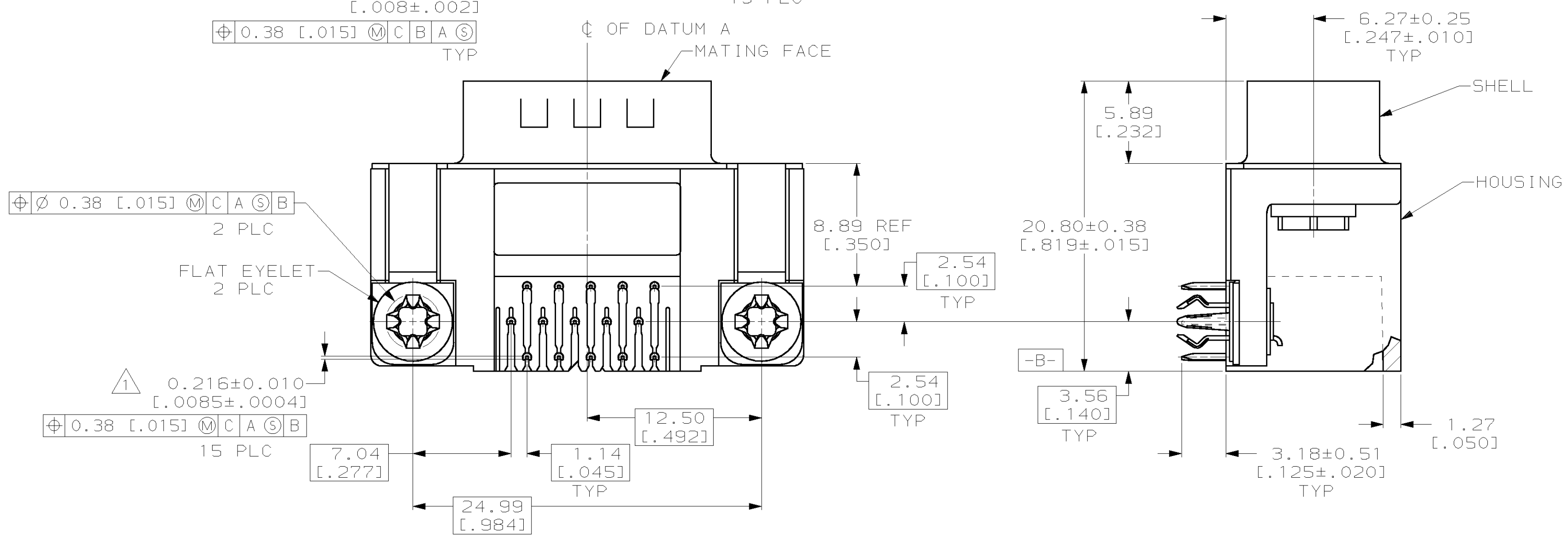
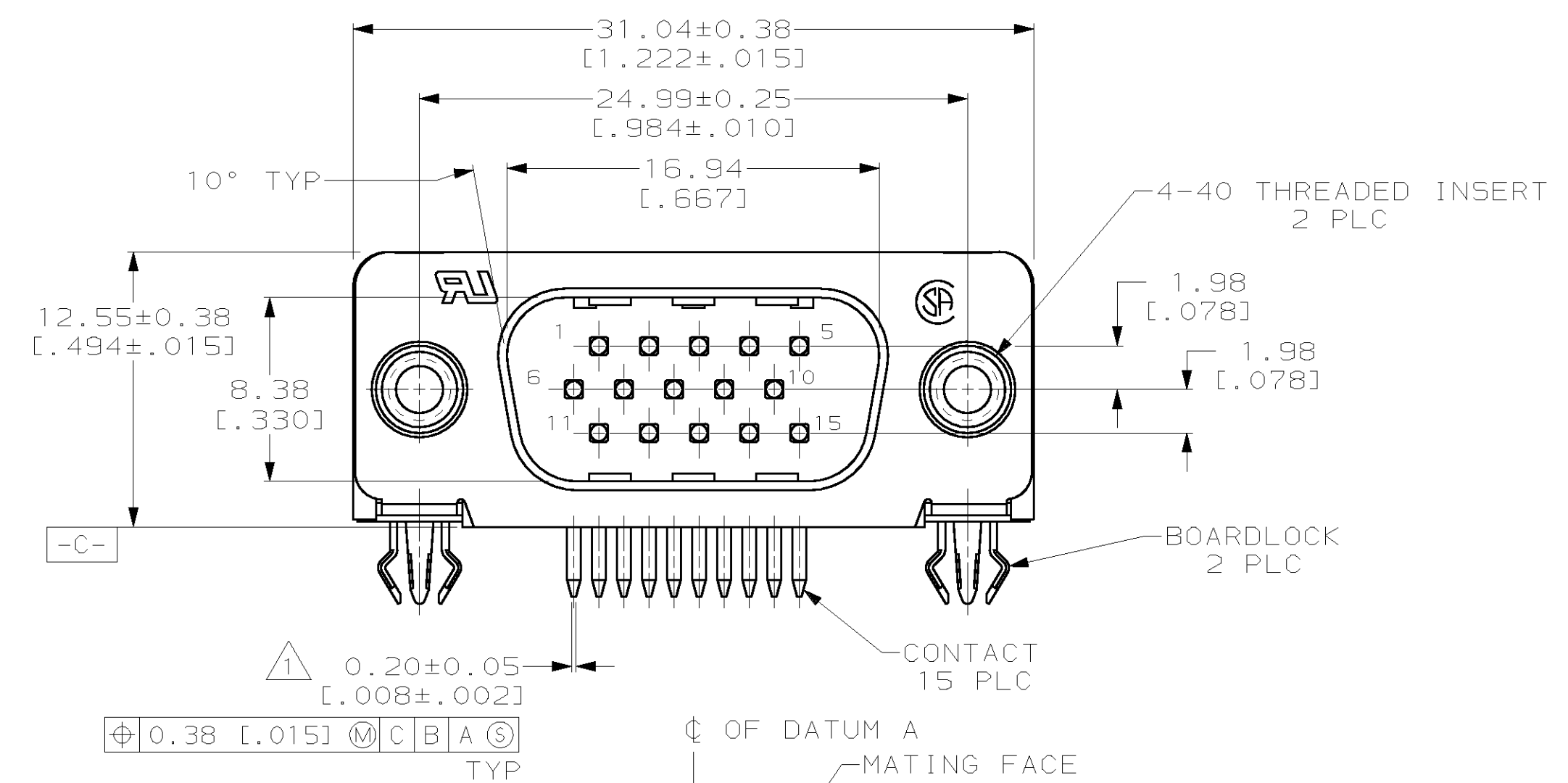


- 1 POSITION TOLERANCE APPLIES AT TIP ONLY.
 - 2 NYLON, 94 V-0 RATED, BLACK.
 - 3 CARBON STEEL PER ASTM A109.
 - 4 FLAT EYELETS: BRASS; BOARDLOCKS: COPPER ALLOY; INSERTS: ZINC.
 - 5 GOLD PLATING PER MIL-G-45204; NICKEL PLATING PER QQ-N-290; TIN PLATING PER MIL-T-10727; COPPER PLATING PER MIL-C-14550.
 - 6 2.54μm [.000100] MIN TIN OVER 1.27μm [.000050] MIN COPPER.
 - 7 EYELETS: 5.08μm [.000200] MIN TIN OVER COPPER FLASH. BOARDLOCKS: 5.08μm [.000200] MIN TIN-LEAD OVER 1.27μm [.000050] MIN NICKEL. INSERT: CLEAR CHROMATE.
 - 8 GOLD PLATED FOR A LENGTH OF 3.81 [.150] MIN FROM MATING END, 0.76μm [.000030] MIN GOLD IN MATED AREA, 3.05μm [.000120] MIN TIN-LEAD FOR LENGTH OF 3.68 [.145] MIN FROM OPPOSITE END, ALL OVER 1.27μm [.000050] MIN NICKEL.
 - 9 POSITION NUMBERS SHOWN FOR REFERENCE ONLY.
10. THIS CONNECTOR IS RATED TO A TEMPERATURE OF 220° C MAX AND 90 SECOND MAXIMUM EXPOSURE TIME.



749767-1
PART NUMBER

THIS DRAWING IS A CONTROLLED DOCUMENT.		DWN C. RICHARD 17 JUL 89	AMP Incorporated Harrisburg, PA 17105-3608
		CHK J. McCLINTON 11 AUG 89	
DIMENSIONS mm [INCHES]		APVD P. KISSINGER 11 AUG 89	NAME PLUG ASSEMBLY, SIZE 1, 15 POSITION, RIGHT ANGLE, FRONT METAL SHELL, AMPLIMITE® HD-22
TOLERANCES UNLESS OTHERWISE SPECIFIED.		PRODUCT SPEC 108-1092	APPLICATION SPEC 114-40021
MATERIAL HOUSING: 2 SHELL: 3 HARDWARE: 4		WEIGHT -	SIZE A1
CONTACTS: BRASS FINISH: 5 SHELL: 6 HARDWARE: 7		CUSTOMER DRAWING	SCALE 4:1
		RESTRICTED TO	SHEET 1 OF 1
		REV H	