



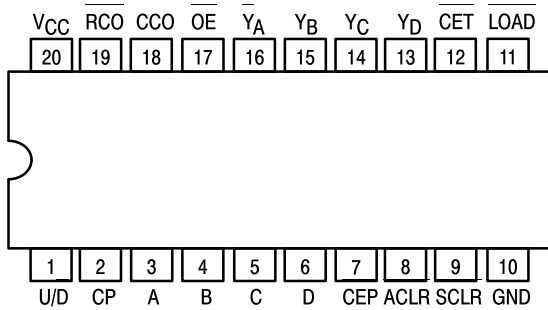
FOUR-BIT UP/DOWN COUNTER WITH THREE-STATE OUTPUTS

The SN54/74LS569A is designed as programmable up/down BCD and Binary counters respectively. These devices have 3-state outputs for use in bus organized systems. With the exception of output enable (OE) and asynchronous clear (ACLR), all functions occur on the positive edge of the clock pulse (CP).

When the LOAD input is LOW, the outputs will be programmed by the parallel data inputs (A, B, C, D) on the next clock edge. Enabling of the counters occurs only when CEP and CET are LOW and LOAD is HIGH. Direction of the count is controlled by the up-down input (U/D), HIGH counts up and LOW counts down. High-speed counting and cascading is implemented by internal look-ahead carry logic and an active LOW ripple carry output (RCO). On the LS569A, the RCO is LOW at binary 15 during up-count and during down-count it is also LOW at binary 0. During normal cascading operation RCO connected to the succeeding block at CET is the only requisite. When counting and when RCO is LOW, the clocked carry output (CCO) provides a HIGH-LOW-HIGH pulse for a duration equal to the LOW time of the clock pulse. Two active LOW reset lines are provided, a master reset asynchronous clear (ACLR) and a synchronous clear (SCLR). When in a HIGH state, the output control (OE) input forces the counter output into a HIGH impedance state and when LOW, the counter outputs are enabled.

- ESD > 3500 Volts

CONNECTION DIAGRAM (TOP VIEW)



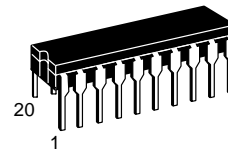
V_{CC} = PIN 20
GND = PIN 10

Note: Pin 1 is marked for orientation.

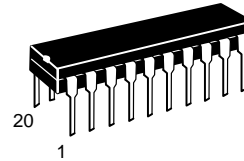
SN54/74LS569A

FOUR-BIT UP/DOWN COUNTER WITH THREE-STATE OUTPUTS

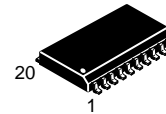
LOW POWER SCHOTTKY



J SUFFIX
CERAMIC
CASE 732-03



N SUFFIX
PLASTIC
CASE 738-03



DW SUFFIX
SOIC
CASE 751D-03

ORDERING INFORMATION

SN54LSXXXJ Ceramic
SN74LSXXXN Plastic
SN74LSXXXDW SOIC

GUARANTEED OPERATING RANGES

Symbol	Parameter		Min	Typ	Max	Unit
V _{CC}	Supply Voltage	54 74	4.5 4.75	5.0 5.0	5.5 5.25	V
T _A	Operating Ambient Temperature Range	54 74	-55 0	25 25	125 70	°C
I _{OH}	Output Current — High Except RCO, CCO	54 74			-1.0 -2.6	mA
I _{OH}	Output Current — High RCO, CCO	54, 74			-0.44	mA
I _{OL}	Output Current — Low Except RCO, CCO	54 74			12 24	mA
I _{OL}	Output Current — Low, RCO, CCO	54 74			4.0 8.0	mA

SN54/74LS569A

FUNCTION TABLE

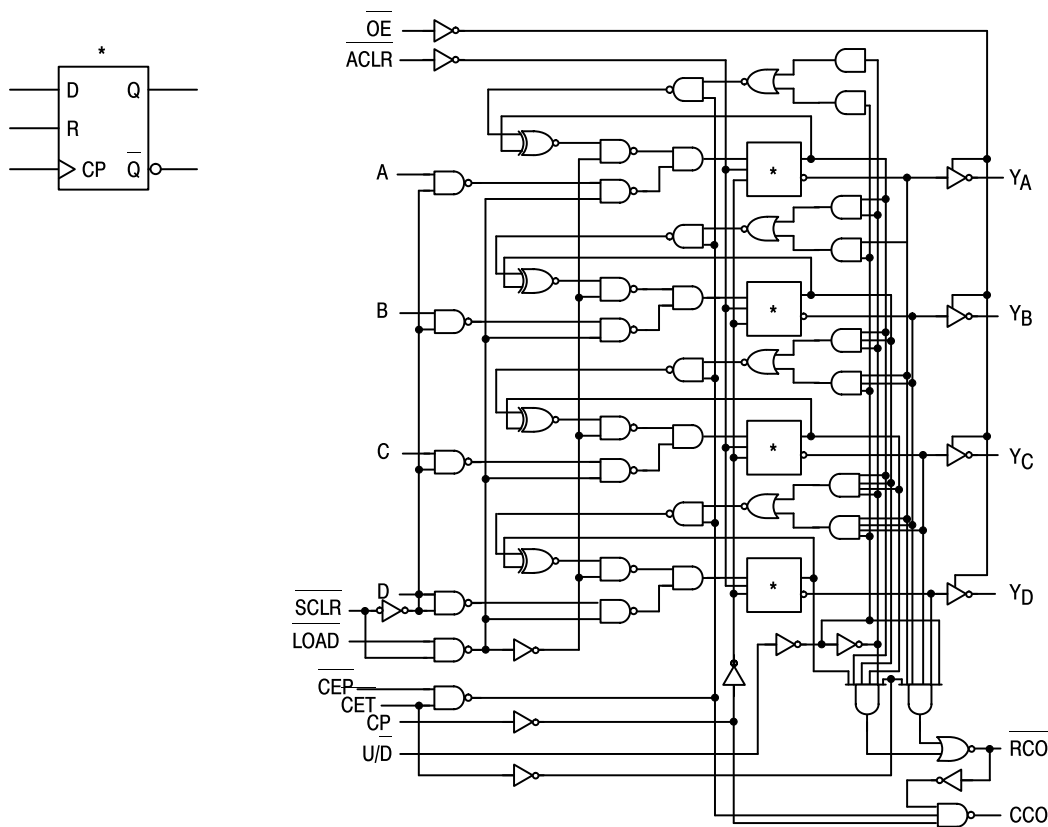
INPUTS											OUTPUTS							
CP	D	C	B	A	LOAD	CET	CEP	U/D	ACLR	SCLR	OE	RCO	CCO	Y _D	Y _C	Y _B	Y _A	
↑	X	X	X	X	H	L	L	H	H	H	L	A/R	A/R	$(Q_T - CP) + 1$				Count Up
↑	X	X	X	X	H	L	L	L	H	H	L	A/R	A/R	$(Q_T - CP) - 1$				Count Down
↑	X	X	X	X	H	H	X	X	H	H	L	H	H	NC	NC	NC	NC	Count Inhibit
↑	X	X	X	X	H	L	H	X	H	H	L	A/R	H	NC	NC	NC	NC	Count Inhibit
Ω	X	X	X	X	X	L	L	H	H	H	L	L	∅	H	H	H	H	Overflow
↑	X	X	X	X	X	L	H	H	H	H	L	L	H	H	H	H	H	Overflow
↑	X	X	X	X	X	H	X	H	H	H	L	H	H	H	H	H	H	Overflow Inhibit
∅	X	X	X	X	X	L	L	L	H	H	L	L	∅	L	L	L	L	Underflow
↑	X	X	X	X	X	L	H	L	H	H	L	L	H	L	L	L	L	Underflow
↑	X	X	X	X	X	H	X	L	H	H	L	H	H	L	L	L	L	Underflow Inhibit
↑	L	H	L	H	L	X	X	X	H	H	L	H	H	L	H	L	H	Load Example
↑	X	X	X	X	X	H	X	H	H	L	L	H	H	L	L	L	L	Clear (Synchronous)
∅	X	X	X	X	X	L	L	L	H	L	L	L	∅	L	L	L	L	Clear (Synchronous)
↑	X	X	X	X	X	L	H	L	H	L	L	L	H	L	L	L	L	Clear (Synchronous)
↑	X	X	X	X	X	H	X	L	H	L	L	H	H	L	L	L	L	Clear (Synchronous)
X	X	X	X	X	X	X	X	H	L	X	L	H	H	L	L	L	L	Asynchronous Clear
∅	X	X	X	X	X	L	L	L	L	X	L	L	∅	L	L	L	L	Asynchronous Clear
X	X	X	X	X	X	L	H	L	L	X	L	L	H	L	L	L	L	Asynchronous Clear
X	X	X	X	X	X	H	X	L	L	X	L	H	H	L	L	L	L	Asynchronous Clear
X	X	X	X	X	X	X	X	X	X	X	H	X	X	Hi-Z				Output Disabled

$(Q_T - CP)$ = Output state prior to clock edge
 NC = No change

A/R = Assumes required output state;
 High except during Overflow and Underflow

X = Don't care

LOGIC DIAGRAM

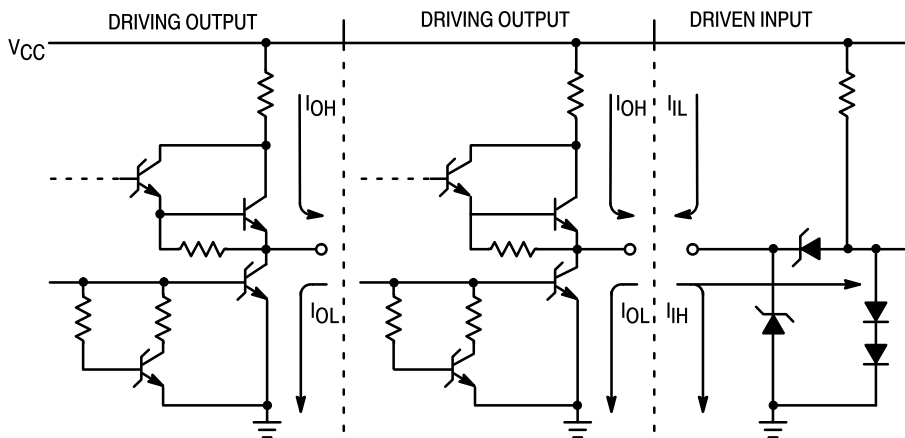


SN54/74LS569A

DEFINITION OF FUNCTIONAL TERMS

A, B, C, D	The four programmable data inputs.	$\overline{\text{ACLR}}$	Asynchronous Clear. <u>Master</u> reset of counters to zero when $\overline{\text{ACLR}}$ is LOW, independent of the clock.
$\overline{\text{CEP}}$	Count Enable Parallel. Can be used to enable and inhibit <u>counting</u> in high speed cascaded operation. CEP must be LOW to count.	$\overline{\text{SCLR}}$	Synchronous clear of <u>counters</u> to zero on the next clock edge when $\overline{\text{SCLR}}$ is LOW.
$\overline{\text{CET}}$	Count Enable Trickle. Enables the ripple carry output for cascaded operation. Must be LOW to count.	$\overline{\text{OE}}$	A HIGH on the output control sets the four counter outputs in the high impedance, and a LOW, enables the output.
CP	Clock Pulse. All synchronous functions occur on the LOW-to-HIGH transition of the clock.	Y_A, Y_B, Y_C, Y_D	The four counter outputs.
$\overline{\text{LOAD}}$	Enables parallel load of counter outputs from data inputs on the next clock edge. Must be HIGH to count.	$\overline{\text{RCO}}$	Ripple Carry Output. Output will be LOW on the <u>maximum count</u> on up-count. Upon down-count, RCO is LOW at 0000.
$\overline{\text{U/D}}$	Up/Down Count Control. HIGH counts up and LOW counts down.	CCO	<u>Clock</u> Carry Output. While counting and RCO is LOW, CCO will follow the clock HIGH-LOW-HIGH transition.

LOW-POWER SCHOTTKY INPUT/OUTPUT CURRENT INTERFACE CONDITIONS



Note: Actual current flow direction shown

SN54/74LS569A

DC CHARACTERISTICS OVER OPERATING TEMPERATURE RANGE (unless otherwise specified)

Symbol	Parameter		Limits			Unit	Test Conditions
			Min	Typ	Max		
V _{IH}	Input HIGH Voltage		2.0			V	Guaranteed Input HIGH Voltage for All Inputs
V _{IL}	Input LOW Voltage	54			0.7	V	Guaranteed Input LOW Voltage for All Inputs
		74			0.8		
V _{IK}	Input Clamp Diode Voltage			-0.65	-1.5	V	V _{CC} = MIN, I _{IN} = -18 mA
V _{OH}	Output HIGH Voltage	YA-YD	54	2.4	3.4	V	V _{CC} = MIN, I _{OH} = MAX, V _{IN} = V _{IH} or V _{IL} per Truth Table
			74	2.4	3.1	V	
	RCO, CCO	54	2.5	3.5	V		
		74	2.7	3.5	V		
V _{OL}	Output LOW Voltage	54, 74		0.25	0.4	V	I _{OL} = I _{OL} MAX V _{CC} = V _{CC} MIN, V _{IN} = V _{IL} or V _{IH} per Truth Table
		74		0.35	0.5	V	
I _{OZH}	Output Off Current HIGH				20	μA	V _{CC} = MAX, V _O = 2.7 V
I _{OZL}	Output Off Current LOW				-20	μA	V _{CC} = MAX, V _O = 0.4 V
I _{IH}	Input HIGH Current				20	μA	V _{CC} = MAX, V _{IN} = 2.7 V
					0.1	mA	V _{CC} = MAX, V _{IN} = 7.0 V
I _{IL}	Input LOW Current	Others			-0.4	mA	V _{CC} = MAX, V _{IN} = 0.4 V
		CET			-0.8	mA	
I _{OS}	Short Circuit Current (Note 1)	RCO, CCO	-20		-100	mA	V _{CC} = MAX
		Others	-30		-130	mA	
I _{CC}	Power Supply Current, 3-State				43	mA	V _{CC} = MAX

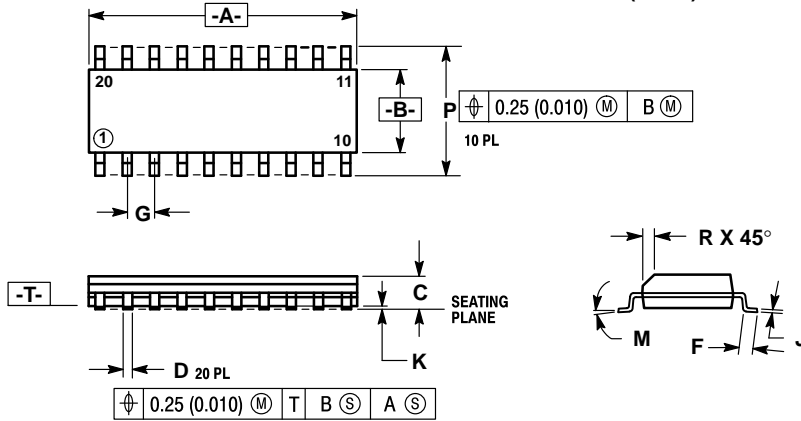
Note 1: Not more than one output should be shorted at a time, nor for more than 1 second.

AC CHARACTERISTICS (T_A = 25°C)

Symbol	Parameter		Limits			Unit	Test Conditions
			Min	Typ	Max		

f _{MAX}	Maximum Toggle Frequency	35			MHz	$V_{CC} = 5.0\text{ V}$ $C_L = 45\text{ pF}$ $R_L = 667\ \Omega$
t _{PLH} t _{PHL}	Propagation Delay Clock to Q			15 20	ns	
t _{PLH} t _{PHL}	Propagation Delay CET to RCO			14 15	ns	
t _{PLH} t _{PHL}	Propagation Delay U/D to RCO			20 24	ns	
t _{PLH} t _{PHL}	Propagation Delay Clock to RCO			20 25	ns	
t _{PLH} t _{PHL}	Propagation Delay CET to CCO			16 28	ns	
t _{PLH} t _{PHL}	Propagation Delay CEP to CCO			16 26	ns	
t _{PLH} t _{PHL}	Propagation Delay Clock to CCO			15 17	ns	
t _{PLH} t _{PHL}	Propagation Delay ACLR to Q			22 32	ns	
t _{PZH} t _{PZL}	Output Enable Time			15 20	ns	
t _{PHZ} t _{PLZ}	Output Disable Time			20 27	ns	

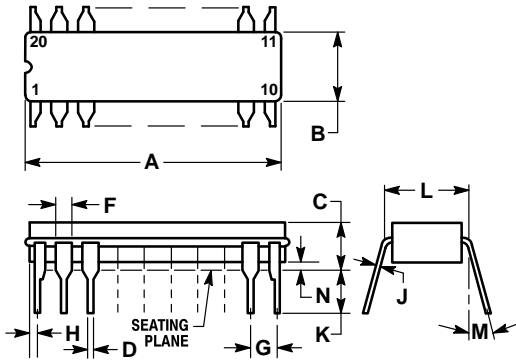
**Case 751D-03 DW Suffix
20-Pin Plastic
SO-20 (WIDE)**



- NOTES:
1. DIMENSIONING AND TOLERANCING PER ANSI Y14.5M, 1982.
 2. CONTROLLING DIMENSION: MILLIMETER.
 3. DIMENSION A AND B DO NOT INCLUDE MOLD PROTRUSION.
 4. MAXIMUM MOLD PROTRUSION 0.15 (0.006) PER SIDE.
 5. 751D-01, AND -02 OBSOLETE, NEW STANDARD 751D-03.

DIM	MILLIMETERS		INCHES	
	MIN	MAX	MIN	MAX
A	12.65	12.95	0.499	0.510
B	7.40	7.60	0.292	0.299
C	2.35	2.65	0.093	0.104
D	0.35	0.49	0.014	0.019
F	0.50	0.90	0.020	0.035
G	1.27 BSC		0.050 BSC	
J	0.25	0.32	0.010	0.012
K	0.10	0.25	0.004	0.009
M	0°	7°	0°	7°
P	10.05	10.55	0.395	0.415
R	0.25	0.75	0.010	0.029

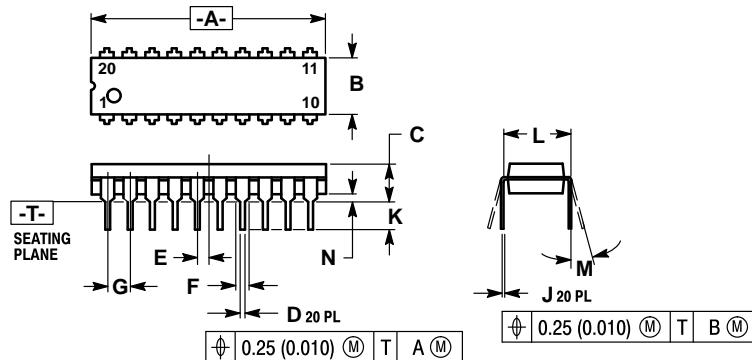
**Case 732-03 J Suffix
20-Pin Ceramic Dual In-Line**



- NOTES:
1. LEADS WITHIN 0.25 mm (0.010) DIA., TRUE POSITION AT SEATING PLANE, AT MAXIMUM MATERIAL CONDITION.
 2. DIM L TO CENTER OF LEADS WHEN FORMED PARALLEL.
 3. DIM A AND B INCLUDES MENISCUS.

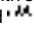
DIM	MILLIMETERS		INCHES	
	MIN	MAX	MIN	MAX
A	23.88	25.15	0.940	0.990
B	6.60	7.49	0.260	0.295
C	3.81	5.08	0.150	0.200
D	0.38	0.56	0.015	0.022
F	1.40	1.65	0.055	0.065
G	2.54 BSC		0.100 BSC	
H	0.51	1.27	0.020	0.050
J	0.20	0.30	0.008	0.012
K	3.18	4.06	0.125	0.160
L	7.62 BSC		0.300 BSC	
M	0°	15°	0°	15°
N	0.25	1.02	0.010	0.040

**Case 738-03 N Suffix
20-Pin Plastic**



- NOTES:
1. DIMENSIONING AND TOLERANCING PER ANSI Y14.5M, 1982.
 2. CONTROLLING DIMENSION: INCH.
 3. DIMENSION "L" TO CENTER OF LEAD WHEN FORMED PARALLEL.
 4. DIMENSION "B" DOES NOT INCLUDE MOLD FLASH.
 5. 738-02 OBSOLETE, NEW STANDARD 738-03.

DIM	MILLIMETERS		INCHES	
	MIN	MAX	MIN	MAX
A	25.66	27.17	1.010	1.070
B	6.10	6.60	0.240	0.260
C	3.81	4.57	0.150	0.180
D	0.39	0.55	0.015	0.022
E	1.27 BSC		0.050 BSC	
F	1.27	1.77	0.050	0.070
G	2.54 BSC		0.100 BSC	
J	0.21	0.38	0.008	0.015
K	2.80	3.55	0.110	0.140
L	7.62 BSC		0.300 BSC	
M	0°	15°	0°	15°
N	0.51	1.01	0.020	0.040

Motorola reserves the right to make changes without further notice to any products herein. Motorola makes no warranty, representation or guarantee regarding the suitability of its products for any particular purpose, nor does Motorola assume any liability arising out of the application or use of any product or circuit, and specifically disclaims any and all liability, including without limitation consequential or incidental damages. "Typical" parameters can and do vary in different applications. All operating parameters, including "Typicals" must be validated for each customer application by customer's technical experts. Motorola does not convey any license under its patent rights nor the rights of others. Motorola products are not designed, intended, or authorized for use as components in systems intended for surgical implant into the body, or other applications intended to support or sustain life, or for any other application in which the failure of the Motorola product could create a situation where personal injury or death may occur. Should Buyer purchase or use Motorola products for any such unintended or unauthorized application, Buyer shall indemnify and hold Motorola and its officers, employees, subsidiaries, affiliates, and distributors harmless against all claims, costs, damages, and expenses, and reasonable attorney fees arising out of, directly or indirectly, any claim of personal injury or death associated with such unintended or unauthorized use, even if such claim alleges that Motorola was negligent regarding the design or manufacture of the part. Motorola and  are registered trademarks of Motorola, Inc. Motorola, Inc. is an Equal Opportunity/Affirmative Action Employer.

Literature Distribution Centers:

USA: Motorola Literature Distribution; P.O. Box 20912; Phoenix, Arizona 85036.

EUROPE: Motorola Ltd.; European Literature Centre; 88 Tanners Drive, Blakelands, Milton Keynes, MK14 5BE, England.

JAPAN: Nippon Motorola Ltd.; 4-32-1, Nishi-Gotanda, Shinagawa-ku, Tokyo 141, Japan.

ASIA PACIFIC: Motorola Semiconductors H.K. Ltd.; Silicon Harbour Center, No. 2 Dai King Street, Tai Po Industrial Estate, Tai Po, N.T., Hong Kong.

SYMBOL	SW1	SW2
tpZH	Open	Closed
tpZL	Closed	Open
tpLZ	Closed	Closed

