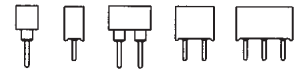


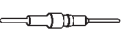


#### Receptacles, solder tail

Accept square pins  $\square 0.635$  mm  
and round pins  $\varnothing 0.70-0.80$  mm

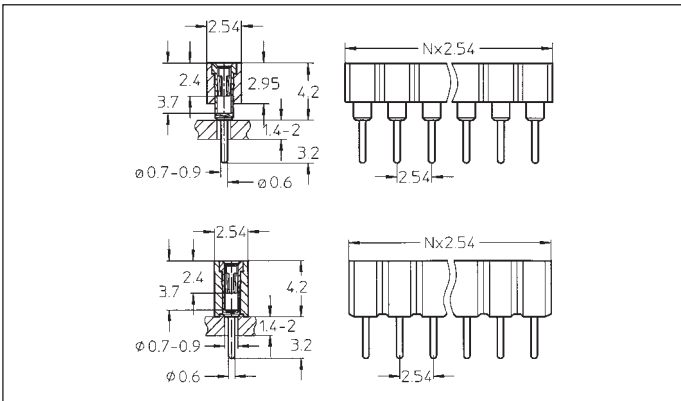


For corresponding pin connectors see  
pages 30 to 35

Platings	Sleeve 	Clip 	Pin 
91	5 $\mu$ m Sn Pb	0.25 $\mu$ m Au	
93	5 $\mu$ m Sn Pb	0.75 $\mu$ m Au	
99	5 $\mu$ m Sn Pb	5 $\mu$ m Sn Pb	

#### Ordering information

Replace **xxx** with the number of poles, e.g. 803-91-**xxx**-10-012  
for a double row version with 8 pins per row becomes:  
803-91-**016**-10-012



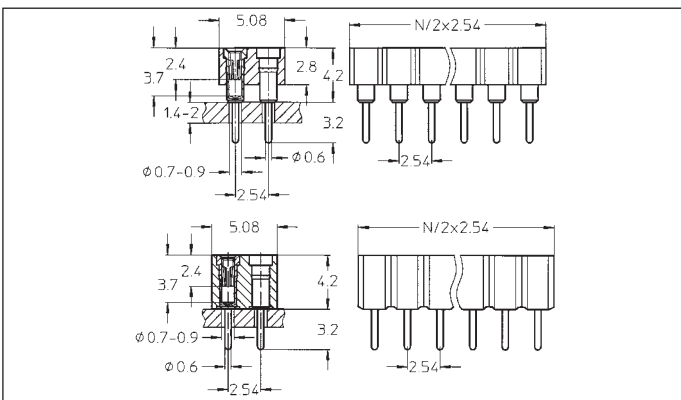
- 801-91-xxx-10-002 **B**
- 801-93-xxx-10-002 **B**
- 801-99-xxx-10-002 **B**

Straight receptacle: solder tail,  
single row, low profile  
h = 4.2 mm

...-002: Availability from: 1 to 64  
contacts  
Standard number of contacts 64

- 801-91-xxx-10-012
- 801-93-xxx-10-012
- 801-99-xxx-10-012

...-012: Availability from: 1 to 32  
contacts  
Standard number of contacts 14,  
20 and 32



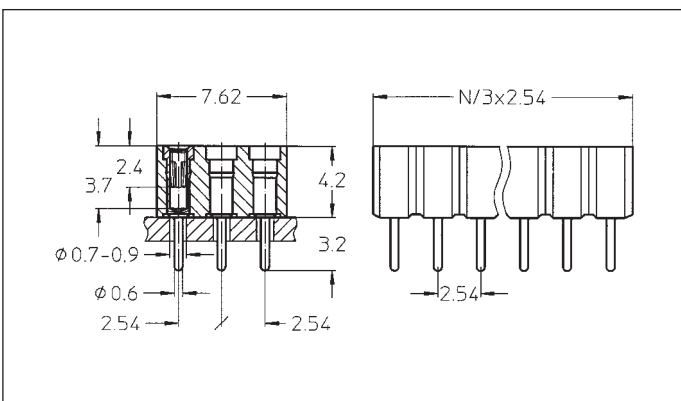
- 803-91-xxx-10-002 **B**
- 803-93-xxx-10-002 **B**
- 803-99-xxx-10-002 **B**

Straight receptacle: solder tail,  
double row, low profile  
h = 4.2 mm

...-002: Availability from: 4 to 72  
contacts  
Standard number of contacts 40,  
44, 56, 64 and 72

- 803-91-xxx-10-012
- 803-93-xxx-10-012
- 803-99-xxx-10-012

...-012: Availability from: 4 to 64  
contacts  
Standard number of contacts 64



- 805-91-xxx-10-012
- 805-93-xxx-10-012
- 805-99-xxx-10-012

Straight receptacle: solder tail,  
triple row, low profile  
h = 4.2 mm

Availability from: 9 to 96 contacts  
Standard number of contacts 96