



### GENERAL DESCRIPTION

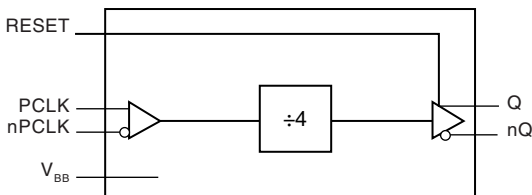


The ICS873033 is a high speed, high performance Differential-to-3.3V, 5V LVPECL/ECL Clock Generator and a member of the HiPerClockS™ family of High Performance Clock Solutions from ICS. The ICS873033 is characterized to operate from either a 3.3V or a 5V power supply.

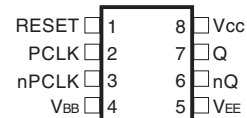
### FEATURES

- One differential 3.3V, 5V LVPECL/ ECL output
- One differential PCLK, nPCLK input pair
- PCLK, nPCLK pair can accept the following differential input levels: LVPECL, LVDS, CML, SSTL
- Input frequency: 3.2GHz (maximum)
- Translates any single ended input signal to 3.3V LVPECL levels with resistor bias on nPCLK input
- Additive phase jitter, RMS: 0.20ps (typical)
- LVPECL mode operating voltage supply range:  $V_{CC} = 3.0V$  to  $5.5V$ ,  $V_{EE} = 0V$
- ECL mode operating voltage supply range:  $V_{CC} = 0V$ ,  $V_{EE} = -5.5V$  to  $-3.0V$
- $-40^{\circ}C$  to  $85^{\circ}C$  ambient operating temperature
- Available in both standard and lead-free RoHS-compliant packages

### BLOCK DIAGRAM



### PIN ASSIGNMENT



#### ICS873033 8-Lead SOIC

3.90mm x 4.90mm x 1.37mm package body

#### M Package Top View

#### ICS873033

#### 8-Lead TSSOP, 118 mil

3mm x 3mm x 0.95mm package body

#### G Package Top View

The Preliminary Information presented herein represents a product in prototyping or pre-production. The noted characteristics are based on initial product characterization. Integrated Circuit Systems, Incorporated (ICS) reserves the right to change any circuitry or specifications without notice.



**TABLE 1. PIN DESCRIPTIONS**

Number	Name	Type	Description	
1	RESET	Input	Pulldown	Reset pin. Single-ended 100h LVPECL interface levels.
2	PCLK	Input	Pulldown	Clock input. Default LOW when left floating. LVPECL interface levels.
3	nPCLK	Input	Pulldown	Clock input. LVPECL interface levels.
4	V <sub>BB</sub>	Output		Bias voltage.
5	V <sub>EE</sub>	Power		Negative supply pin.
6, 7	nQ, Q	Output		Differential output pair. LVPECL interface levels.
8	V <sub>CC</sub>	Power		Positive supply pin.

NOTE: *Pulldown* refers to internal input resistors. See Table 2, Pin Characteristics, for typical values.

**TABLE 2. PIN CHARACTERISTICS**

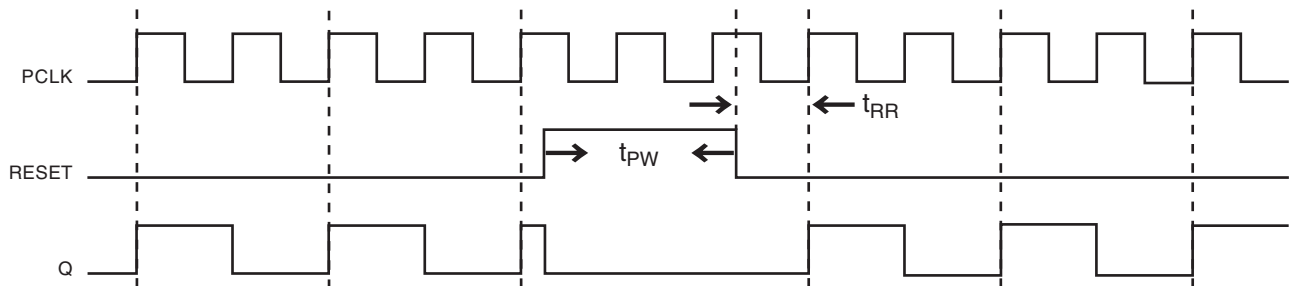
Symbol	Parameter	Test Conditions	Minimum	Typical	Maximum	Units
R <sub>PULLDOWN</sub>	Input Pulldown Resistor			75		kΩ

**TABLE 3. TRUTH TABLE**

Inputs			Outputs	
PCLK	nPCLK	RESET	Q	nQ
X	X	LH	L	H
LH	HL	L	÷4	÷4

LH = LOW to HIGH transition

HL = HIGH to LOW transition



**FIGURE 1. TIMING DIAGRAM**



### ABSOLUTE MAXIMUM RATINGS

Supply Voltage, $V_{CC}$	6V (LVPECL mode, $V_{EE} = 0$ )
Negative Supply Voltage, $V_{EE}$	-6V (ECL mode, $V_{CC} = 0$ )
Inputs, $V_I$ (LVPECL mode)	-0.5V to $V_{CC} + 0.5V$
Inputs, $V_I$ (ECL mode)	0.5V to $V_{EE} - 0.5V$
Outputs, $I_o$	
Continuous Current	50mA
Surge Current	100mA
$V_{BB}$ Sink/Source, $I_{BB}$	$\pm 0.5mA$
Operating Temperature Range, $T_A$	-40°C to +85°C
Storage Temperature, $T_{STG}$	-65°C to 150°C
Package Thermal Impedance, $\theta_{JA}$	112.7°C/W (0 lfpm)
(Junction-to-Ambient) for 8 Lead SOIC	
Package Thermal Impedance, $\theta_{JA}$	101.7°C/W (0 m/s)
(Junction-to-Ambient) for 8 Lead TSSOP	

**NOTE:** Stresses beyond those listed under Absolute Maximum Ratings may cause permanent damage to the device. These ratings are stress specifications only. Functional operation of product at these conditions or any conditions beyond those listed in the *DC Characteristics* or *AC Characteristics* is not implied. Exposure to absolute maximum rating conditions for extended periods may affect product reliability.

**TABLE 4A. POWER SUPPLY DC CHARACTERISTICS,  $V_{CC} = 3.0V$  TO  $5.5V$ ;  $V_{EE} = 0V$**

Symbol	Parameter	Test Conditions	Minimum	Typical	Maximum	Units
$V_{CC}$	Positive Supply Voltage		3.0	3.3	5.5	V
$I_{EE}$	Power Supply Current				30	mA

**TABLE 4B. LVPECL DC CHARACTERISTICS,  $V_{CC} = 3.3V$ ;  $V_{EE} = 0V$**

Symbol	Parameter	-40°C			25°C			85°C			Units
		Min	Typ	Max	Min	Typ	Max	Min	Typ	Max	
$V_{OH}$	Output High Voltage; NOTE 1	2.175	2.275	2.38	2.225	2.295	2.37	2.295	2.33	2.365	V
$V_{OL}$	Output Low Voltage; NOTE 1	1.405	1.545	1.68	1.425	1.52	1.615	1.44	1.535	1.63	V
$V_{IH}$	Input High Voltage(Single-Ended)	2.075		2.36	2.075		2.36	2.075		2.36	V
$V_{IL}$	Input Low Voltage(Single-Ended)	1.43		1.765	1.43		1.765	1.43		1.765	V
$V_{BB}$	Output Voltage Reference	1.86		1.98	1.86		1.98	1.86		1.98	V
$V_{PP}$	Peak-to-Peak Input Voltage	150	800	1200	150	800	1200	150	800	1200	mV
$V_{CMR}$	Input High Voltage Common Mode Range; NOTE 2, 3	1.2		3.3	1.2		3.3	1.2		3.3	V
$I_{IH}$	Input High Current	PCLK, nPCLK		150			150			150	$\mu A$
$I_{IL}$	Input Low Current	PCLK, nPCLK		-10			-10			-10	$\mu A$

Input and output parameters vary 1:1 with  $V_{CC}$ .  $V_{EE}$  can vary +0.3V to -2.2V.

NOTE 1: Outputs terminated with 50 $\Omega$  to  $V_{CC} - 2V$ .

NOTE 2: Common mode voltage is defined as  $V_{IH}$ .

NOTE 3: For single-ended applications, the maximum input voltage for PCLK, nPCLK is  $V_{CC} + 0.3V$ .



**TABLE 4C. LVPECL DC CHARACTERISTICS,  $V_{CC} = 5V$ ;  $V_{EE} = 0V$**

Symbol	Parameter	-40°C			25°C			85°C			Units
		Min	Typ	Max	Min	Typ	Max	Min	Typ	Max	
$V_{OH}$	Output High Voltage; NOTE 1	3.875	3.975	4.08	3.925	3.995	4.07	3.995	4.03	4.065	V
$V_{OL}$	Output Low Voltage; NOTE 1	3.105	3.245	3.38	3.125	3.22	3.315	3.14	3.235	3.33	V
$V_{IH}$	Input High Voltage(Single-Ended)	3.775		4.06	3.775		4.06	3.775		4.06	V
$V_{IL}$	Input Low Voltage(Single-Ended)	3.13		3.465	3.13		3.465	3.13		3.465	V
$V_{BB}$	Output Voltage Reference	3.56		3.68	3.56		3.68	3.56		3.68	V
$V_{PP}$	Peak-to-Peak Input Voltage	150	800	1200	150	800	1200	150	800	1200	mV
$V_{CMR}$	Input High Voltage Common Mode Range; NOTE 2, 3	1.2		5	1.2		5	1.2		5	V
$I_{IH}$	Input High Current	PCLK, nPCLK		150			150			150	μA
$I_{IL}$	Input Low Current	PCLK, nPCLK		-10			-10			-10	μA

Input and output parameters vary 1:1 with  $V_{CC}$ .  $V_{EE}$  can vary +2V to -0.5V.

NOTE 1: Outputs terminated with 50Ω to  $V_{CC} - 2V$ .

NOTE 2: Common mode voltage is defined as  $V_{IH}$ .

NOTE 3: For single-ended applications, the maximum input voltage for PCLK, nPCLK is  $V_{CC} + 0.3V$ .

**TABLE 4D. ECL DC CHARACTERISTICS,  $V_{CC} = 0V$ ;  $V_{EE} = -5.5V$  TO  $-3.0V$**

Symbol	Parameter	-40°C			25°C			85°C			Units
		Min	Typ	Max	Min	Typ	Max	Min	Typ	Max	
$V_{OH}$	Output High Voltage; NOTE 1	-1.125	-1.025	-0.92	-1.075	-1.005	-0.93	-1.005	-0.97	-0.935	V
$V_{OL}$	Output Low Voltage; NOTE 1	-1.895	-1.755	-1.62	-1.875	-1.78	-1.685	-1.86	-1.765	-1.67	V
$V_{IH}$	Input High Voltage(Single-Ended)	-1.225		-0.94	-1.225		-0.94	-1.225		-0.94	V
$V_{IL}$	Input Low Voltage(Single-Ended)	-1.87		-1.535	-1.87		-1.535	-1.87		-1.535	V
$V_{BB}$	Output Voltage Reference	-1.44		-1.32	-1.44		-1.32	-1.44		-1.32	V
$V_{PP}$	Peak-to-Peak Input Voltage	150	800	1200	150	800	1200	150	800	1200	mV
$V_{CMR}$	Input High Voltage Common Mode Range; NOTE 2, 3	$V_{EE} + 1.2V$		0	$V_{EE} + 1.2V$		0	$V_{EE} + 1.2V$		0	V
$I_{IH}$	Input High Current	PCLK, nPCLK		150			150			150	μA
$I_{IL}$	Input Low Current	PCLK, nPCLK		-10			-10			-10	μA

Input and output parameters vary 1:1 with  $V_{CC}$ .

NOTE 1: Outputs terminated with 50Ω to  $V_{CC} - 2V$ .

NOTE 2: Common mode voltage is defined as  $V_{IH}$ .

NOTE 3: For single-ended applications, the maximum input voltage for PCLK, nPCLK is  $V_{CC} + 0.3V$ .



**TABLE 5. AC CHARACTERISTICS,  $V_{CC} = 0V$ ;  $V_{EE} = -5.5V$  TO  $-3.0V$  OR  $V_{CC} = 3.0V$  TO  $5.5V$ ;  $V_{EE} = 0V$**

Symbol	Parameter		-40°C			25°C			85°C			Units
			Min	Typ	Max	Min	Typ	Max	Min	Typ	Max	
$f_{MAX}$	Input Frequency				3.2			3.2			3.2	GHz
$t_{PD}$	Propagation Delay; NOTE 1		300		475	300	430	530	350	450	550	ps
$f_{jit}(\emptyset)$	Buffer Additive Phase Jitter, RMS; 155.52MHz, Integration Range 12kHz - 20MHz; Refer to Additive Phase Jitter Section			0.20			0.20			0.20		ps
$t_{RR}$	Set/Reset Recovery; NOTE 2		150	100		200	100		200	100		ps
$t_R/t_F$	Output Rise/Fall Time	20% to 80%	100		250	100		250	100		250	ps
$t_{PW}$	Pulse Width; NOTE 3	RESET	550	480		550	480		550	480		ps

All parameters are measured at  $f \leq 1.7GHz$ , unless otherwise noted.

NOTE 1: Measured from the differential input crossing point to the differential output crossing point.

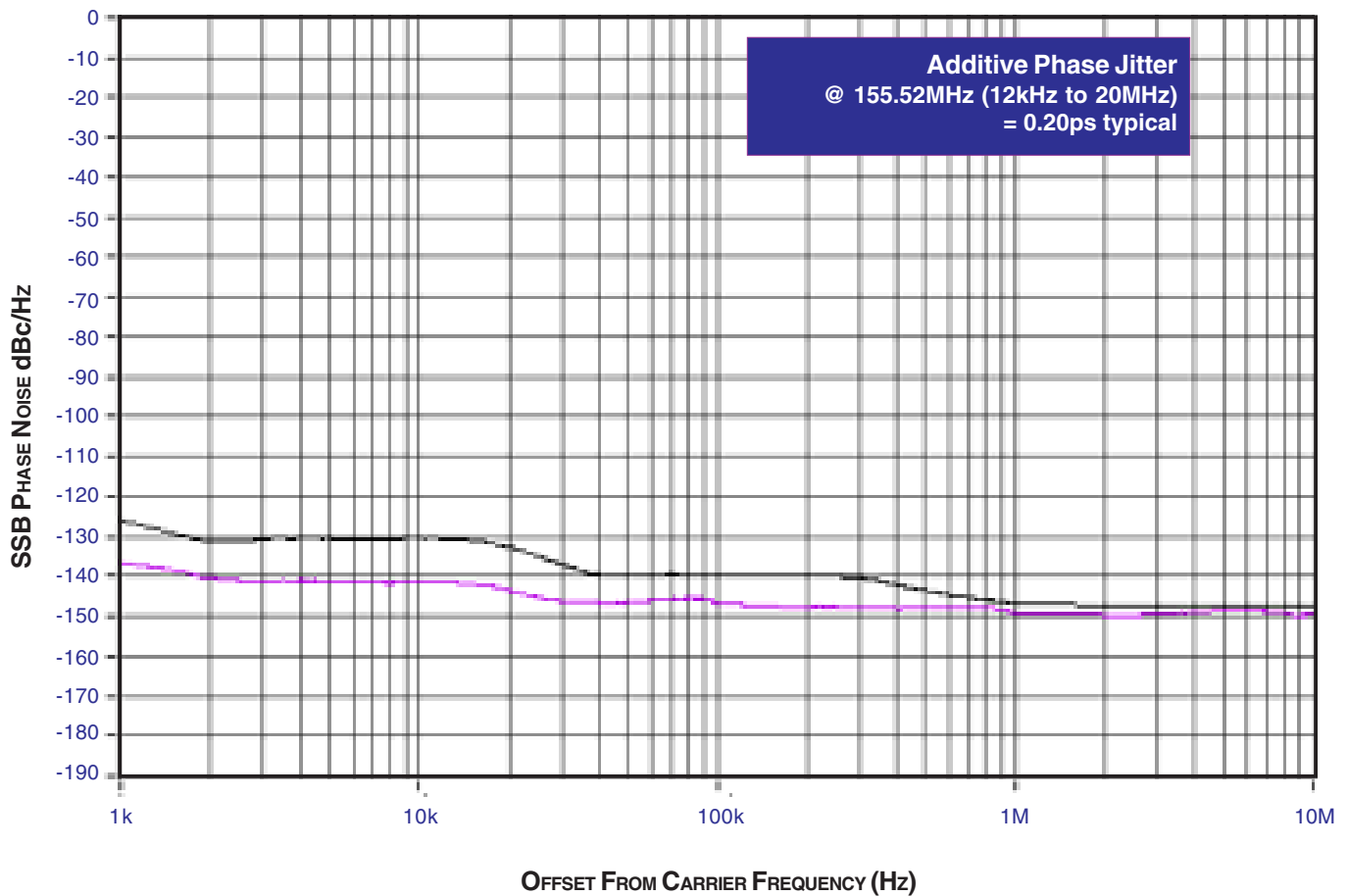
NOTE 2: See Figure 1, Timing Diagram.



### ADDITIVE PHASE JITTER

The spectral purity in a band at a specific offset from the fundamental compared to the power of the fundamental is called the **dBc Phase Noise**. This value is normally expressed using a Phase noise plot and is most often the specified plot in many applications. Phase noise is defined as the ratio of the noise power present in a 1Hz band at a specified offset from the fundamental frequency to the power value of the fundamental. This ratio is expressed in decibels (dBm) or a

ratio of the power in the 1Hz band to the power in the fundamental. When the required offset is specified, the phase noise is called a **dBc** value, which simply means dBm at a specified offset from the fundamental. By investigating jitter in the frequency domain, we get a better understanding of its effects on the desired application over the entire time record of the signal. It is mathematically possible to calculate an expected bit error rate given a phase noise plot.

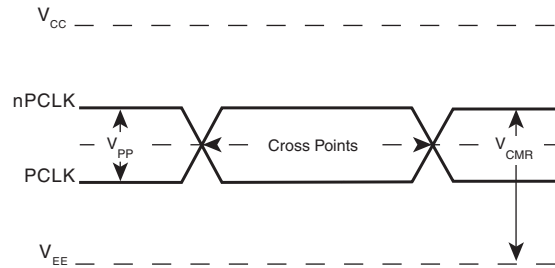
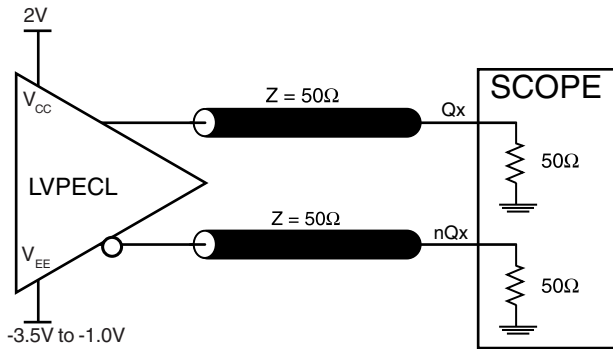


As with most timing specifications, phase noise measurements have issues. The primary issue relates to the limitations of the equipment. Often the noise floor of the equipment is higher than the noise floor of the device. This is illustrated

above. The device meets the noise floor of what is shown, but can actually be lower. The phase noise is dependant on the input source and measurement equipment.

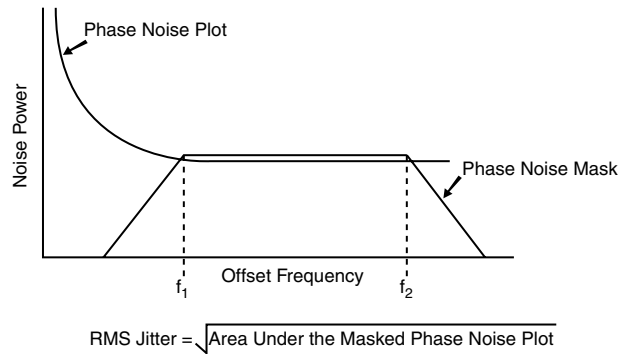
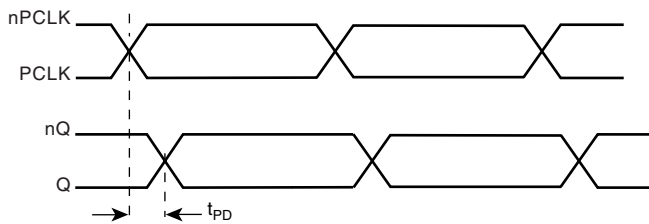


## PARAMETER MEASUREMENT INFORMATION



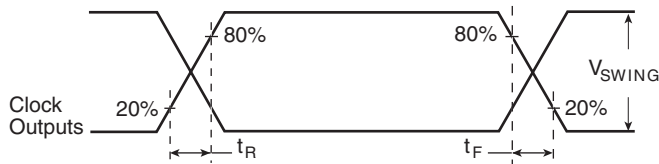
**OUTPUT LOAD AC TEST CIRCUIT**

**DIFFERENTIAL INPUT LEVEL**



**PROPAGATION DELAY**

**RMS PHASE JITTER**



**OUTPUT RISE/FALL TIME**

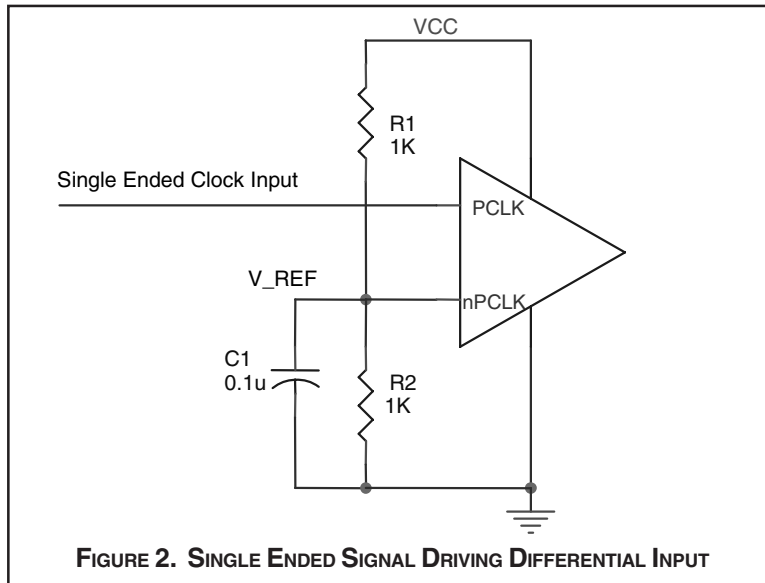


## APPLICATION INFORMATION

### WIRING THE DIFFERENTIAL INPUT TO ACCEPT SINGLE ENDED LEVELS

Figure 2 shows how the differential input can be wired to accept single ended levels. The reference voltage  $V_{REF} = V_{CC}/2$  is generated by the bias resistors R1, R2 and C1. This bias circuit should be located as close as possible to the input pin.

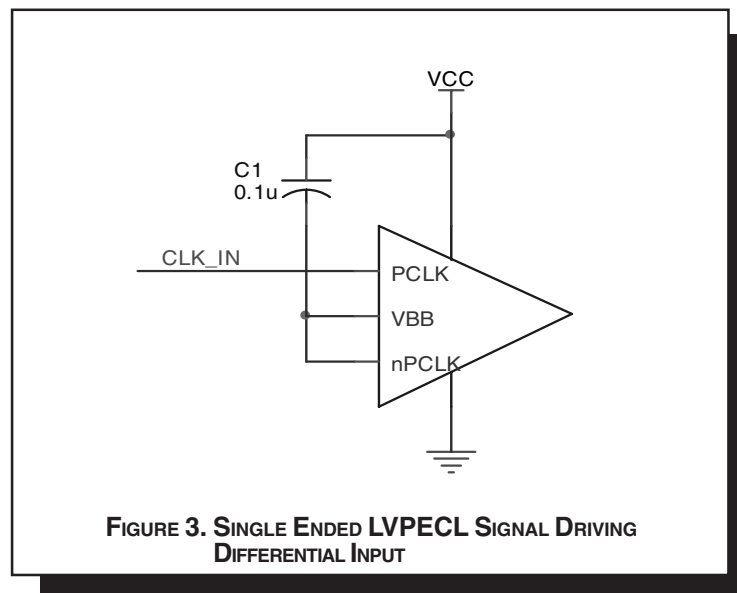
of R1 and R2 might need to be adjusted to position the  $V_{REF}$  in the center of the input voltage swing. For example, if the input clock swing is only 2.5V and  $V_{CC} = 3.3V$ ,  $V_{REF}$  should be 1.25V and  $R2/R1 = 0.609$ .



### WIRING THE DIFFERENTIAL INPUT TO ACCEPT SINGLE ENDED LEVELS

Figure 3 shows an example of the differential input that can be wired to accept single ended levels. The reference voltage level  $V_{BB}$  generated from the device is connected to the negative

input. The C1 capacitor should be located as close as possible to the input pin.



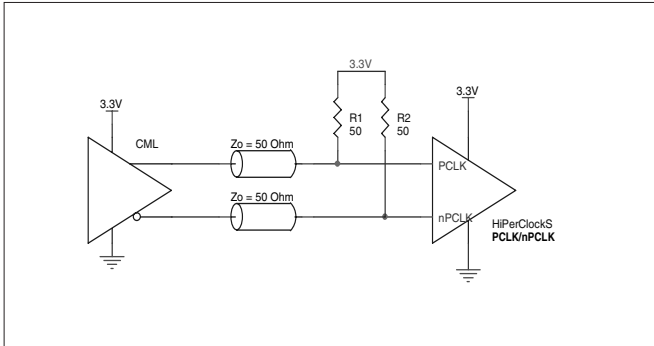




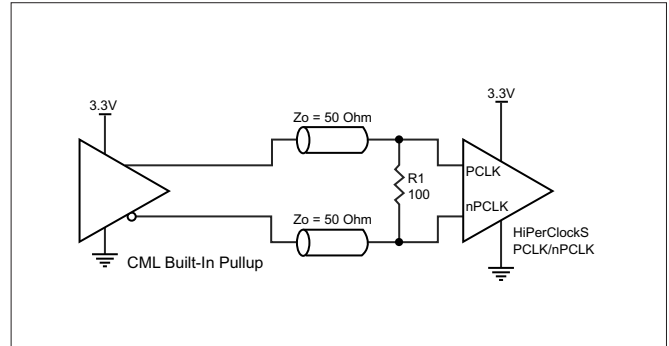
### LVPECL CLOCK INPUT INTERFACE

The PCLK /nPCLK accepts LVPECL, CML, SSTL and other differential signals. Both  $V_{SWING}$  and  $V_{OH}$  must meet the  $V_{PP}$  and  $V_{CMR}$  input requirements. Figures 4A to 4F show interface examples for the HiPerClockS PCLK/nPCLK input driven by the most common driver types. The input interfaces sug-

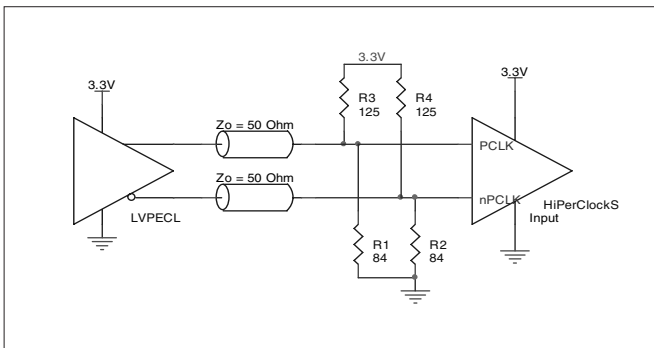
gested here are examples only. If the driver is from another vendor, use their termination recommendation. Please consult with the vendor of the driver component to confirm the driver termination requirements.



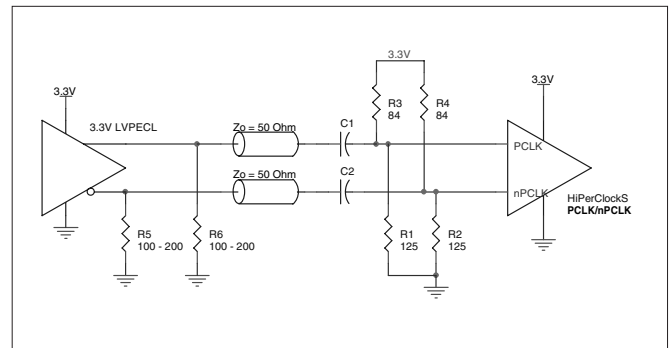
**FIGURE 4A. HiPerClockS PCLK/nPCLK INPUT DRIVEN BY AN OPEN COLLECTOR CML DRIVER**



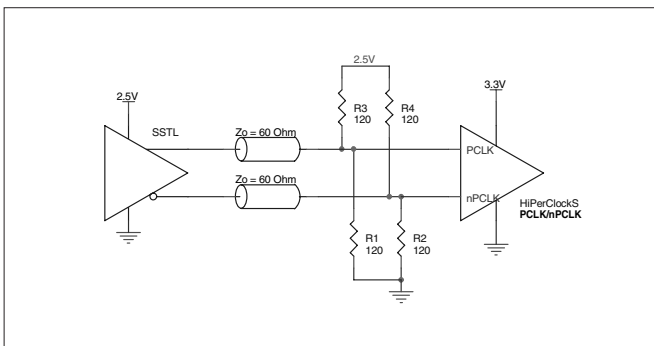
**FIGURE 4B. HiPerClockS PCLK/nPCLK INPUT DRIVEN BY A BUILT-IN PULLUP CML DRIVER**



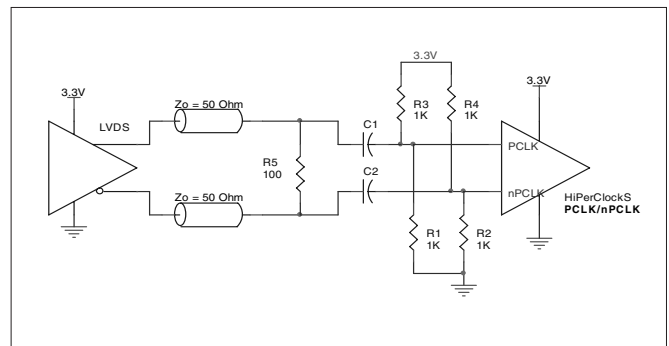
**FIGURE 4C. HiPerClockS PCLK/nPCLK INPUT DRIVEN BY A 3.3V LVPECL DRIVER**



**FIGURE 4D. HiPerClockS PCLK/nPCLK INPUT DRIVEN BY A 3.3V LVPECL DRIVER WITH AC COUPLE**



**FIGURE 4E. HiPerClockS PCLK/nPCLK INPUT DRIVEN BY AN SSTL DRIVER**



**FIGURE 4F. HiPerClockS PCLK/nPCLK INPUT DRIVEN BY A 3.3V LVDS DRIVER**



### TERMINATION FOR 3.3V LVPECL OUTPUTS

The clock layout topology shown below is a typical termination for LVPECL outputs. The two different layouts mentioned are recommended only as guidelines.

FOUT and nFOUT are low impedance follower outputs that generate ECL/LVPECL compatible outputs. Therefore, terminating resistors (DC current path to ground) or current sources must be used for functionality. These outputs are designed to drive

50Ω transmission lines. Matched impedance techniques should be used to maximize operating frequency and minimize signal distortion. *Figures 5A and 5B* show two different layouts which are recommended only as guidelines. Other suitable clock layouts may exist and it would be recommended that the board designers simulate to guarantee compatibility across all printed circuit and clock component process variations.

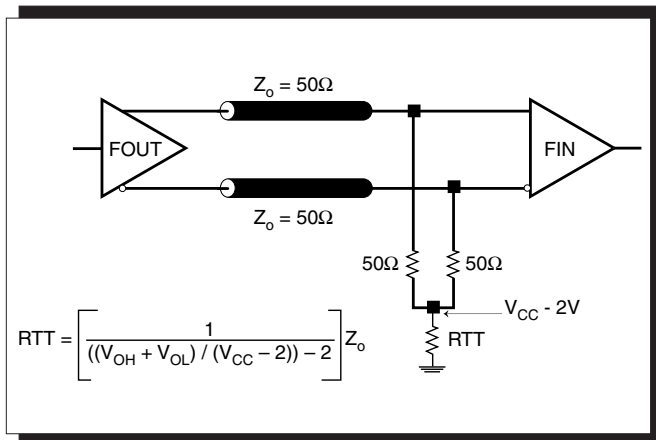


FIGURE 5A. LVPECL OUTPUT TERMINATION

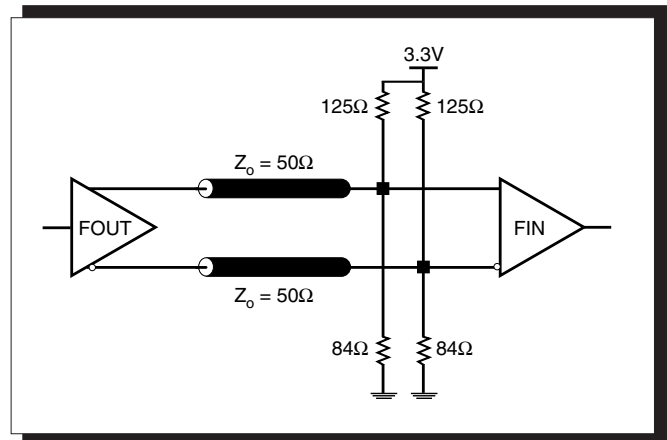


FIGURE 5B. LVPECL OUTPUT TERMINATION

### TERMINATION FOR 5V LVPECL OUTPUT

This section shows examples of 5V LVPECL output termination. *Figure 6A* shows standard termination for 5V LVPECL. The termination requires matched load of 50Ω resistors pull down to  $V_{CC} - 2V = 3V$  at the receiver. *Figure 6B* shows Thevenin

equivalence of Figure 6A. In actual application where the 3V DC power supply is not available, this approach is normally used.

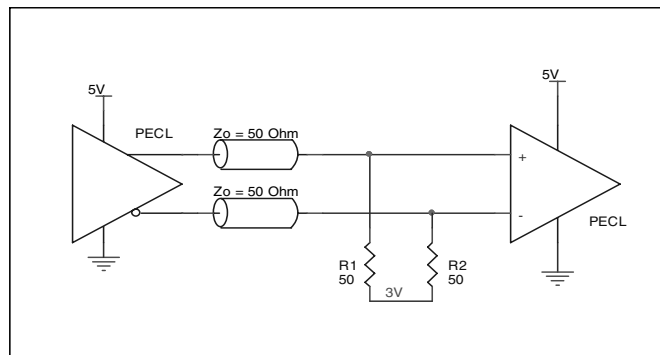


FIGURE 6A. STANDARD 5V PECL OUTPUT TERMINATION

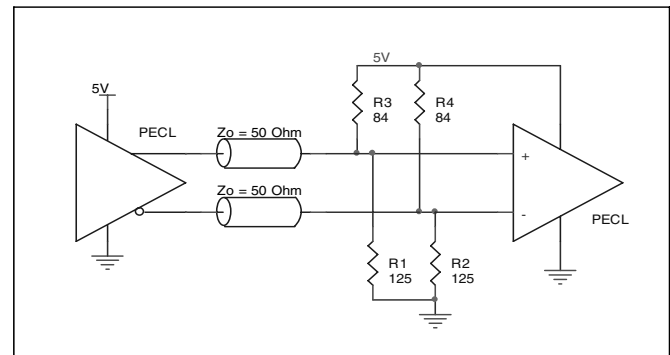


FIGURE 6B. 5V PECL OUTPUT TERMINATION EXAMPLE



## POWER CONSIDERATIONS

This section provides information on power dissipation and junction temperature for the ICS873033. Equations and example calculations are also provided.

### 1. Power Dissipation.

The total power dissipation for the ICS873033 is the sum of the core power plus the power dissipated in the load(s). The following is the power dissipation for  $V_{CC} = 5.5V$ , which gives worst case results.

**NOTE:** Please refer to Section 3 for details on calculating power dissipated in the load.

- Power (core)<sub>MAX</sub> =  $V_{CC\_MAX} * I_{EE\_MAX} = 5.5V * 30mA = 165mW$
- Power (outputs)<sub>MAX</sub> = **30.94mW/Loaded Output pair**

$$\text{Total Power}_{MAX} (5.5V, \text{ with all outputs switching}) = 165mW + 30.94mW = 195.94mW$$

### 2. Junction Temperature.

Junction temperature,  $T_j$ , is the temperature at the junction of the bond wire and bond pad and directly affects the reliability of the device. The maximum recommended junction temperature for HiPerClockS™ devices is 125°C.

The equation for  $T_j$  is as follows:  $T_j = \theta_{JA} * Pd\_total + T_A$

$T_j$  = Junction Temperature

$\theta_{JA}$  = Junction-to-Ambient Thermal Resistance

$Pd\_total$  = Total Device Power Dissipation (example calculation is in section 1 above)

$T_A$  = Ambient Temperature

In order to calculate junction temperature, the appropriate junction-to-ambient thermal resistance  $\theta_{JA}$  must be used. Assuming a moderate air flow of 200 linear feet per minute and a multi-layer board, the appropriate value is 103.3°C/W per Table 6A below.

Therefore,  $T_j$  for an ambient temperature of 85°C with all outputs switching is:

$$85^\circ C + 0.196W * 103.3^\circ C/W = 105.2^\circ C. \text{ This is well below the limit of } 125^\circ C.$$

This calculation is only an example.  $T_j$  will obviously vary depending on the number of loaded outputs, supply voltage, air flow, and the type of board (single layer or multi-layer).

**TABLE 6A. THERMAL RESISTANCE  $\theta_{JA}$  FOR 8-PIN SOIC, FORCED CONVECTION**

$\theta_{JA}$ by Velocity (Linear Feet per Minute)			
	0	200	500
Single-Layer PCB, JEDEC Standard Test Boards	153.3°C/W	128.5°C/W	115.5°C/W
Multi-Layer PCB, JEDEC Standard Test Boards	112.7°C/W	103.3°C/W	97.1°C/W

**NOTE:** Most modern PCB designs use multi-layered boards. The data in the second row pertains to most designs.

**TABLE 6B. THERMAL RESISTANCE  $\theta_{JA}$  FOR 8-PIN TSSOP, FORCED CONVECTION**

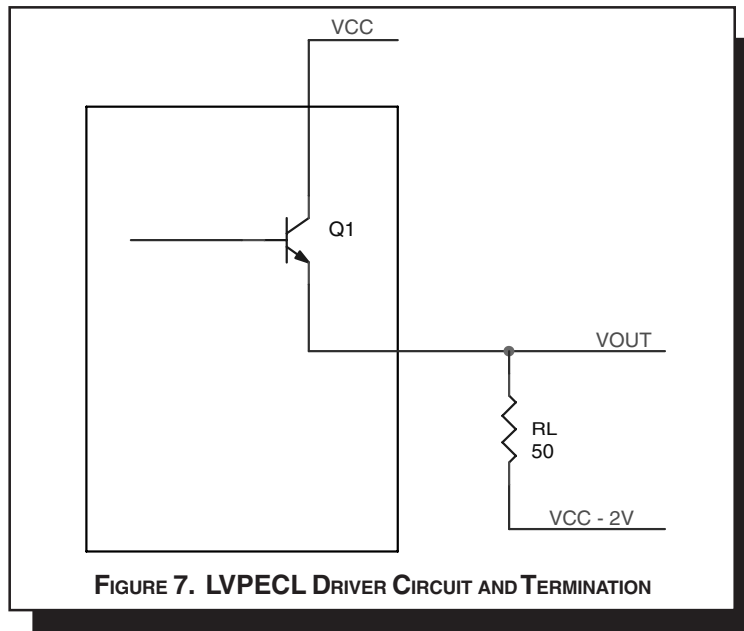
$\theta_{JA}$ by Velocity (Meters per Second)			
	0	1	2
Multi-Layer PCB, JEDEC Standard Test Boards	101.7°C/W	90.5°C/W	89.8°C/W



### 3. Calculations and Equations.

The purpose of this section is to derive the power dissipated into the load.

LVPECL output driver circuit and termination are shown in *Figure 7*.



To calculate worst case power dissipation into the load, use the following equations which assume a 50Ω load, and a termination voltage of  $V_{CC} - 2V$ .

- For logic high,  $V_{OUT} = V_{OH\_MAX} = V_{CC\_MAX} - 0.935V$   
 $(V_{CC\_MAX} - V_{OH\_MAX}) = 0.935V$
- For logic low,  $V_{OUT} = V_{OL\_MAX} = V_{CC\_MAX} - 1.67V$   
 $(V_{CC\_MAX} - V_{OL\_MAX}) = 1.67V$

$Pd\_H$  is power dissipation when the output drives high.  
 $Pd\_L$  is the power dissipation when the output drives low.

$$Pd\_H = [(V_{OH\_MAX} - (V_{CC\_MAX} - 2V))/R_L] * (V_{CC\_MAX} - V_{OH\_MAX}) = [(2V - (V_{CC\_MAX} - V_{OH\_MAX}))/R_L] * (V_{CC\_MAX} - V_{OH\_MAX}) = [(2V - 0.935V)/50\Omega] * 0.935V = 19.92mW$$

$$Pd\_L = [(V_{OL\_MAX} - (V_{CC\_MAX} - 2V))/R_L] * (V_{CC\_MAX} - V_{OL\_MAX}) = [(2V - (V_{CC\_MAX} - V_{OL\_MAX}))/R_L] * (V_{CC\_MAX} - V_{OL\_MAX}) = [(2V - 1.67V)/50\Omega] * 1.67V = 11.02mW$$

Total Power Dissipation per output pair =  $Pd\_H + Pd\_L = 30.94mW$



## RELIABILITY INFORMATION

**TABLE 7A.  $\theta_{JA}$  VS. AIR FLOW TABLE FOR 8 LEAD SOIC**

$\theta_{JA}$ by Velocity (Linear Feet per Minute)			
	0	200	500
Single-Layer PCB, JEDEC Standard Test Boards	153.3°C/W	128.5°C/W	115.5°C/W
Multi-Layer PCB, JEDEC Standard Test Boards	112.7°C/W	103.3°C/W	97.1°C/W

**NOTE:** Most modern PCB designs use multi-layered boards. The data in the second row pertains to most designs.

**TABLE 7B.  $\theta_{JA}$  VS. AIR FLOW TABLE FOR 8 LEAD TSSOP**

$\theta_{JA}$ by Velocity (Meters per Second)			
	0	1	2
Multi-Layer PCB, JEDEC Standard Test Boards	101.7°C/W	90.5°C/W	89.8°C/W

### TRANSISTOR COUNT

The transistor count for ICS873033 is: 165

Pin compatible with MC100EP33



PACKAGE OUTLINE - M SUFFIX FOR 8 LEAD SOIC

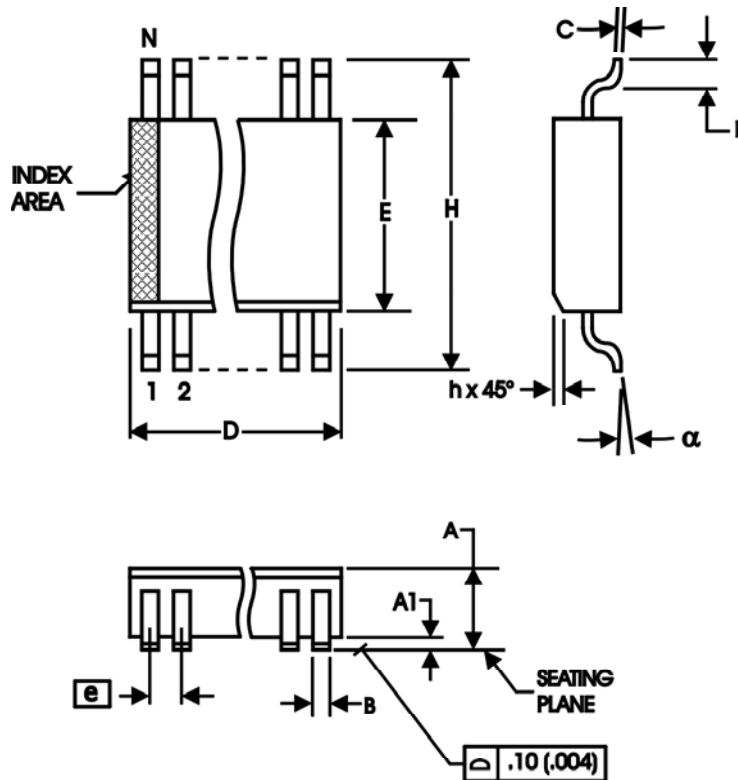


TABLE 8A. PACKAGE DIMENSIONS

SYMBOL	Millimeters	
	MINIMUM	MAXIMUM
N	8	
A	1.35	1.75
A1	0.10	0.25
B	0.33	0.51
C	0.19	0.25
D	4.80	5.00
E	3.80	4.00
e	1.27 BASIC	
H	5.80	6.20
h	0.25	0.50
L	0.40	1.27
α	0°	8°

Reference Document: JEDEC Publication 95, MS-012



PACKAGE OUTLINE - G SUFFIX FOR 8 LEAD TSSOP

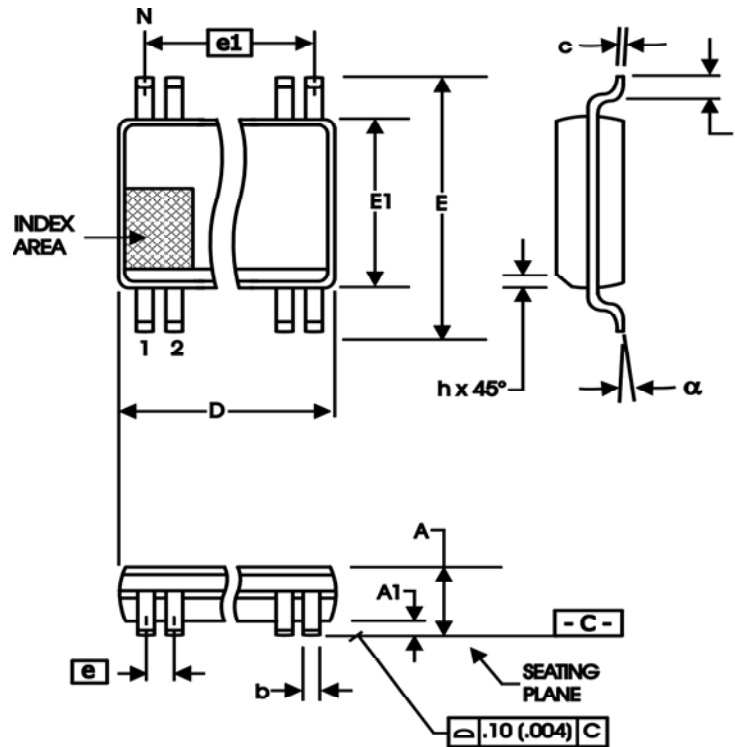


TABLE 8B. PACKAGE DIMENSIONS

SYMBOL	Millimeters	
	Minimum	Maximum
N	8	
A	--	1.10
A1	0	0.15
A2	0.79	0.97
b	0.22	0.38
c	0.08	0.23
D	3.00 BASIC	
E	4.90 BASIC	
E1	3.00 BASIC	
e	0.65 BASIC	
e1	1.95 BASIC	
L	0.40	0.80
α	0°	8°
aaa	--	0.10

Reference Document: JEDEC Publication 95, MO-187



Integrated  
Circuit  
Systems, Inc.

# ICS873033

## HIGH SPEED, ÷4 DIFFERENTIAL-TO- 3.3V, 5V LVPECL/ECL CLOCK GENERATOR

**TABLE 9. ORDERING INFORMATION**

Part/Order Number	Marking	Package	Shipping Packaging	Temperature
ICS873033AM	873033AM	8 lead SOIC	tube	-40°C to 85°C
ICS873033AMT	873033AM	8 lead SOIC	2500 tape & reel	-40°C to 85°C
ICS873033AMLF	873033AL	8 lead "Lead-Free" SOIC	tube	-40°C to 85°C
ICS873033AMLFT	873033AL	8 lead "Lead-Free" SOIC	2500 tape & reel	-40°C to 85°C
ICS873033AG	TBD	8 lead TSSOP	tube	-40°C to 85°C
ICS873033AGT	TBD	8 lead TSSOP	2500 tape & reel	-40°C to 85°C
ICS873033AGLF	TBD	8 lead "Lead-Free" TSSOP	tube	-40°C to 85°C
ICS873033AGLFT	TBD	8 lead "Lead-Free" TSSOP	2500 tape & reel	-40°C to 85°C

NOTE: Parts that are ordered with an "LF" suffix to the part number are the Pb-Free configuration and are RoHS compliant.

The aforementioned trademark, HiPerClockS is a trademark of Integrated Circuit Systems, Inc. or its subsidiaries in the United States and/or other countries.

While the information presented herein has been checked for both accuracy and reliability, Integrated Circuit Systems, Incorporated (ICS) assumes no responsibility for either its use or for infringement of any patents or other rights of third parties, which would result from its use. No other circuits, patents, or licenses are implied. This product is intended for use in normal commercial and industrial applications. Any other applications such as those requiring high reliability or other extraordinary environmental requirements are not recommended without additional processing by ICS. ICS reserves the right to change any circuitry or specifications without notice. ICS does not authorize or warrant any ICS product for use in life support devices or critical medical instruments.