



## 8XC196MH INDUSTRIAL MOTOR CONTROL CHMOS MICROCONTROLLER

- High Performance CHMOS 16-bit CPU
- 16 MHz Operating Frequency
- 32 Kbytes of On-chip OTPROM/ROM
- 744 Bytes of On-chip Register RAM
- Register-to-register Architecture
- 16 Prioritized Interrupt Sources
- Peripheral Transaction Server (PTS) with 15 Prioritized Sources
- Up to 52 I/O Lines
- 3-phase Complementary Waveform Generator
- 8-channel 8- or 10-bit A/D with Sample and Hold
- 2-channel UART
- Event Processor Array (EPA) with 2 High-speed Capture/Compare Modules and 4 High-speed Compare-only Modules
- Two Programmable 16-bit Timers with Quadrature Counting Inputs
- Two Pulse-width Modulator (PWM) Outputs with High Drive Capability
- Flexible 8- or 16-bit External Bus
- 1.75  $\mu$ s 16  $\times$  16 Multiply
- 3  $\mu$ s 32/16 Divide
- Extended Temperature Available
- Idle and Powerdown Modes
- Watchdog Timer

---

The 8XC196MH is a member of Intel's family of 16-bit MCS<sup>®</sup> 96 microcontrollers. It is designed primarily to control three-phase AC induction and DC brushless motors. It features an enhanced three-phase waveform generator specifically designed for use in "inverter" motor-control applications. This peripheral provides pulse-width modulation and three-phase sine wave generation with minimal CPU intervention. It generates three complementary non-overlapping PWM pulses with resolutions of 0.125  $\mu$ s (edge triggered) or 0.250  $\mu$ s (centered).

The 8XC196MH has two dedicated serial port peripherals, allowing less software overhead. The watchdog timer can be programmed with one of four time options.

The 8XC196MH is available as the 80C196MH, which does not have on-chip ROM, the 87C196MH, which contains 32 Kbytes of on-chip OTPROM\* or factory programmed ROM, and the 83C196MH, which contains 32 Kbytes of factory programmed MASK ROM. It is available in 84-lead PLCC, 80-lead Shrink EIAJ/QFP, and 64-lead SDIP. The 64-lead package does not contain pins for the P5.1/INST and P6.7/PWM1 signals.

Operational characteristics are guaranteed over the temperature range of  $-40^{\circ}\text{C}$  to  $+85^{\circ}\text{C}$ .

---

\*One-Time Programmable Read-Only Memory (OTPROM) is similar to EPROM but comes in an unwindowed package and cannot be erased. It is user programmable.

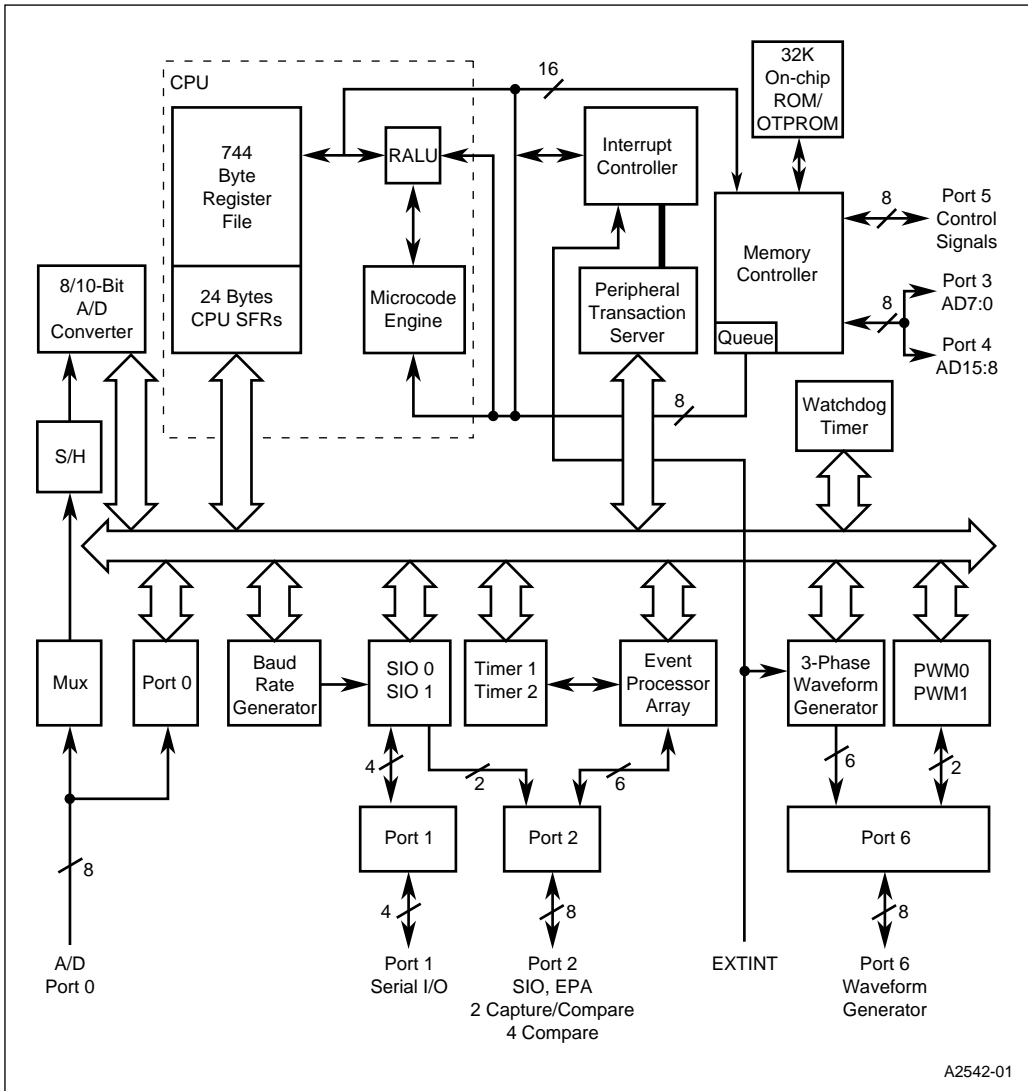


Figure 1. 8XC196MH Block Diagram

**PROCESS INFORMATION**

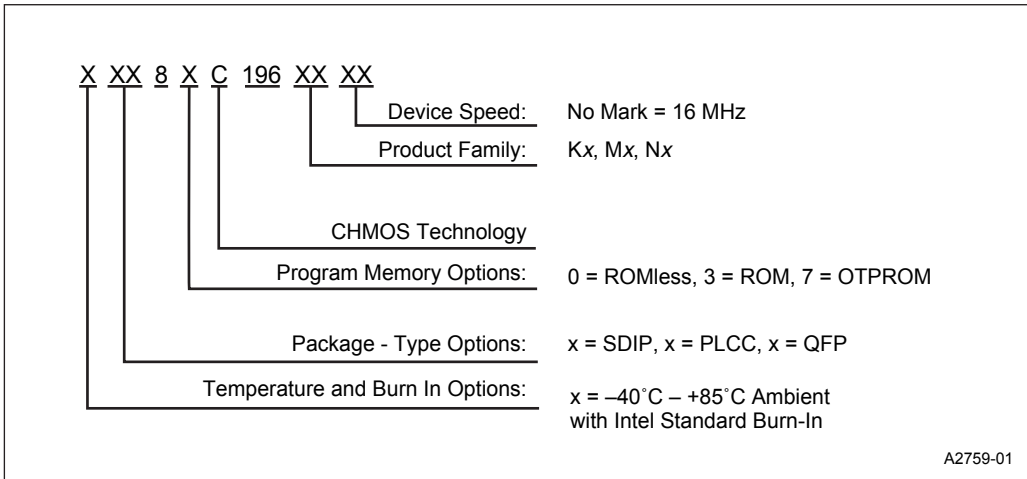
This device is manufactured on PX29.5, a CHMOS IV process. Additional process and reliability information is available in Intel's *Components Quality and Reliability Handbook* (order number 210997).

All thermal impedance data is approximate for static air conditions at 1 watt of power dissipation. Values will change depending on operating conditions and

the application. The Intel *Packaging Handbook* (order number 240800) describes Intel's thermal impedance test methodology.

**Table 1. Thermal Characteristics**

| Package Type | $\theta_{JA}$ | $\theta_{JC}$ |
|--------------|---------------|---------------|
| 84-lead PLCC | 33°C/W        | 11°C/W        |
| 80-lead QFP  | 56°C/W        | 12°C/W        |
| 64-lead SDIP | 56°C/W        | N/A           |



**Figure 2. The 8XC196MH Family Nomenclature**

**NOTE:** To address the fact that many of the package prefix variables have changed, all package prefix variables in this document are now indicated with an "x".

Table 2. 8XC196MH Memory Map

| Address (1)      | Description                            | Notes |
|------------------|--|-------|
| 0FFFFH<br>0A000H | External Memory                        |       |
| 09FFFH<br>02080H | Internal ROM/OTPROM or External Memory |       |
| 0207FH<br>0205EH | Reserved                               | 1, 2  |
| 0205DH<br>02040H | PTS Vectors                            |       |
| 0203FH<br>02030H | Interrupt Vectors (upper)              |       |
| 0202FH<br>02020H | ROM/OTPROM Security Key                |       |
| 0201FH<br>0201CH | Reserved                               | 1, 2  |
| 0201BH           | Reserved (must contain 20H)            |       |
| 0201AH           | CCB1                                   |       |
| 02019H           | Reserved (must contain 20H)            |       |
| 02018H           | CCB0                                   |       |
| 02017H<br>02014H | Reserved                               |       |
| 02013H<br>02000H | Interrupt Vectors (lower)              |       |
| 01FFFH<br>01F00H | Internal SFRs                          | 1     |
| 1EFFFH<br>300H   | External Memory                        |       |
| 2FFFH<br>18H     | Register RAM                           | 3     |
| 17H<br>00H       | CPU SFRs                               | 1     |

**NOTES:**

1. Unless otherwise noted, write 0FFH to reserved memory locations and write 0 to reserved SFR bits.
2. **WARNING:** The contents and/or function of reserved locations may change with future revisions of the device.
3. Code executed in locations 0000H to 02FFFH will be forced external.

**Table 3. Signals Arranged by Functional Categories**

| Address & Data                  | Programming Control      | Input/Output      | Input/Output (Cont'd) |
|---------------------------------|--------------------------|-------------------|-----------------------|
| AD15:0                          | AINC#                    | P0.0/ACH0         | P2.5/COMP1            |
|                                 | CPVER                    | P0.1/ACH1         | P2.6/COMP2            |
| <b>Bus Control &amp; Status</b> | PACT#                    | P0.2/ACH2         | P2.7/SCLK1#/BCLK1     |
| ALE/ADV#                        | PALE#                    | P0.3/ACH3         | P3.7:0                |
| BHE#/WRH#                       | PBUS15:0                 | P0.4/ACH4         | P4.7:0                |
| BUSWIDTH                        | PMODE.3:0                | P0.5/ACH5         | P5.7:0                |
| INST                            | PROG#                    | P0.6/ACH6/T1CLK   | P6.0/WG1#             |
| READY                           | PVER                     | P0.7/ACH7/T1DIR   | P6.1/WG1              |
| RD#                             |                          | P1.0/TXD0         | P6.2/WG2#             |
| WR#/WRL#                        | <b>Processor Control</b> | P1.1/RXD0         | P6.3/WG2              |
|                                 | EA#                      | P1.2/TXD1         | P6.4/WG3#             |
| <b>Power &amp; Ground</b>       | EXTINT                   | P1.3/RXD1         | P6.5/WG3              |
| ANGND                           | NMI                      | P2.0/EPA0         | P6.6/PWM0             |
| V <sub>CC</sub>                 | ONCE#                    | P2.1/SCLK0#/BCLK0 | P6.7/PWM1             |
| V <sub>PP</sub>                 | RESET#                   | P2.2/EPA1         |                       |
| V <sub>REF</sub>                | XTAL1                    | P2.3/COMP3        |                       |
| V <sub>SS</sub>                 | XTAL2                    | P2.4/COMP0        |                       |

**NOTE:** The following signals are not available in the 64-pin package: P5.1, P6.7, INST, and PWM1.

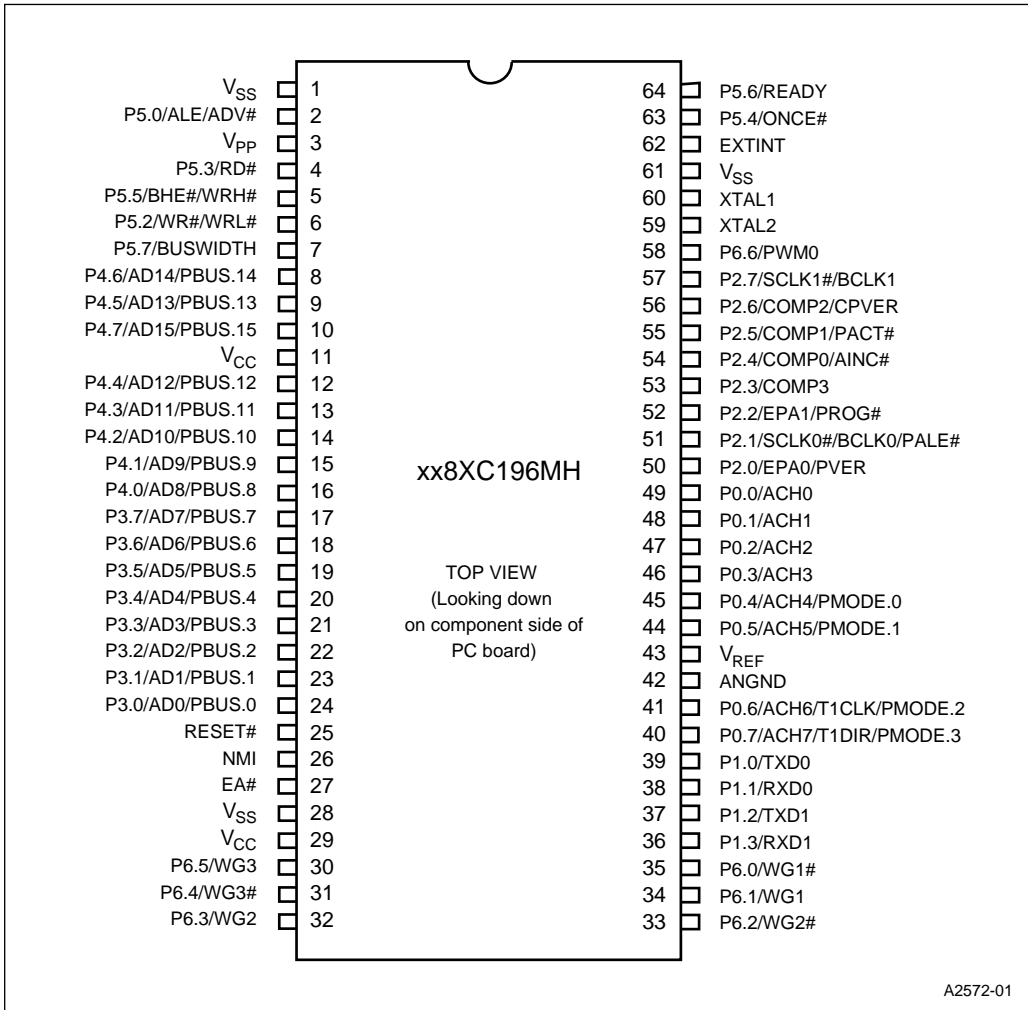


Figure 3. 8XC196MH 64-lead Shrink DIP (SDIP) Package

**Table 4. 64-lead Shrink DIP (SDIP) Pin Assignment**

| Pin | Name                  | Pin | Name                | Pin | Name                        | Pin | Name                        |
|-----|-----------------------|-----|---------------------|-----|-----------------------------|-----|-----------------------------|
| 1   | V <sub>SS</sub>       | 17  | P3.7/AD7<br>/PBUS.7 | 33  | P6.2/WG2#                   | 49  | P0.0/ACH0                   |
| 2   | P5.0/ALE/ADV#         | 18  | P3.6/AD6<br>/PBUS.6 | 34  | P6.1/WG1                    | 50  | P2.0/EPA0/PVER              |
| 3   | V <sub>PP</sub>       | 19  | P3.5/AD5<br>/PBUS.5 | 35  | P6.0/WG1#                   | 51  | P2.1/SCLK0#<br>/BCLK0/PALE# |
| 4   | P5.3/RD#              | 20  | P3.4/AD4<br>/PBUS.4 | 36  | P1.3/RXD1                   | 52  | P2.2/EPA1<br>/PROG#         |
| 5   | P5.5/BHE#/WRH#        | 21  | P3.3/AD3<br>/PBUS.3 | 37  | P1.2/TXD1                   | 53  | P2.3/COMP3                  |
| 6   | P5.2/WR#/WRL#         | 22  | P3.2/AD2<br>/PBUS.2 | 38  | P1.1/RXD0                   | 54  | P2.4/COMP0<br>/AINC#        |
| 7   | P5.7/BUSWIDTH         | 23  | P3.1/AD1<br>/PBUS.1 | 39  | P1.0/TXD0                   | 55  | P2.5/COMP1<br>/PACT#        |
| 8   | P4.6/AD14<br>/PBUS.14 | 24  | P3.0/AD0<br>/PBUS.0 | 40  | P0.7/ACH7/T1DIR<br>/PMODE.3 | 56  | P2.6/COMP2<br>/CPVER        |
| 9   | P4.5/AD13<br>/PBUS.13 | 25  | RESET#              | 41  | P0.6/ACH6<br>/T1CLK/PMODE.2 | 57  | P2.7/SCLK1#<br>/BCLK1       |
| 10  | P4.7/AD15<br>/PBUS.15 | 26  | NMI                 | 42  | ANGND                       | 58  | P6.6/PWM0                   |
| 11  | V <sub>CC</sub>       | 27  | EA#                 | 43  | V <sub>REF</sub>            | 59  | XTAL2                       |
| 12  | P4.4/AD12<br>/PBUS.12 | 28  | V <sub>SS</sub>     | 44  | P0.5/ACH5<br>/PMODE.1       | 60  | XTAL1                       |
| 13  | P4.3/AD11<br>/PBUS.11 | 29  | V <sub>CC</sub>     | 45  | P0.4/ACH4<br>/PMODE.0       | 61  | V <sub>SS</sub>             |
| 14  | P4.2/AD10<br>/PBUS.10 | 30  | P6.5/WG3            | 46  | P0.3/ACH3                   | 62  | EXTINT                      |
| 15  | P4.1/AD9/PBUS.9       | 31  | P6.4/WG3#           | 47  | P0.2/ACH2                   | 63  | P5.4/ONCE#                  |
| 16  | P4.0/AD8/PBUS.8       | 32  | P6.3/WG2            | 48  | P0.1/ACH1                   | 64  | P5.6/READY                  |

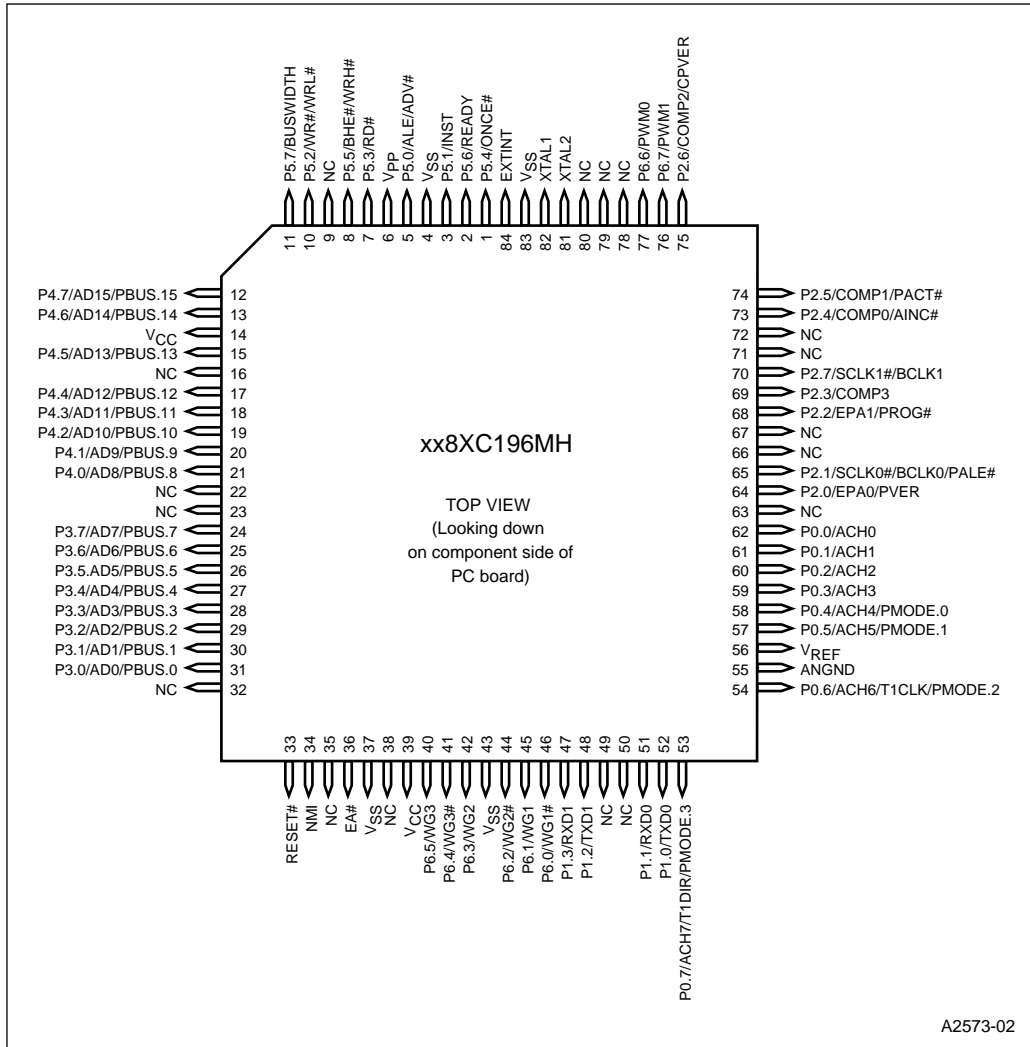


Figure 4. 8XC196MH 84-lead PLCC Package

A2573-02



**Table 5. 84-lead PLCC Pin Assignment**

| Pin | Name                  | Pin | Name                | Pin | Name                        | Pin | Name                        |
|-----|-----------------------|-----|---------------------|-----|-----------------------------|-----|-----------------------------|
| 1   | P5.4/ONCE#            | 22  | NC                  | 43  | V <sub>SS</sub>             | 64  | P2.0/EPA0/PVER              |
| 2   | P5.6/READY            | 23  | NC                  | 44  | P6.2/WG2#                   | 65  | P2.1/SCLK0#<br>/BCLK0/PALE# |
| 3   | P5.1/INST             | 24  | P3.7/AD7<br>/PBUS.7 | 45  | P6.1/WG1                    | 66  | NC                          |
| 4   | V <sub>SS</sub>       | 25  | P3.6/AD6<br>/PBUS.6 | 46  | P6.0/WG1#                   | 67  | NC                          |
| 5   | P5.0/ALE/ADV#         | 26  | P3.5/AD5<br>/PBUS.5 | 47  | P1.3/RXD1                   | 68  | P2.2/EPA1<br>/PROG#         |
| 6   | V <sub>PP</sub>       | 27  | P3.4/AD4<br>/PBUS.4 | 48  | P1.2/TXD1                   | 69  | P2.3/COMP3                  |
| 7   | P5.3/RD#              | 28  | P3.3/AD3<br>/PBUS.3 | 49  | NC                          | 70  | P2.7/SCLK1#<br>/BCLK1       |
| 8   | P5.5/BHE#/WRH#        | 29  | P3.2/AD2<br>/PBUS.2 | 50  | NC                          | 71  | NC                          |
| 9   | NC                    | 30  | P3.1/AD1<br>/PBUS.1 | 51  | P1.1/RXD0                   | 72  | NC                          |
| 10  | P5.2/WR#/WRL#         | 31  | P3.0/AD0<br>/PBUS.0 | 52  | P1.0/TXD0                   | 73  | P2.4/COMP0<br>/AINC#        |
| 11  | P5.7/BUSWIDTH         | 32  | NC                  | 53  | P0.7/ACH7<br>/T1DIR/PMODE.3 | 74  | P2.5/COMP1<br>/PACT#        |
| 12  | P4.7/AD15<br>/PBUS.15 | 33  | RESET#              | 54  | P0.6/ACH6<br>/T1CLK/PMODE.2 | 75  | P2.6/COMP2<br>/CPVER        |
| 13  | P4.6/AD14<br>/PBUS.14 | 34  | NMI                 | 55  | ANGND                       | 76  | P6.7/PWM1                   |
| 14  | V <sub>CC</sub>       | 35  | NC                  | 56  | V <sub>REF</sub>            | 77  | P6.6/PWM0                   |
| 15  | P4.5/AD13<br>/PBUS.13 | 36  | EA#                 | 57  | P0.5/ACH5<br>/PMODE.1       | 78  | NC                          |
| 16  | NC                    | 37  | V <sub>SS</sub>     | 58  | P0.4/ACH4<br>/PMODE.0       | 79  | NC                          |
| 17  | P4.4/AD12<br>/PBUS.12 | 38  | NC                  | 59  | P0.3/ACH3                   | 80  | NC                          |
| 18  | P4.3/AD11<br>/PBUS.11 | 39  | V <sub>CC</sub>     | 60  | P0.2/ACH2                   | 81  | XTAL2                       |
| 19  | P4.2/AD10<br>/PBUS.10 | 40  | P6.5/WG3            | 61  | P0.1/ACH1                   | 82  | XTAL1                       |
| 20  | P4.1/AD9/PBUS.9       | 41  | P6.4/WG3#           | 62  | P0.0/ACH0                   | 83  | V <sub>SS</sub>             |
| 21  | P4.0/AD8/PBUS.8       | 42  | P6.3/WG2            | 63  | NC                          | 84  | EXTINT                      |

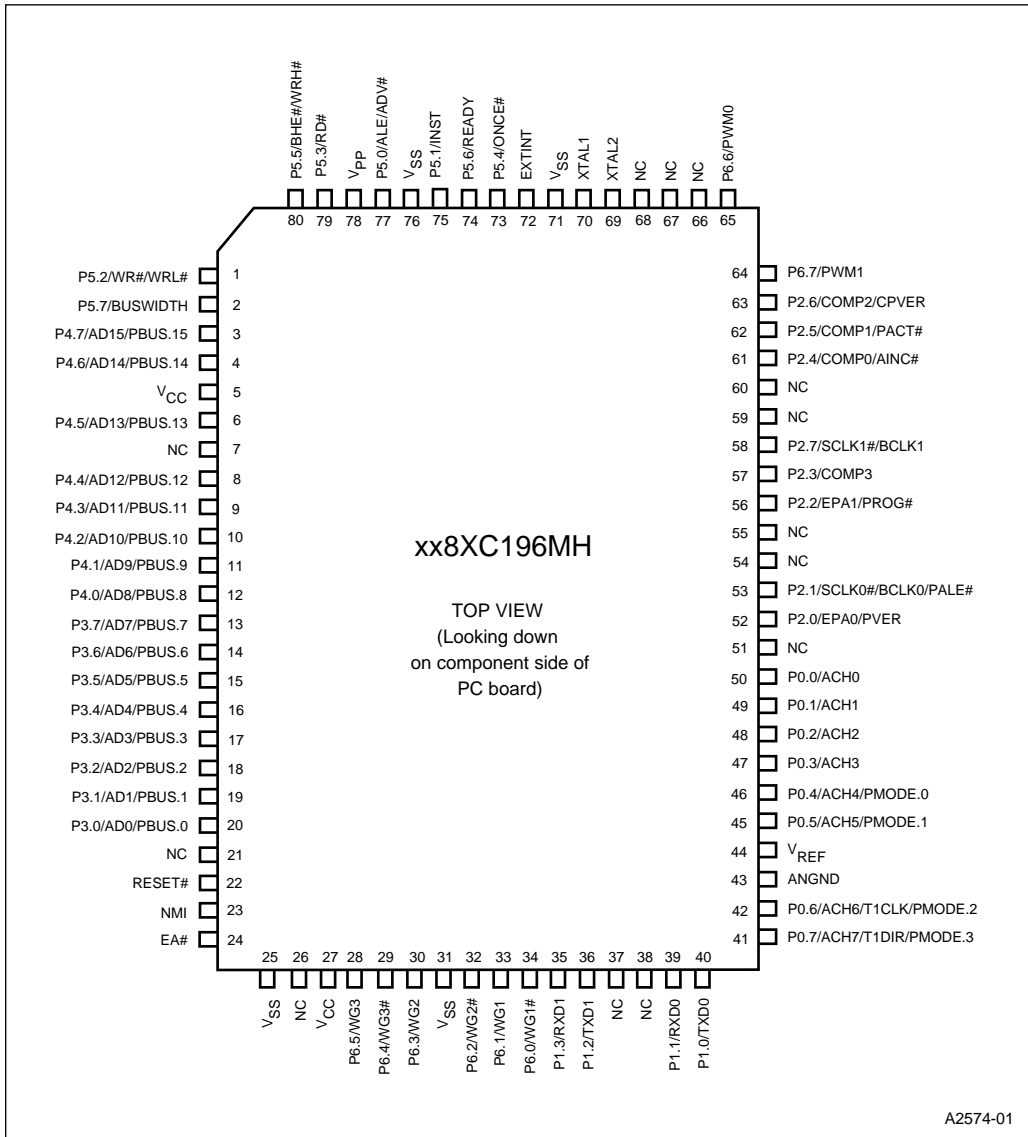


Figure 5. 8XC196MH 80-lead Shrink EIAJ/QFP Package

**Table 6. 80-lead Shrink EIAJ/QFP Pin Assignment**

| Pin | Name                  | Pin | Name            | Pin | Name                        | Pin | Name                 |
|-----|-----------------------|-----|-----------------|-----|-----------------------------|-----|----------------------|
| 1   | P5.2/WR#/WRL#         | 21  | NC              | 41  | P0.7/ACH7/T1DIR<br>/PMODE.3 | 61  | P2.4/COMP0<br>/AINC# |
| 2   | P5.7/BUSWIDTH         | 22  | RESET#          | 42  | P0.6/ACH6<br>/T1CLK/PMODE.2 | 62  | P2.5/COMP1<br>/PACT# |
| 3   | P4.7/AD15<br>/PBUS.15 | 23  | NMI             | 43  | ANGND                       | 63  | P2.6/COMP2<br>/CPVER |
| 4   | P4.6/AD14<br>/PBUS.14 | 24  | EA#             | 44  | V <sub>REF</sub>            | 64  | P6.7/PWM1            |
| 5   | V <sub>CC</sub>       | 25  | V <sub>SS</sub> | 45  | P0.5/ACH5<br>/PMODE.1       | 65  | P6.6/PWM0            |
| 6   | P4.5/AD13<br>/PBUS.13 | 26  | NC              | 46  | P0.4/ACH4<br>/PMODE.0       | 66  | NC                   |
| 7   | NC                    | 27  | V <sub>CC</sub> | 47  | P0.3/ACH3                   | 67  | NC                   |
| 8   | P4.4/AD12<br>/PBUS.12 | 28  | P6.5/WG3        | 48  | P0.2/ACH2                   | 68  | NC                   |
| 9   | P4.3/AD11<br>/PBUS.11 | 29  | P6.4/WG3#       | 49  | P0.1/ACH1                   | 69  | XTAL2                |
| 10  | P4.2/AD10<br>/PBUS.10 | 30  | P6.3/WG2        | 50  | P0.0/ACH0                   | 70  | XTAL1                |
| 11  | P4.1/AD9/PBUS.9       | 31  | V <sub>SS</sub> | 51  | NC                          | 71  | V <sub>SS</sub>      |
| 12  | P4.0/AD8/PBUS.8       | 32  | P6.2/WG2#       | 52  | P2.0/EPA0/PVER              | 72  | EXTINT               |
| 13  | P3.7/AD7/PBUS.7       | 33  | P6.1/WG1        | 53  | P2.1/SCLK0#<br>/BCLK0/PALE# | 73  | P5.4/ONCE#           |
| 14  | P3.6/AD6/PBUS.6       | 34  | P6.0/WG1#       | 54  | NC                          | 74  | P5.6/READY           |
| 15  | P3.5/AD5/PBUS.5       | 35  | P1.3/RXD1       | 55  | NC                          | 75  | P5.1/INST            |
| 16  | P3.4/AD4/PBUS.4       | 36  | P1.2/TXD1       | 56  | P2.2/EPA1<br>/PROG#         | 76  | V <sub>SS</sub>      |
| 17  | P3.3/AD3/PBUS.3       | 37  | NC              | 57  | P2.3/COMP3                  | 77  | P5.0/ALE/ADV#        |
| 18  | P3.2/AD2/PBUS.2       | 38  | NC              | 58  | P2.7/SCLK1#<br>/BCLK1       | 78  | V <sub>PP</sub>      |
| 19  | P3.1/AD1/PBUS.1       | 39  | P1.1/RXD0       | 59  | NC                          | 79  | P5.3/RD#             |
| 20  | P3.0/AD0/PBUS.0       | 40  | P1.0/TXD0       | 60  | NC                          | 80  | P5.5/BHE#/WRH#       |

## PIN DESCRIPTIONS

Table 7. Signal Descriptions

| Signal Name                            | Type | Description   | Multiplexed With   |
|--|------|---|--|
| ACH7<br>ACH6<br>ACH5<br>ACH4<br>ACH3:0 | I    | <p><b>Analog Channels.</b> These pins are analog inputs to the A/D converter.</p> <p>These pins are multiplexed with the port 0 pins. While it is possible for the pins to function simultaneously as analog and digital inputs, this is not recommended because reading the port while a conversion is in process can produce unreliable conversion results.</p> <p>The ANGND and <math>V_{REF}</math> pins must be connected for the A/D converter and the multiplexed port pins to function.</p>                   | P0.7/T1DIR/PMODE.3<br>P0.6/T1CLK/PMODE.2<br>P0.5/PMODE.1<br>P0.4/PMODE.0<br>P0.3:0 |
| AD15:8<br>AD7:0                        | I/O  | <p><b>Address/Data Lines.</b> These pins provide a multiplexed address and data bus. During the address phase of the bus cycle, address bits 0–15 are presented on the bus and can be latched using ALE or ADV#. During the data phase, 8- or 16-bit data is transferred.</p>   | P4.7:0/PBUS.15:8<br>P3.7:0/PBUS.7:0  |
| ADV#                                   | O    | <p><b>Address Valid.</b> This active-low output signal is asserted only during external memory accesses.</p> <p>ADV# indicates that valid address information is available on the system address/data bus. The signal remains low while a valid bus cycle is in progress and is returned high as soon as the bus cycle completes.</p> <p>An external latch can use the ADV# signal to demultiplex the address from the address/data bus. Used with a decoder, ADV# can generate chip-selects for external memory.</p> | P5.0/ALE   |
| AINC#                                  | I    | <p><b>Auto Increment.</b> In slave programming mode, this active-low input signal enables the autoincrement mode. Auto increment allows reading from or writing to sequential OTPROM locations without requiring address transactions across the programming bus for each read or write.</p>  | P2.4/COMP0   |
| ALE                                    | O    | <p><b>Address Latch Enable.</b> This active-high output signal is asserted only during external memory cycles.</p> <p>ALE signals the start of an external bus cycle and indicates that valid address information is available on the system address/data bus. ALE differs from ADV# in that it is not returned high until a new bus cycle is to begin.</p> <p>An external latch can use ALE to demultiplex the address from the address/data bus.</p>  | P5.0/ADV#  |
| ANGND                                  | GND  | <p><b>Analog Ground.</b> Reference ground for the A/D converter and the logic used to read port 0. ANGND must be held at nominally the same potential as <math>V_{SS}</math>.</p>   | —  |
| BCLK1<br>BCLK0                         | I    | <p><b>Serial Communications Baud Clock 0 and 1.</b> BCLK0 and 1 are alternate clock sources for the serial ports. The maximum input frequency is <math>F_{OSC}/4</math>.</p>  | P2.7/SCLK1#<br>P2.1/SCLK0#/PALE#   |

Table 7. Signal Descriptions (Continued)

| Signal Name                      | Type | Description  | Multiplexed With                               |    |                  |   |   |            |   |   |                |   |   |               |           |
|----------------------------------|------|--|--|----|------------------|---|---|------------|---|---|----------------|---|---|---------------|-----------|
| BHE#                             | O    | <p><b>Byte High Enable.</b> During 16-bit bus cycles, this active-low output signal is asserted for word reads and writes and for high-byte reads and writes to external memory. BHE# indicates that valid data is being transferred over the upper half of the system address/data bus.</p> <p>BHE#, in conjunction with A0, selects the memory byte to be accessed:</p> <table border="1"> <thead> <tr> <th>BHE#</th> <th>A0</th> <th>Byte(s) Accessed</th> </tr> </thead> <tbody> <tr> <td>0</td> <td>0</td> <td>both bytes</td> </tr> <tr> <td>0</td> <td>1</td> <td>high byte only</td> </tr> <tr> <td>1</td> <td>0</td> <td>low byte only</td> </tr> </tbody> </table> | BHE#   | A0 | Byte(s) Accessed | 0 | 0 | both bytes | 0 | 1 | high byte only | 1 | 0 | low byte only | P5.5/WRH# |
| BHE#                             | A0   | Byte(s) Accessed   |  |    |                  |   |   |            |   |   |                |   |   |               |           |
| 0                                | 0    | both bytes   |  |    |                  |   |   |            |   |   |                |   |   |               |           |
| 0                                | 1    | high byte only   |  |    |                  |   |   |            |   |   |                |   |   |               |           |
| 1                                | 0    | low byte only  |  |    |                  |   |   |            |   |   |                |   |   |               |           |
| BUSWIDTH                         | I    | <p><b>Bus Width.</b> When enabled in the chip configuration register, this active-high input signal dynamically selects the bus width of the bus cycle in progress. When BUSWIDTH is high, a 16-bit bus cycle occurs; when BUSWIDTH is low, an 8-bit bus cycle occurs. BUSWIDTH is active during a CCR fetch.</p>  | P5.7   |    |                  |   |   |            |   |   |                |   |   |               |           |
| COMP3<br>COMP2<br>COMP1<br>COMP0 | O    | <p><b>Event Processor Array (EPA) Compare Pins.</b> These signals are the output of the EPA compare modules. These pins are multiplexed with other signals and may be configured as standard I/O.</p>  | P2.3<br>P2.6/CPVER<br>P2.5/PACT#<br>P2.4/AINC# |    |                  |   |   |            |   |   |                |   |   |               |           |
| CPVER                            | O    | <p><b>Cumulative Program Verification.</b> This active-high output signal indicates whether any verify errors have occurred since the device entered programming mode. CPVER remains high until a verify error occurs, at which time it is driven low. Once an error occurs, CPVER remains low until the device exits programming mode. When high, CPVER indicates that all locations have programmed correctly since the device entered programming mode.</p>   | P2.6/COMP2                                     |    |                  |   |   |            |   |   |                |   |   |               |           |
| EA#                              | I    | <p><b>External Access.</b> This active-low input signal directs memory accesses to on-chip or off-chip memory. If EA# is low, the memory access is off-chip. If EA# is high and the memory address is within 2000H–2FFFH, the access is to on-chip ROM or OTPROM. Otherwise, an access with EA# high is to off-chip memory.</p> <p>EA# is sampled <b>only</b> on the rising edge of RESET#.</p> <p>If EA# = V<sub>EA</sub> on the rising edge of RESET#, the device enters the programming mode selected by PMODE.3:0.</p> <p>For devices without ROM, EA# must be tied low.</p>   | —  |    |                  |   |   |            |   |   |                |   |   |               |           |
| EPA1<br>EPA0                     | I/O  | <p><b>Event Processor Array (EPA) Input/Output pins.</b> These are the high-speed input/output pins for the EPA capture/compare modules. These pins are multiplexed with other signals and may be configured as standard I/O.</p>  | P2.2/PROG#<br>P2.0/PVER                        |    |                  |   |   |            |   |   |                |   |   |               |           |

Table 7. Signal Descriptions (Continued)

| Signal Name | Type | Description   | Multiplexed With |
|-------------|------|---|------------------|
| EXTINT      | I    | <p><b>External Interrupt.</b> This programmable interrupt is controlled by the WG_PROTECT register. This register controls whether the interrupt is edge triggered or sampled and whether a rising edge/high level or falling edge/low level activates the interrupt. This interrupt vectors through memory location 203CH. If the chip is in idle mode and if EXTINT is enabled, a valid EXTINT interrupt brings the chip back to normal operation, where the first action is to execute the EXTINT service routine. After completion of the service routine, execution resumes at the instruction following the one that put the chip into idle mode.</p> <p>In powerdown mode, a valid EXTINT interrupt causes the chip to return to normal operating mode. If EXTINT is enabled, the EXTINT service routine is executed. Otherwise, execution continues at the instruction following the IDLPD instruction that put the chip into powerdown mode.</p> | —                |
| INST        | O    | <p><b>Instruction Fetch.</b> This active-high output signal is valid only during external memory bus cycles. When high, INST indicates that an instruction is being fetched from external memory. The signal remains high during the entire bus cycle of an external instruction fetch. INST is low for data accesses, including interrupt vector fetches and chip configuration byte reads. INST is low during internal memory fetches.</p>  | P5.1             |
| NMI         | I    | <p><b>Nonmaskable Interrupt.</b> In normal operating mode, a rising edge on NMI causes a vector through the NMI interrupt at location 203EH. NMI must be asserted for greater than one state time to guarantee that it is recognized.</p> <p>In idle mode, a rising edge on NMI brings the chip back to normal operation, where the first action is to execute the NMI service routine. After completion of the service routine, execution resumes at the instruction following the one that put the chip into idle mode.</p> <p>In powerdown mode, NMI causes a return to normal operating mode only if it is tied to EXTINT.</p>  | —                |
| ONCE#       | I    | <p><b>On-circuit Emulation.</b> Holding this pin low while the RESET# signal transitions from a low to a high places the device into on-circuit emulation (ONCE) mode. ONCE mode isolates the device from other components in the system to allow the use of a clip-on emulator for system debugging. This mode puts all pins except XTAL1 and XTAL2 into a high-impedance state. To exit ONCE mode, reset the device by pulling the RESET# signal low.</p>   | P5.4             |

Table 7. Signal Descriptions (Continued)

| Signal Name  | Type | Description  | Multiplexed With  |
|--|------|--|---|
| P0.7<br>P0.6<br>P0.5<br>P0.4<br>P0.3:0                       | I    | <b>Port 0.</b> This is a high-impedance, input-only port. Port 0 pins should <b>not</b> be left floating.<br><br>These pins may individually be used as analog inputs (ACHx) or digital inputs (P0.x). While it is possible for the pins to function simultaneously as analog and digital inputs, this is not recommended because reading port 0 while a conversion is in process can produce unreliable conversion results.<br><br>ANGND and V <sub>REF</sub> must be connected for port 0 and the A/D converter to function. | ACH7/T1DIR/PMODE.3<br>ACH6/T1CLK/PMODE.2<br>ACH5/PMODE.1<br>ACH4/PMODE.0<br>ACH3:0                                  |
| P1.3<br>P1.2<br>P1.1<br>P1.0                                 | I    | <b>Port 1.</b> This is a 4-bit, bidirectional, standard I/O port that is multiplexed with individually selectable special-function signals. (Used as PBUS.15:12 in Auto-programming Mode.)   | RXD1<br>TXD1<br>RXD0<br>TXD0  |
| P2.7<br>P2.6<br>P2.5<br>P2.4<br>P2.3<br>P2.2<br>P2.1<br>P2.0 | I/O  | <b>Port 2.</b> This is an 8-bit, bidirectional, standard I/O port that is multiplexed with individually selectable special-function signals. P2.6 is multiplexed with a special test mode function. To prevent accidental entry into test modes, always configure P2.6 as an output.   | SCLK1#/BCLK1<br>COMP2/CPVER<br>COMP1/PACT#<br>COMP0/AINC#<br>COMP3<br>EPA1/PROG#<br>SCLK0#/BCLK0/PALE#<br>EPA0/PVER |
| P3.7:0   | I/O  | <b>Port 3.</b> This is an 8-bit, bidirectional, memory-mapped I/O port with open-drain outputs. The pins are shared with the multiplexed address/data bus, which has complementary drivers.<br><br>In programming modes, port 3 serves as the low byte of the programming bus (PBUS).  | AD7:0/PBUS.7:0  |
| P4.7:0   | I/O  | <b>Port 4.</b> This is an 8-bit, bidirectional, memory-mapped I/O port with open-drain outputs. The pins are shared with the multiplexed address/data bus, which has complementary drivers.<br><br>In programming modes, port 4 serves as the high byte of the programming bus (PBUS).   | AD15:8/PBUS.15:8  |
| P5.7<br>P5.6<br>P5.5<br>P5.4<br>P5.3<br>P5.2<br>P5.1<br>P5.0 | I/O  | <b>Port 5.</b> This is an 8-bit, bidirectional, standard I/O port that is multiplexed with individually selectable control signals. Because P5.4 is multiplexed with the ONCE# function, always configure it as an output to prevent accidental entry into ONCE mode.  | BUSWIDTH<br>READY<br>BHE#/WRH#<br>ONCE#<br>RD#<br>WR#/WRL#<br>INST<br>ALE/ADV#                                      |

Table 7. Signal Descriptions (Continued)

| Signal Name  | Type | Description   | Multiplexed With   |
|--|------|---|--|
| P6.7<br>P6.6<br>P6.5<br>P6.4<br>P6.3<br>P6.2<br>P6.1<br>P6.0 | O    | <b>Port 6.</b> This is an 8-bit output port that is multiplexed with the special functions of the waveform generator and PWM peripherals. The WG_OUT register configures the pins, establishes the output polarity, and controls whether changes to the outputs are synchronized with an event or take effect immediately.  | PWM1<br>PWM0<br>WG3<br>WG3#<br>WG2<br>WG2#<br>WG1<br>WG1#    |
| PACT#  | O    | <b>Programming Active.</b> In auto-programming mode, PACT# low indicates that programming activity is occurring.  | P2.5/COMP1   |
| PALE#  | I    | <b>Programming ALE.</b> In slave programming mode, this active-low input indicates that ports 3 and 4 contain a command/address. When PALE# is asserted, data and commands on ports 3 and 4 are read into the device.   | P2.1/SCLK0#/BCLK0  |
| PBUS.15:8<br>PBUS.7:0  | I/O  | <b>Programming Bus.</b> In programming modes, used as a bidirectional port with open-drain outputs to pass commands, addresses, and data to or from the device. Used as a regular system bus to access external memory during auto-programming mode. When using slave programming mode, the PBUS is used in open-drain I/O port mode (not as a system bus). In slave programming mode, you must add external pull-up resistors to read data from the device during the dump word routine. | P4.7:0/AD15:8<br>P3.7:0/AD7:0                                |
| PMODE.3<br>PMODE.2<br>PMODE.1<br>PMODE.0                     | I    | <b>Programming Mode Select.</b> Determines the OTPROM programming algorithm that is to be performed. PMODE is sampled after a device reset when EA# = V <sub>EA</sub> and must be stable while the device is operating.   | P0.7/ACH7/T1DIR<br>P0.6/ACH6/T1CLK<br>P0.5/ACH5<br>P0.4/ACH4 |
| PROG#  | I    | <b>Programming Start.</b> This active-low input is valid only in slave programming mode. The rising edge of PROG# latches data on the PBUS and begins programming. The falling edge of PROG# ends programming.  | P2.2/EPA1  |
| PVER   | O    | <b>Program Verification.</b> In programming modes, this active-high output signal is asserted to indicate that the word has programmed correctly. (PVER low after the rising edge of PROG# indicates an error.)   | P2.0/EPA0  |
| PWM1:0   | O    | <b>Pulse Width Modulator Outputs.</b> These are PWM output pins with high-current drive capability. The duty cycle and frequency-pulse-widths are programmable.   | P6.7:6   |
| RD#  | O    | <b>Read.</b> Read-signal output to external memory. RD# is asserted only during external memory reads.  | P5.3   |



**Table 7. Signal Descriptions (Continued)**

| Signal Name      | Type | Description  | Multiplexed With         |
|------------------|------|--|--------------------------|
| READY            | I    | <b>Ready Input.</b> This active-high input signal is used to lengthen external memory cycles for slow memory by generating wait states.<br>When READY is high, CPU operation continues in a normal manner. If READY is low, the memory controller inserts wait states until the READY signal goes high or until the number of wait states is equal to the number programmed into the chip configuration register.<br>READY is ignored for all internal memory accesses.    | P5.6                     |
| RESET#           | I/O  | <b>Reset.</b> Reset input to and open-drain output from the chip. A falling edge on RESET# initiates the reset process. When RESET# is first asserted, the chip turns on a pull-down transistor connected to the RESET pin for 16 state times. This function can also be activated by execution of the RST instruction. In the powerdown and idle modes, asserting RESET# causes the chip to reset and return to normal operating mode. RESET# is a level-sensitive input. | —                        |
| RXD1<br>RXD0     | I/O  | <b>Receive Serial Data 0 and 1.</b> In modes 1, 2, and 3, RXD0 and 1 are used to receive serial port data. In mode 0, they function as either inputs or open-drain outputs for data.   | P1.3<br>P1.1             |
| SCLK1#<br>SCLK0# | I/O  | <b>Synchronous Clock Pin 0 and 1.</b> In mode 4, these are the bidirectional, shift clock signals that synchronize the serial data transfer. Data is transferred 8 bits at a time with the LSB first. The DIR bit (SP_CONx.7) controls the direction of SCLKx signal.<br><br>DIR = 0 The internal shift clock is output on SCLKx.<br>DIR = 1 An external shift clock is input on SCLKx.  | P2.7/BCLK1<br>P2.1/BCLK0 |
| T1CLK            | I    | <b>External Clock.</b> External clock for timer 1. Timer 1 increments (or decrements) on both rising and falling edges of T1CLK. Also used in conjunction with T1DIR for quadrature counting mode.   | P0.6/ACH6/PMODE.2        |
| T1DIR            | I    | <b>Timer 1 External Direction.</b> External direction (up/down) for timer 1. Timer 1 increments when T1DIR is high and decrements when it is low. Also used in conjunction with T1CLK for quadrature counting mode.  | P0.7/ACH7/PMODE.3        |
| TXD1<br>TXD0     | O    | <b>Transmit Serial Data 0 and 1.</b> In serial I/O modes 1, 2, and 3, TXD0 and 1 are used to transmit serial port data. In mode 0, they are used as the serial clock output.   | P1.2<br>P1.0             |
| V <sub>CC</sub>  | PWR  | <b>Digital Supply Voltage.</b> Connect each V <sub>CC</sub> pin to the digital supply voltage.   | —                        |
| V <sub>PP</sub>  | PWR  | <b>Programming Voltage.</b> Set to 12.5 V when programming the on-chip OTPROM. Also the timing pin for the "return from power-down" circuit.   | —                        |

Table 7. Signal Descriptions (Continued)

| Signal Name          | Type | Description  | Multiplexed With     |
|----------------------|------|--|----------------------|
| $V_{REF}$            | PWR  | <b>Reference Voltage for the A/D Converter.</b> $V_{REF}$ is also the supply voltage to the analog portion of the A/D converter and the logic used to read Port 0. $V_{REF}$ must be connected for the A/D and port 0 to function.   | —                    |
| $V_{SS}$             | GND  | <b>Digital Circuit Ground</b> (0 volts). Connect each $V_{SS}$ pin to ground.  | —                    |
| WG3<br>WG2<br>WG1    | O    | <b>Waveform Generator Phase 1—3 Positive Outputs.</b><br>3-phase output signals used in motion-control applications.   | P6.5<br>P6.3<br>P6.1 |
| WG3#<br>WG2#<br>WG1# | O    | <b>Waveform Generator Phase 1—3 Negative Outputs.</b><br>Complementary 3-phase output signals used in motion-control applications.   | P6.4<br>P6.2<br>P6.0 |
| WR#                  | O    | <b>Write.</b> This active-low output indicates that an external write is occurring. This signal is asserted only during external memory writes.  | P5.2/WRL#            |
| WRH#                 | O    | <b>Write High.</b> During 16-bit bus cycles, this active-low output signal is asserted for high-byte writes and word writes to external memory.<br>During 8-bit bus cycles, WRH# is asserted for all write operations.   | P5.5/BHE#            |
| WRL#                 | O    | <b>Write Low.</b> During 16-bit bus cycles, this active-low output signal is asserted for low-byte writes and word writes.<br>During 8-bit bus cycles, WRL# is asserted for all write operations.  | P5.2/WR#             |
| XTAL1                | I    | <b>Clock/Oscillator Input.</b> Input to the on-chip oscillator inverter and the internal clock generator. Also provides the clock input for the serial I/O baud-rate generator, timers, and PWM unit. If an external oscillator is used, connect the external clock input signal to XTAL1 and ensure that the XTAL1 $V_{IH}$ specification is met. | —                    |
| XTAL2                | O    | <b>Oscillator Output.</b> Output of the on-chip oscillator inverter. When using the on-chip oscillator, connect XTAL2 to an external crystal or resonator. When using an external clock source, let XTAL2 float.   | —                    |

## ELECTRICAL CHARACTERISTICS

### ABSOLUTE MAXIMUM RATINGS\*

|   |  |
|---|--|
| Storage Temperature .....   | - 65°C to + 150°C  |
| Ambient Temperature<br>under Bias.....                              | - 40°C to + 85°C   |
| Voltage from $V_{PP}$ or EA# to<br>$V_{SS}$ or ANGND (Note 1) ..... | - 0.5 V to + 13.0 V  |
| Voltage with respect to<br>$V_{SS}$ or ANGND (Note 1) .....         | - 0.5 V to + 7.0 V<br>(This includes $V_{PP}$ on ROM and CPU devices.)                 |
| Power Dissipation .....   | 1.5 W<br>(based on package heat transfer limitations, not device<br>power consumption) |

**NOTICE:** This data sheet contains preliminary information on new products in production. It is valid for the devices indicated in the revision history. The specifications are subject to change without notice.

**\*WARNING:** *Stressing the device beyond the "Absolute Maximum Ratings" may cause permanent damage. These are stress ratings only. Operation beyond the "Operating Conditions" is not recommended and extended exposure beyond the "Operating Conditions" may affect device reliability.*

### OPERATING CONDITIONS\*

|   |                  |
|---|------------------|
| $T_A$ (Ambient Temperature Under Bias) .....    | - 40°C to + 85°C |
| $V_{CC}$ (Digital Supply Voltage) .....         | 4.50 V to 5.50 V |
| $V_{REF}$ (Analog Supply Voltage) .....         | 4.50 V to 5.50 V |
| $F_{OSC}$ (Oscillator Frequency) (Note 2) ..... | 8 MHz to 16 MHz  |

### NOTES:

1. ANGND and  $V_{SS}$  should be at nominally the same potential.
2. Testing is performed down to 8 MHz, although the device is static by design and will typically operate below 1 Hz.

## DC CHARACTERISTICS

Table 8. DC Characteristics over Specified Operating Conditions

| Symbol              | Parameter   | Min  | Typ (4) | Max                | Units       | Test Conditions  |
|---------------------|---|--|---------|--------------------|-------------|--|
| $V_{IL}$            | Input Low Voltage (standard inputs (1))                                   | - 0.5  |         | $0.3 V_{CC}$       | V           |  |
| $V_{IL1}$           | Input Low Voltage (RESET#, ports 3, 4, and 5)                             | - 0.5  |         | 0.8                | V           |  |
| $V_{IH}$            | Input High Voltage (standard inputs (1))                                  | $0.7 V_{CC}$                                       |         | $V_{CC} + 0.5$     | V           |  |
| $V_{IH1}$           | Input High Voltage (RESET#, ports 3, 4, and 5)                            | $0.2 V_{CC} + 1.0$                                 |         | $V_{CC} + 0.5$     | V           |  |
| $V_{OL}$            | Output Low Voltage (RESET#, ports 1, 2, 5, P6.6, P6.7, and XTAL2)         |  |         | 0.3<br>0.45<br>1.5 | V<br>V<br>V | $I_{OL} = 200 \mu A$<br>$I_{OL} = 3.2 \text{ mA}$<br>$I_{OL} = 7.0 \text{ mA}$       |
| $V_{OL1}$           | Output Low Voltage (ports 3, 4)   |  |         | 1.0                | V           | $I_{OL} = 7 \text{ mA}$  |
| $V_{OL2}$           | Output Low Voltage (P6.5:0)   |  |         | 0.45               | V           | $I_{OL} = 10 \text{ mA}$   |
| $V_{OH}$            | Output High Voltage (output pins and I/O configured as push/pull outputs) | $V_{CC} - 0.3$<br>$V_{CC} - 0.7$<br>$V_{CC} - 1.5$ |         |                    | V<br>V<br>V | $I_{OH} = - 200 \mu A$<br>$I_{OH} = - 3.2 \text{ mA}$<br>$I_{OH} = - 7.0 \text{ mA}$ |
| $V_{TH+} - V_{TH-}$ | Hysteresis voltage width on RESET# pin                                    | 0.2  |         |                    | V           |  |
| $I_{LI}$            | Input Leakage Current (standard inputs (1))                               |  |         | $\pm 10$           | $\mu A$     | $V_{SS} < V_{IN} < V_{CC} - 0.3V$  |
| $I_{LI1}$           | Input Leakage Current (port 0 - A/D inputs)                               |  |         | $\pm 3$            | $\mu A$     | $V_{SS} < V_{IN} < V_{REF}$  |
| $I_{IH}$            | Input High Current (NMI)  |  |         | 300                | $\mu A$     | $V_{IN} = 0.7 V_{CC}$  |
| $I_{IL}$            | Input Low Current (port 2, except P2.6)                                   |  |         | - 70               | $\mu A$     | $V_{IN} = 0.3 V_{CC}$  |

## NOTES:

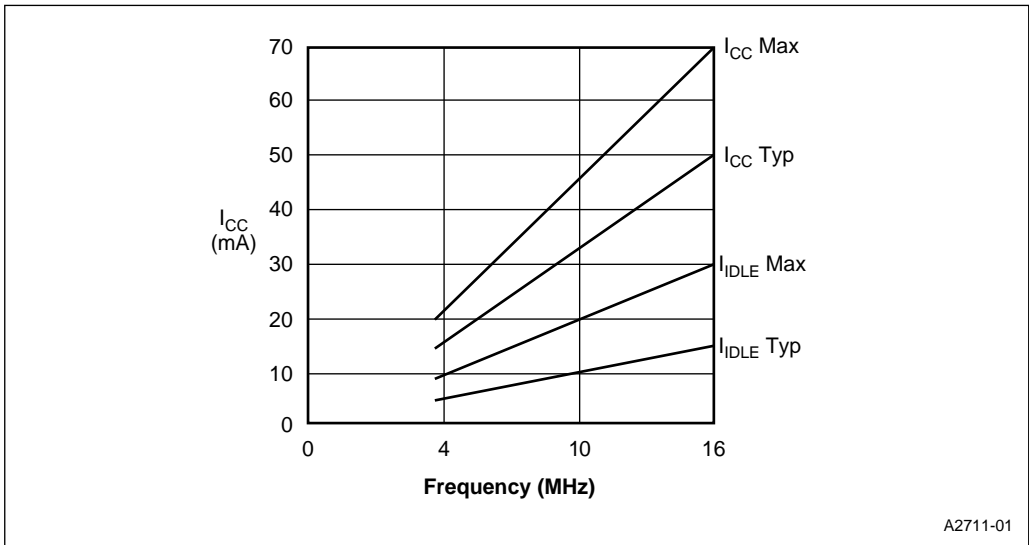
- Standard input pins include XTAL1, EA#, and Ports 1 and 2 when configured as inputs.
- Maximum current that an external device must sink to ensure test mode entry.
- Violating these specifications during reset may cause the device to enter test modes.
- Typical values are based on a limited number of samples and are not guaranteed. Operating conditions for typical values are room temperature and  $V_{REF} = V_{CC} = 5.5 V$ .
- Testing is performed down to 8 MHz, although the device is static by design and will typically operate below 1 Hz.
- All voltages are referenced relative to  $V_{SS}$ . When used,  $V_{SS}$  refers to the device pin.
- Table 9 lists the total current limits during normal (non-transient conditions). The total current listed is the sum of the pins listed for each specification value.

**Table 8. DC Characteristics over Specified Operating Conditions (Continued)**

| Symbol     | Parameter  | Min   | Typ (4) | Max   | Units      | Test Conditions   |
|------------|--|-------|---------|-------|------------|---|
| $I_{IL1}$  | Input Low Current (P5.4 and P2.6 during reset) (2)   |       |         | - 10  | mA         | $V_{IN} = 0.8 V$  |
| $I_{IL2}$  | Input Low Current (ports 3, 4, and 5, except P5.4)   |       |         | - 300 | $\mu A$    | $V_{IN} = 0.8 V$  |
| $I_{IL3}$  | Input Low Current (port 1)                           |       |         | - 300 | $\mu A$    | $V_{IN} = 0.3 V_{CC}$   |
| $I_{OH}$   | Output High Current (P5.4 and P2.6 during reset) (3) | - 0.2 |         |       | mA         | $0.7 V_{CC}$  |
| $I_{OH1}$  | Output High Current (P6.5:0 during reset)            | - 6   |         | - 40  | $\mu A$    | $0.7 V_{CC}$  |
| $I_{CC}$   | $V_{CC}$ Supply Current                              |       | 50      | 70    | mA         | $XTAL1 = 16 MHz$<br>$V_{CC} = 5.5 V$<br>$V_{PP} = 5.5 V$<br>$V_{REF} = 5.5 V$ |
| $I_{REF}$  | A/D Reference Supply Current                         |       | 2       | 5     | mA         |   |
| $I_{IDLE}$ | Idle Mode Current                                    |       | 15      | 30    | mA         |   |
| $I_{PD}$   | Powerdown Mode Current (4)                           |       | 5       | 50    | $\mu A$    |   |
| $R_{RST}$  | Reset Pull-up Resistor                               | 6     |         | 65    | k $\Omega$ |   |
| $C_S$      | Pin Capacitance (any pin to $V_{SS}$ )               |       |         | 10    | pF         | $F_{TEST} = 1.0 MHz$  |

**NOTES:**

- Standard input pins include XTAL1, EA#, and Ports 1 and 2 when configured as inputs.
- Maximum current that an external device must sink to ensure test mode entry.
- Violating these specifications during reset may cause the device to enter test modes.
- Typical values are based on a limited number of samples and are not guaranteed. Operating conditions for typical values are room temperature and  $V_{REF} = V_{CC} = 5.5 V$ .
- Testing is performed down to 8 MHz, although the device is static by design and will typically operate below 1 Hz.
- All voltages are referenced relative to  $V_{SS}$ . When used,  $V_{SS}$  refers to the device pin.
- Table 9 lists the total current limits during normal (non-transient conditions). The total current listed is the sum of the pins listed for each specification value.



A2711-01

**Table 9. Total Current Limits During Normal (Non-transient) Conditions**

| Signal Names       | Maximum I <sub>OL</sub> Limits | Maximum I <sub>OH</sub> Limits |
|--------------------|--------------------------------|--------------------------------|
| Port 1             | 25 mA                          | - 25 mA                        |
| Port 2, P6.6, P6.7 | 40 mA                          | - 40 mA                        |
| Port 3             | 40 mA                          | - 30 mA                        |
| Port 4             | 40 mA                          | - 30 mA                        |
| Port 5             | 40 mA                          | - 30 mA                        |
| P6.5:0             | 40 mA                          | - 30 mA                        |

**Figure 6. I<sub>CC</sub>, I<sub>IDLE</sub> versus Frequency**

## EXPLANATION OF AC SYMBOLS

Each symbol consists of two pairs of letters prefixed by “T” (for time). The characters in a pair indicate a signal and its condition, respectively. Symbols represent the time between the two signal/condition points. For example,  $T_{\text{RHDZ}}$  is the time between signal R (RD#) condition H (high) and signal D (Input Data) condition Z (floating). Table 10 defines the signal and condition codes.

**Table 10. AC Timing Symbol Definitions**

| Signals |                |   |               | Conditions |                 |
|---------|----------------|---|---------------|------------|-----------------|
| A       | Address        | P | PROG#         | H          | High            |
| B       | BHE#           | Q | Data Out      | L          | Low             |
| D       | Data In        | R | RD#           | V          | Valid           |
| G       | BUSWIDTH       | V | PVER          | X          | No Longer Valid |
| I       | T1DIR/AINC#    | W | WR#/WRH#/WRL# | Z          | Floating        |
| K       | T1CLK          | X | XTAL1         |            |                 |
| L       | ALE/ADV#/PALE# | Y | READY         |            |                 |

## AC CHARACTERISTICS (OVER SPECIFIED OPERATION CONDITIONS)

Table 11 defines the AC timing specifications that the external memory system must meet and those that the 8XC196MH will provide.

**Table 11. AC Timing Definitions (1)**

| Symbol   | Parameter                       | Min                   | Max                    | Units | Notes |
|--|---------------------------------|-----------------------|------------------------|-------|-------|
| $F_{\text{OSC}}$   | Frequency on XTAL1              | 8                     | 16                     | MHz   | 4     |
| $T_{\text{OSC}}$   | $1/F_{\text{OSC}}$              | 62.5                  | 125                    | ns    |       |
| <b>The External Memory System Must Meet These Specifications</b> |                                 |                       |                        |       |       |
| $T_{\text{AVYV}}$  | Address Valid to READY Setup    |                       | $2T_{\text{OSC}} - 75$ | ns    |       |
| $T_{\text{LLYV}}$  | ALE/ADV# Low to READY Setup     |                       | $T_{\text{OSC}} - 70$  | ns    |       |
| $T_{\text{VLYH}}$  | Non READY Time                  | No Upper Limit        |                        | ns    |       |
| $T_{\text{LLYX}}$  | READY Hold after ALE/ADV# Low   | $T_{\text{OSC}} - 15$ | $2T_{\text{OSC}} - 40$ | ns    | 2     |
| $T_{\text{AVGV}}$  | Address Valid to BUSWIDTH Setup |                       | $2T_{\text{OSC}} - 75$ | ns    |       |
| $T_{\text{LLGV}}$  | ALE/ADV# Low to BUSWIDTH Setup  |                       | $T_{\text{OSC}} - 60$  | ns    |       |

### NOTES:

1. Test Conditions: Capacitive load on all pins = 100 pF, rise and fall times = 10 ns,  $F_{\text{OSC}} = 16$  MHz.
2. Exceeding the maximum specification causes additional wait states.
3. If wait states are used, add  $2T_{\text{OSC}} \times n$ , where  $n =$  number of wait states.
4. Testing is performed down to 8 MHz, although the device is static by design and will typically operate below 1 Hz.
5. Assuming back-to-back bus cycles.
6. 8-bit bus only.

Table 11. AC Timing Definitions (1) (Continued)

| Symbol   | Parameter                         | Min            | Max             | Units | Notes |
|--|-----------------------------------|----------------|-----------------|-------|-------|
| <b>The External Memory System Must Meet These Specifications (Continued)</b> |                                   |                |                 |       |       |
| $T_{LLGX}$   | BUSWIDTH Hold after ALE/ADV# Low  | $T_{OSC}$      |                 | ns    |       |
| $T_{LHDV}$   | ALE/ADV# High to Input Data Valid |                | $3T_{OSC} - 55$ | ns    |       |
| $T_{AVDV}$   | Address Valid to Input Data Valid |                | $3T_{OSC} - 55$ | ns    | 3     |
| $T_{RLDV}$   | RD# Active to Input Data Valid    |                | $T_{OSC} - 30$  | ns    | 3     |
| $T_{RHDZ}$   | End of RD# to Input Data Float    |                | $T_{OSC}$       | ns    |       |
| $T_{RXDX}$   | Data Hold after RD# Inactive      | 0              |                 | ns    |       |
| <b>The 8XC196MH will Meet These Specifications</b>                           |                                   |                |                 |       |       |
| $T_{XHLH}$   | XTAL1 Rising Edge to ALE Rising   | 20             | 110             | ns    |       |
| $T_{XHLL}$   | XTAL1 Rising Edge to ALE Falling  | 20             | 110             | ns    |       |
| $T_{LHLH}$   | ALE/ADV# Cycle Time               | $4T_{OSC}$     |                 | ns    | 3     |
| $T_{LHLL}$   | ALE/ADV# High Period              | $T_{OSC} - 10$ | $T_{OSC} + 10$  | ns    |       |
| $T_{AVLH}$   | Address Valid to ALE/ADV# High    | $T_{OSC} - 17$ |                 | ns    |       |
| $T_{AVLL}$   | Address Valid to ALE/ADV# Low     | $T_{OSC} - 17$ |                 | ns    |       |
| $T_{LLAX}$   | Address Hold after ALE/ADV# Low   | $T_{OSC} - 40$ |                 | ns    |       |
| $T_{LLRL}$   | ALE/ADV# Low to RD# Low           | $T_{OSC} - 30$ |                 | ns    |       |
| $T_{RLRH}$   | RD# Low Period                    | $T_{OSC} - 5$  | $T_{OSC} + 25$  | ns    | 3     |
| $T_{RHLH}$   | RD# High to ALE/ADV# High         | $T_{OSC}$      | $T_{OSC} + 25$  | ns    | 5     |
| $T_{RLAZ}$   | RD# Low to Address Float          |                | 5               | ns    |       |
| $T_{LLWL}$   | ALE/ADV# Low to WR# Low           | $T_{OSC} - 10$ |                 | ns    |       |
| $T_{QVWH}$   | Data Valid before WR# High        | $T_{OSC} - 23$ |                 | ns    |       |
| $T_{WLWH}$   | WR# Low Period                    | $T_{OSC} - 30$ |                 | ns    | 3     |
| $T_{WHQX}$   | Data Hold after WR# High          | $T_{OSC} - 25$ |                 | ns    |       |
| $T_{WHLH}$   | WR# High to ALE/ADV# High         | $T_{OSC} - 10$ | $T_{OSC} + 15$  | ns    | 5     |
| $T_{WHBX}$   | BHE#, INST Hold after WR# High    | $T_{OSC} - 10$ |                 | ns    |       |
| $T_{WHAX}$   | A15:8 Hold after WR# High         | $T_{OSC} - 30$ |                 | ns    | 6     |
| $T_{RHBX}$   | BHE#, INST Hold after RD# High    | $T_{OSC} - 10$ |                 | ns    |       |
| $T_{RHAX}$   | A15:8 Hold after RD# High         | $T_{OSC} - 30$ |                 | ns    | 6     |

**NOTES:**

1. Test Conditions: Capacitive load on all pins = 100 pF, rise and fall times = 10 ns,  $F_{OSC} = 16$  MHz.
2. Exceeding the maximum specification causes additional wait states.
3. If wait states are used, add  $2T_{OSC} \times n$ , where  $n$  = number of wait states.
4. Testing is performed down to 8 MHz, although the device is static by design and will typically operate below 1 Hz.
5. Assuming back-to-back bus cycles.
6. 8-bit bus only.



SYSTEM BUS TIMINGS

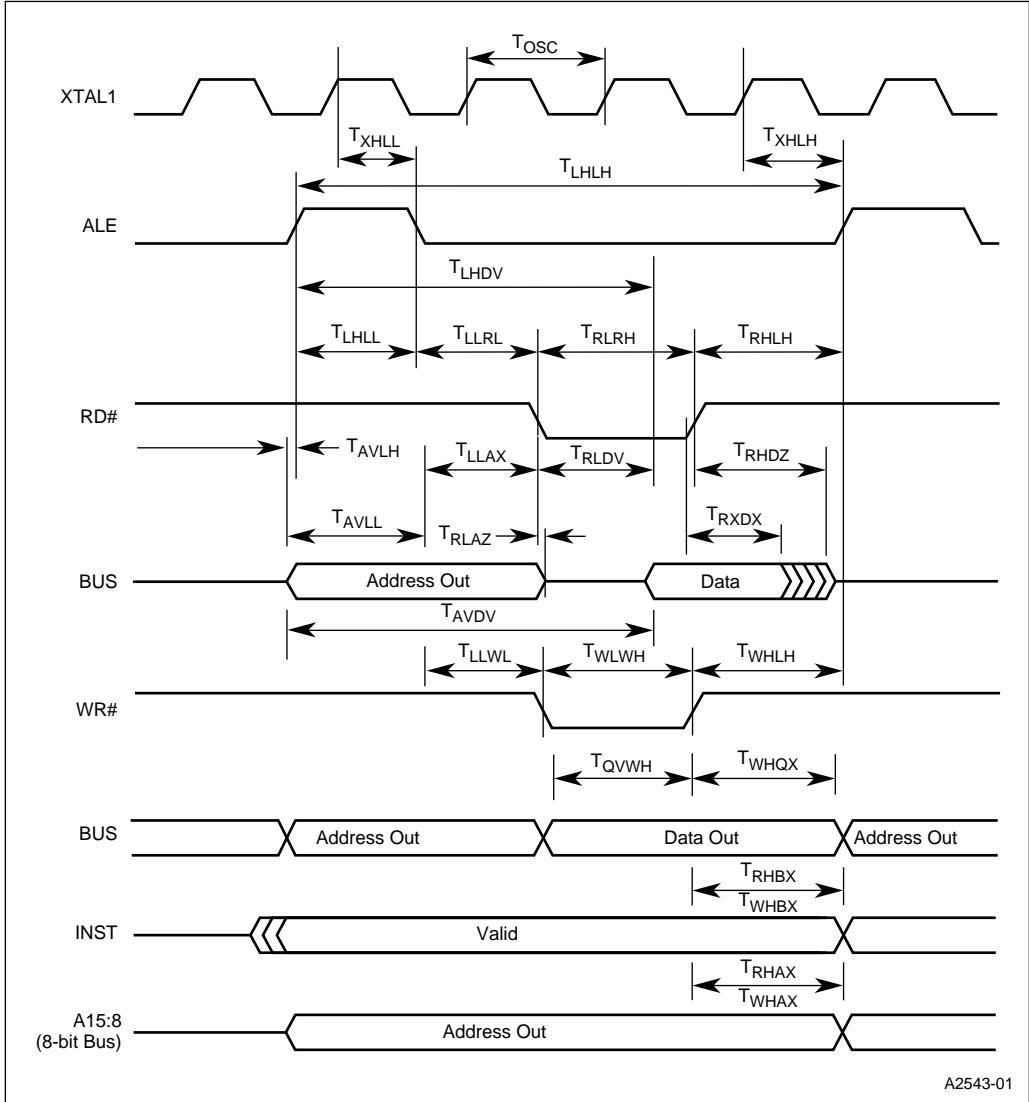


Figure 7. System Bus Timing Diagram

READY TIMING (ONE WAIT STATE)

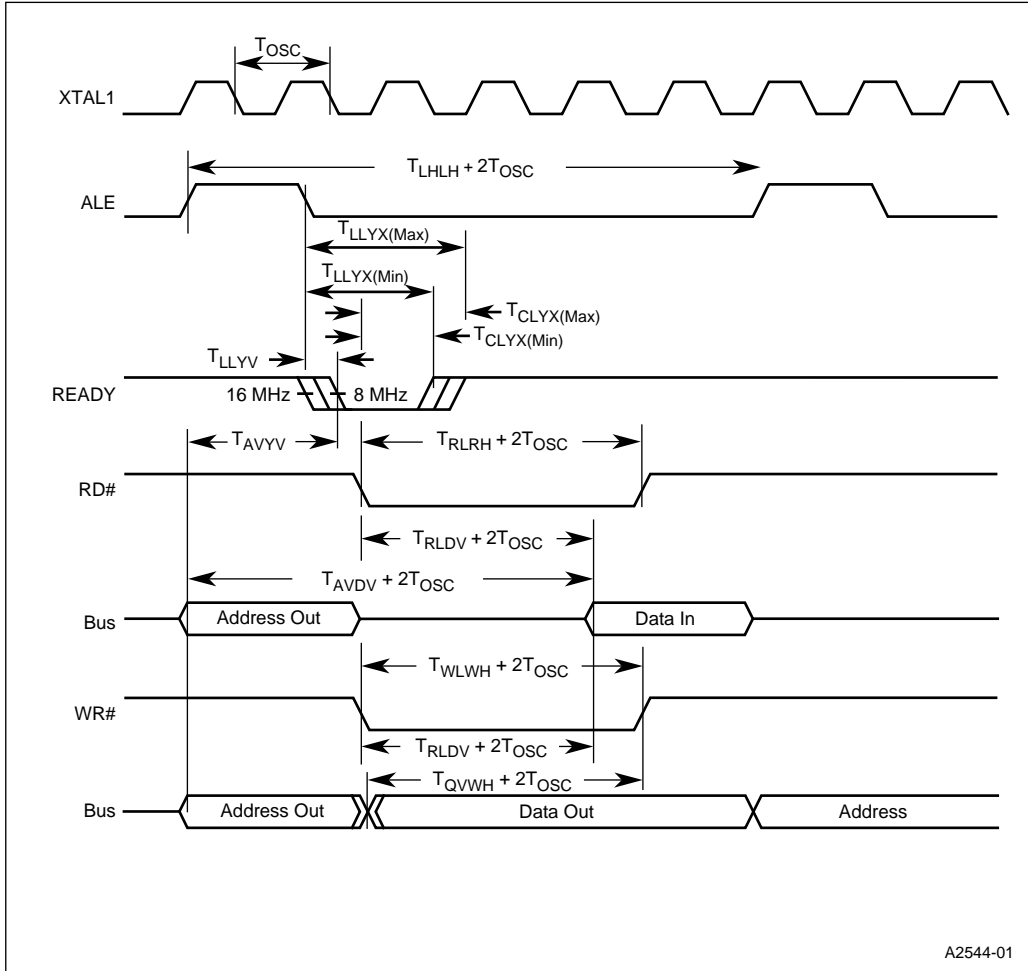
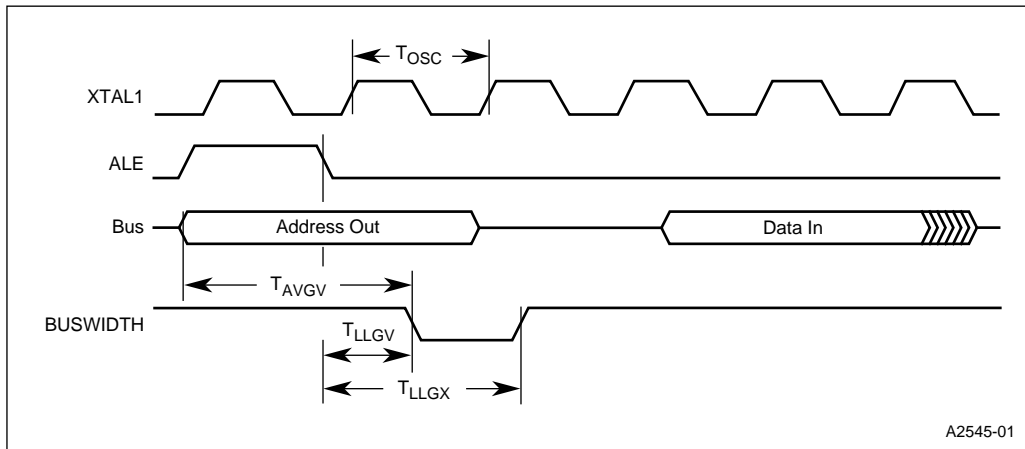


Figure 8. READY Timing Diagram (One Wait State)

A2544-01

### BUSWIDTH TIMING



A2545-01

Figure 9. BUSWIDTH Timing Diagram

### EXTERNAL CLOCK DRIVE

Table 12. External Clock Drive Timing

| Symbol       | Parameter                       | Min  | Max | Units |
|--------------|---------------------------------|------|-----|-------|
| $1/T_{XLXL}$ | Oscillator Frequency            | 8    | 16  | MHz   |
| $T_{XLXL}$   | Oscillator Period ( $T_{OSC}$ ) | 62.5 | 125 | ns    |
| $T_{XHXX}$   | High Time                       | 22   |     | ns    |
| $T_{XLXX}$   | Low Time                        | 22   |     | ns    |
| $T_{XLXH}$   | Rise Time                       |      | 10  | ns    |
| $T_{XHXL}$   | Fall Time                       |      | 10  | ns    |

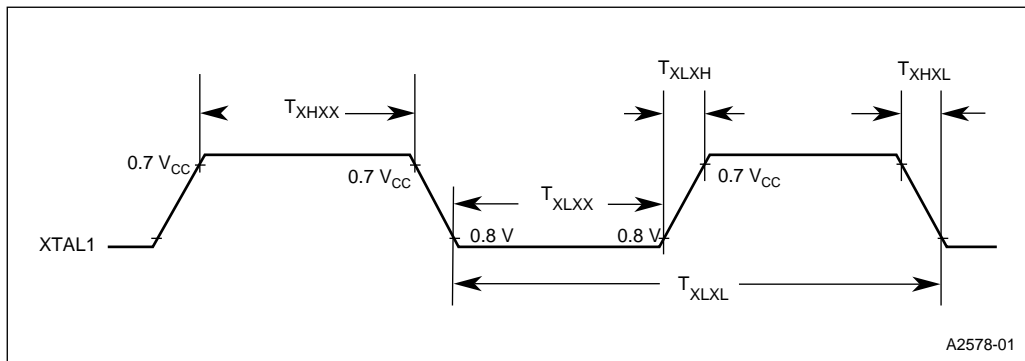


Figure 10. External Clock Drive Waveforms

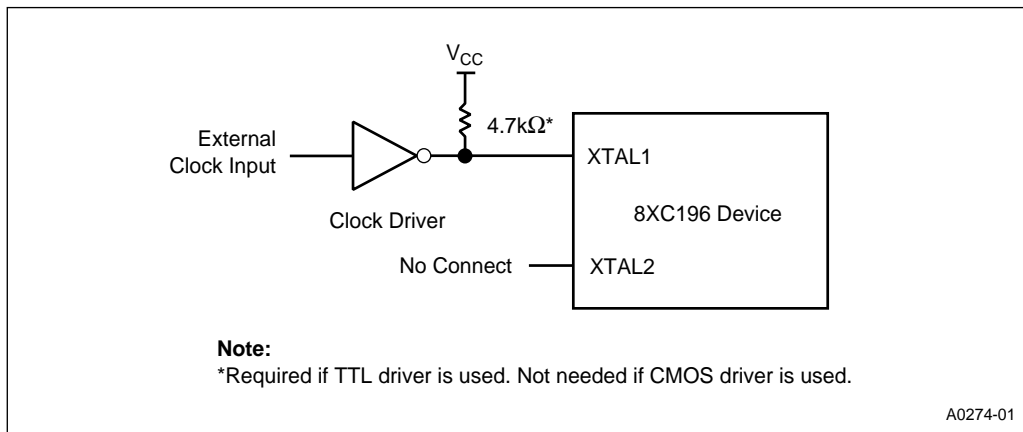


Figure 11. External Clock Connections

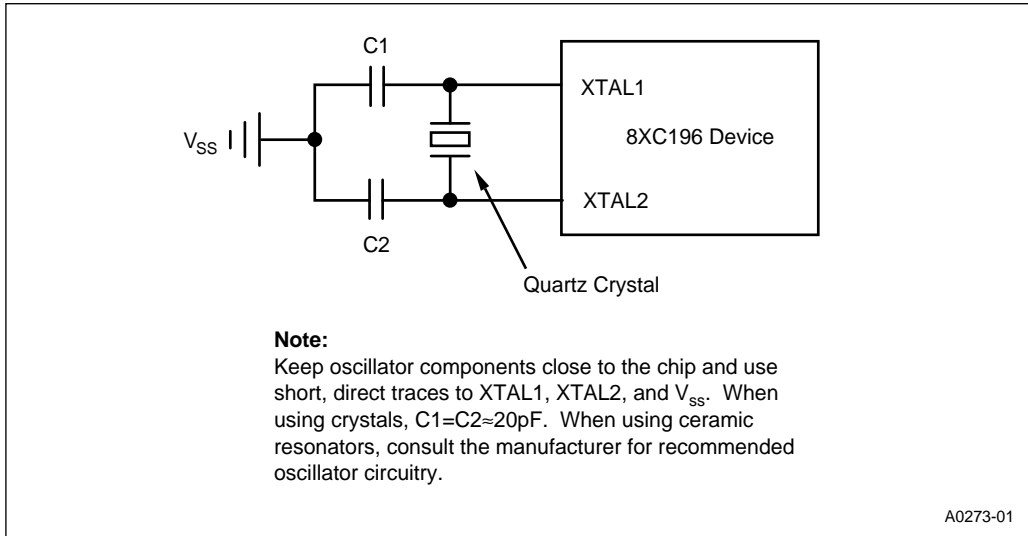


Figure 12. External Crystal Connections

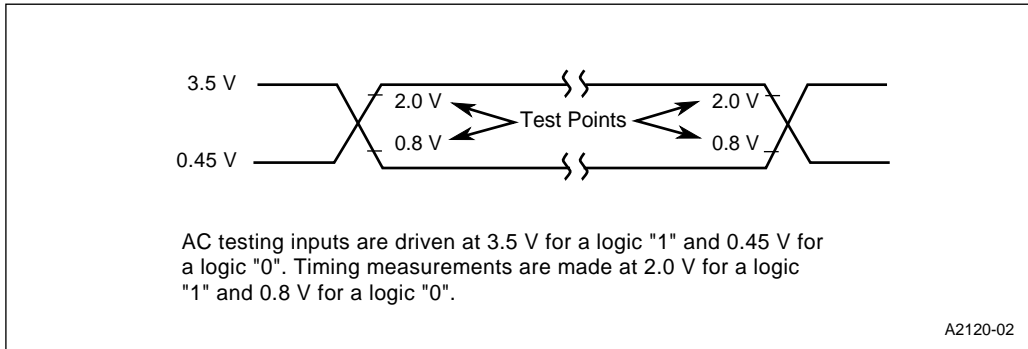


Figure 13. AC Testing Input, Output Waveforms

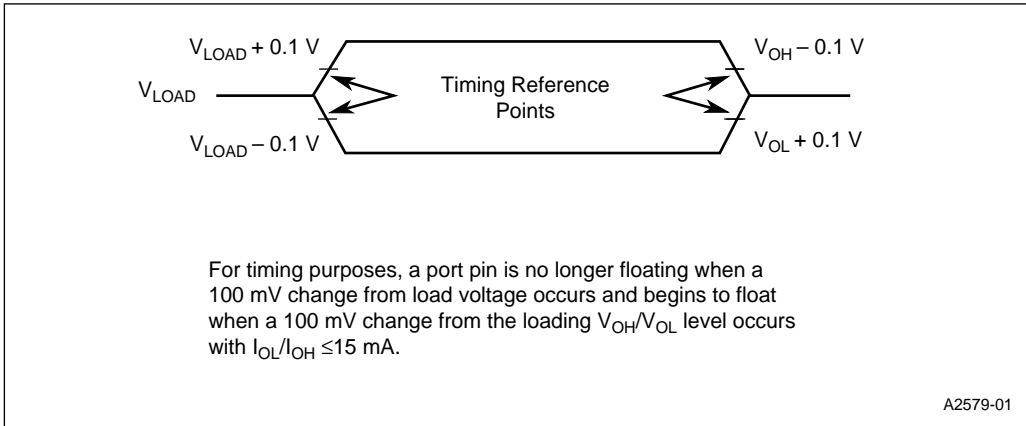


Figure 14. Float Waveforms

## AC CHARACTERISTICS — SERIAL PORT, SHIFT REGISTER MODE

Table 13. Serial Port Timing — Shift Register Mode (Mode 0)

| Symbol     | Parameter   | Min                                | Max                                | Units    | Notes |
|------------|---|------------------------------------|------------------------------------|----------|-------|
| $T_{XLXL}$ | Serial Port Clock Period<br>(Baud-rate $n \geq 8002H$ )<br>(Baud-rate $n = 8001H$ )     | $6T_{OSC}$<br>$4T_{OSC}$           |                                    | ns<br>ns | 1, 2  |
| $T_{XLXH}$ | Serial Port Clock Low Period<br>(Baud-rate $n \geq 8002H$ )<br>(Baud-rate $n = 8001H$ ) | $4T_{OSC} - 50$<br>$2T_{OSC} - 50$ | $4T_{OSC} + 50$<br>$2T_{OSC} + 50$ | ns<br>ns | 1, 2  |
| $T_{QVXH}$ | Output Data Setup to Clock High   | $2T_{OSC} - 50$                    |                                    | ns       |       |
| $T_{XHQX}$ | Output Data Hold after Clock High   | $2T_{OSC} - 50$                    |                                    | ns       |       |
| $T_{XHQV}$ | Next Output Data Valid after Clock High   |                                    | $2T_{OSC} + 50$                    | ns       |       |
| $T_{DVXH}$ | Input Data Setup to Clock High  | $T_{OSC} + 50$                     |                                    | ns       |       |
| $T_{XHDX}$ | Input Data Hold after Clock High  | 0                                  |                                    | ns       |       |
| $T_{XHQZ}$ | Last Clock High to Output Float   |                                    | $T_{OSC}$                          | ns       |       |

**NOTES:**

- $n$  for Baud-rate  $n$  signifies Serial Port 0 or 1.
- Maximum Serial Port Mode 0 reception is with Baud-rate  $n \geq 8002H$ .

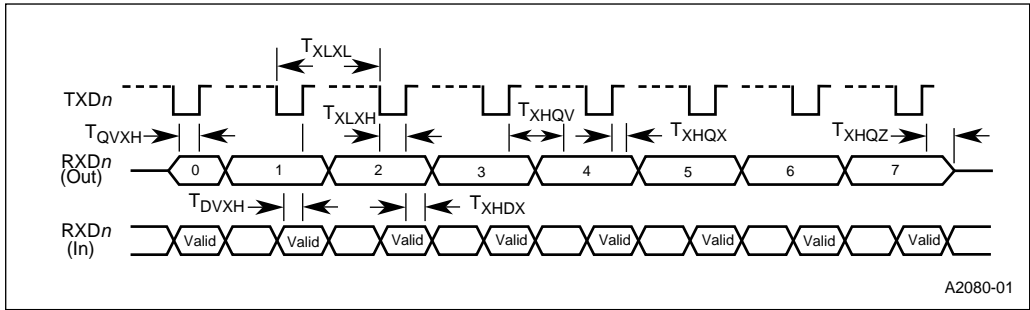


Figure 15. Serial Port Waveform — Shift Register Mode (Mode 0)

Table 14. Serial Port Timing — Mode 4

| Symbol     | Parameter                                      | Min                 | Max               | Units |
|------------|--|---------------------|-------------------|-------|
| $T_{XLXL}$ | Serial Port Clock Period (DIR=0)               | $16T_{OSC}$         | $131072T_{OSC}$   | ns    |
| $T_{XLXX}$ | Serial Port Clock Low Period (DIR=0/1)         | $(T_{XLXL}/2) - 30$ |                   | ns    |
| $T_{XHXX}$ | Serial Port Clock High Period (DIR=0/1)        | $(T_{XLXL}/2) - 30$ |                   | ns    |
| $T_{XLXL}$ | Serial Port Clock Period (DIR=1)               | $16T_{OSC}$         |                   | ns    |
| $T_{XHXL}$ | Serial Clock Falling Time (DIR=1)              | 0                   | 20                | ns    |
| $T_{XLXH}$ | Serial Clock Rising Time (DIR=1)               | 0                   | 20                | ns    |
| $T_{XLQV}$ | Clock Low to Output Data Setup                 |                     | $7.5T_{OSC} - 50$ | ns    |
| $T_{XLQX}$ | Output Data Hold after Clock Low               | 0                   |                   | ns    |
| $T_{XHQX}$ | Last Output Data Hold after Clock High (DIR=1) | $13.7T_{OSC}$       |                   | ns    |
| $T_{DVXX}$ | Input Data Setup to Clock Low Invalid          | 0                   |                   | ns    |
| $T_{XHDX}$ | Input Data Hold after Clock High               | $6T_{OSC}$          |                   | ns    |

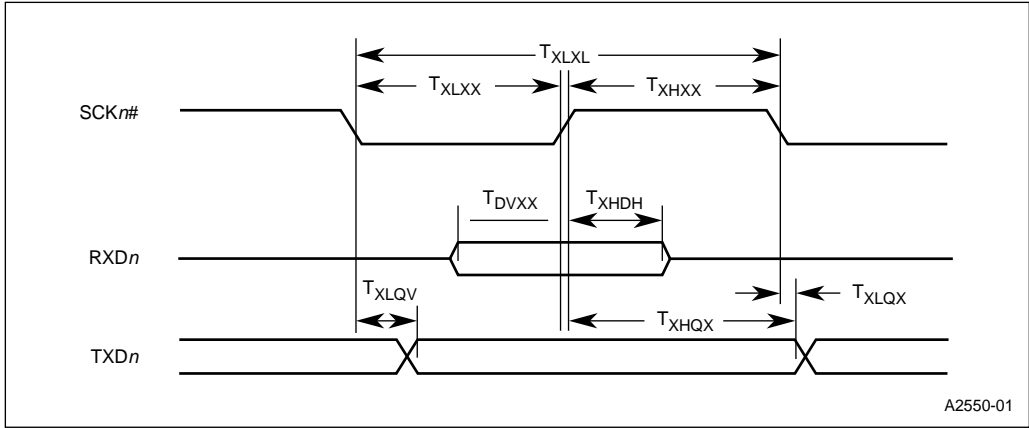


Figure 16. Serial Port Waveform — Mode 4

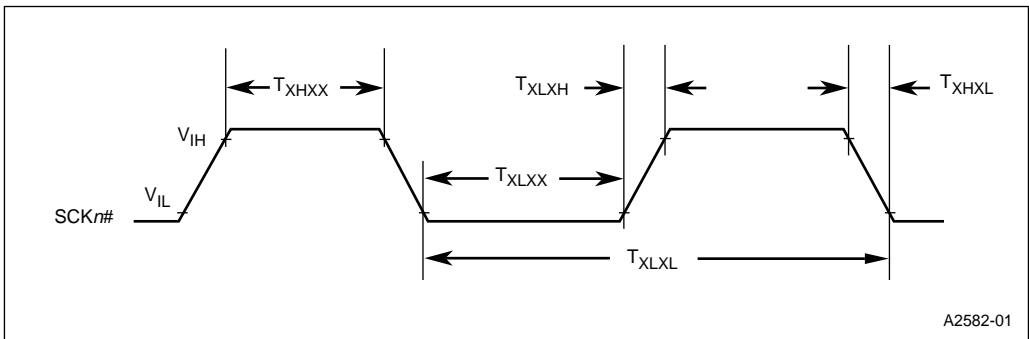


Figure 17. Serial Port Waveform — Clock Drive (DIR = 1)



### BAUD-RATE CLOCK DRIVE TABLE

Table 15. Baud Rate Clock Drive

| Symbol     | Parameter                 | Min             | Max        | Units |
|------------|---------------------------|-----------------|------------|-------|
| $T_{XLXL}$ | Baud Rate Clock Period    |                 | $4T_{OSC}$ | ns    |
| $T_{XHXX}$ | Baud Rate Clock High Time | $2T_{OSC} - 30$ |            | ns    |
| $T_{XLXX}$ | Baud Rate Clock Low Time  | $2T_{OSC} - 30$ |            | ns    |
| $T_{XLXH}$ | Baud Rate Clock Rise Time |                 | 20         | ns    |
| $T_{XHXL}$ | Baud Rate Clock Fall Time |                 | 20         | ns    |

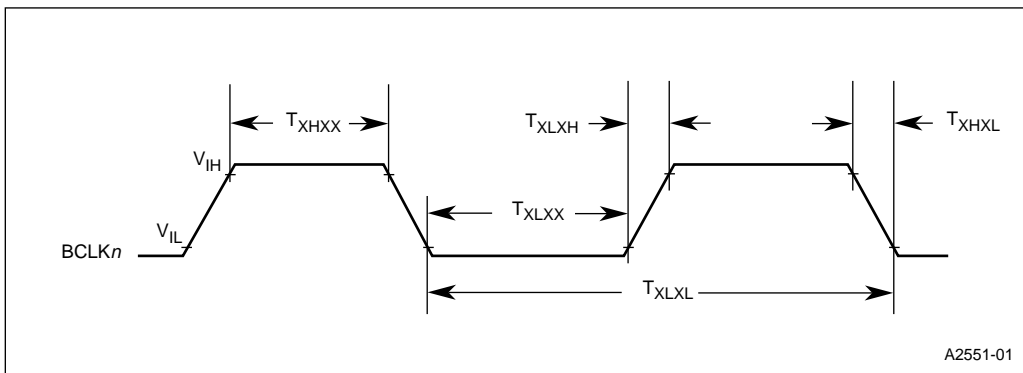


Figure 18. Baud-Rate Clock Drive Waveforms

## A/D SAMPLE AND CONVERSION TIMES

Two parameters, sample time and conversion time, control the time required for an A/D conversion. The sample time is the length of time that the analog input voltage is actually connected to the sample capacitor. If this time is too short, the sample capacitor will not charge completely. If the sample time is too long, the input voltage may change and cause conversion errors. The conversion time is the length of time required to convert the analog input voltage stored on the sample capacitor to a digital value. The conversion time must be long enough for the comparator and circuitry to settle and resolve the voltage. Excessively long conversion times allow the sample capacitor to discharge, degrading accuracy.

The AD\_TIME register programs the A/D sample and conversion times. Use the  $T_{SAM}$  and  $T_{CONV}$  specifications in Tables 16 and 18 to determine appropriate values for SAM and CONV; otherwise, erroneous conversion results may occur.

Use the following formulas to determine the SAM and CONV values:

$$SAM = \frac{T_{SAM} \times F_{OSC} - 2}{8}$$

$$CONV = \left[ \frac{T_{CONV} \times F_{OSC} - 3}{2 \times B} \right] - 1$$

where:

SAM = 1 to 7

CONV = 2 to 31

$T_{SAM}$  is the sample time, in  $\mu\text{sec}$   
(Tables 16 and 18)

$T_{CONV}$  is the conversion time, in  $\mu\text{sec}$   
(Tables 16 and 18)

$F_{OSC}$  is the XTAL1 frequency, in MHz

B is the number of bits to be converted (8 or 10)

When the SAM and CONV values are known, write them to the AD\_TIME register. Do not write to this register while a conversion is in progress; the results are unpredictable.

**AC CHARACTERISTICS — A/D CONVERTER**
**Table 16. 10-bit A/D Operating Conditions (1)**

| Symbol     | Description            | Min  | Max  | Units | Notes |
|------------|------------------------|------|------|-------|-------|
| $T_A$      | Ambient Temperature    | - 40 | + 85 | °C    |       |
| $V_{CC}$   | Digital Supply Voltage | 4.50 | 5.50 | V     |       |
| $V_{REF}$  | Analog Supply Voltage  | 4.50 | 5.50 | V     | 2     |
| $T_{SAM}$  | Sample Time            | 1.0  |      | μs    | 3     |
| $T_{CONV}$ | Conversion Time        | 10.0 | 20.0 | μs    | 3     |
| $F_{OSC}$  | Oscillator Frequency   | 8    | 16   | MHz   |       |

**NOTES:**

1. ANGND and  $V_{SS}$  should nominally be at the same potential.
2.  $V_{REF}$  must not exceed  $V_{CC}$  by more than + 0.5 V because  $V_{REF}$  supplies both the resistor ladder and the analog portion of the converter and input port pins.
3. Program the AD\_TIME register to meet the  $T_{SAM}$  and  $T_{CONV}$  specifications.

**Table 17. 10-bit Mode A/D Characteristics Over Specified Operating Conditions (1)**

| Parameter                   | Typical (3) | Min        | Max        | Units (2)      | Notes |
|-----------------------------|-------------|------------|------------|----------------|-------|
| Resolution                  |             | 1024<br>10 | 1024<br>10 | Levels<br>Bits |       |
| Absolute Error              |             | 0          | ± 3        | LSBs           |       |
| Full-scale Error            | 0.25 ± 0.5  |            |            | LSBs           |       |
| Zero Offset Error           | 0.25 ± 0.5  |            |            | LSBs           |       |
| Nonlinearity                | 1.0 ± 2.0   |            | ± 3        | LSBs           |       |
| Differential Nonlinearity   |             | - 0.75     | + 0.75     | LSBs           |       |
| Channel-to-channel Matching | ± 0.1       | 0          | ± 1        | LSBs           |       |
| Repeatability               | ± 0.25      | 0          |            | LSBs           |       |

**NOTES:**

1. Testing is performed with  $V_{REF} = 5.12$  V and  $F_{OSC} = 16$  MHz.
2. An *LSB*, as used here, has a value of approximately 5 mV.
3. Typical values are based on a limited number of samples and are not guaranteed. Operating conditions for typical values are room temperature and  $V_{REF} = V_{CC} = 5.5$  V.
4. DC to 100 KHz.
5. Multiplexer break-before-make guaranteed.
6. Resistance from device pin, through internal multiplexer, to sample capacitor.
7. These values may be exceeded if the pin current is limited to ±2mA.
8. Applying voltage beyond these specifications will degrade the accuracy of other channels being converted.
9. All conversions were performed with processor in idle mode.

Table 17. 10-bit Mode A/D Characteristics Over Specified Operating Conditions (1) (Continued)

| Parameter                              | Typical (3) | Min         | Max                    | Units (2) | Notes |
|--|-------------|-------------|------------------------|-----------|-------|
| Temperature Coefficients:              |             |             |                        |           |       |
| Offset                                 | 0.009       |             |                        | LSB/C     |       |
| Full-scale                             | 0.009       |             |                        | LSB/C     |       |
| Differential Nonlinearity              | 0.009       |             |                        | LSB/C     |       |
| Off-isolation                          |             | - 60        |                        | dB        | 4, 5  |
| Feedthrough                            | - 60        |             |                        | dB        | 4     |
| V <sub>CC</sub> Power Supply Rejection | - 60        |             |                        | dB        | 6     |
| Input Series Resistance                |             | 750         | 1.2K                   | Ω         | 4     |
| Voltage on Analog Input Pin            |             | ANGND - 0.5 | V <sub>REF</sub> + 0.5 | V         | 7, 8  |
| Sampling Capacitor                     | 3           |             |                        | pF        |       |
| DC Input Leakage                       | ± 1.0       | 0           | ± 3                    | μA        |       |

**NOTES:**

1. Testing is performed with V<sub>REF</sub> = 5.12 V and F<sub>OSC</sub> = 16 MHz.
2. An *LSB*, as used here, has a value of approximately 5 mV.
3. Typical values are based on a limited number of samples and are not guaranteed. Operating conditions for typical values are room temperature and V<sub>REF</sub> = V<sub>CC</sub> = 5.5 V.
4. DC to 100 KHz.
5. Multiplexer break-before-make guaranteed.
6. Resistance from device pin, through internal multiplexer, to sample capacitor.
7. These values may be exceeded if the pin current is limited to ± 2mA.
8. Applying voltage beyond these specifications will degrade the accuracy of other channels being converted.
9. All conversions were performed with processor in idle mode.

Table 18. 8-bit A/D Operating Conditions (1)

| Symbol            | Description            | Min  | Max  | Units | Notes |
|-------------------|------------------------|------|------|-------|-------|
| T <sub>A</sub>    | Ambient Temperature    | - 40 | + 85 | °C    |       |
| V <sub>CC</sub>   | Digital Supply Voltage | 4.50 | 5.50 | V     |       |
| V <sub>REF</sub>  | Analog Supply Voltage  | 4.50 | 5.50 | V     | 2     |
| T <sub>SAM</sub>  | Sample Time            | 1.0  |      | μs    | 3     |
| T <sub>CONV</sub> | Conversion Time        | 7.0  | 20.0 | μs    | 3     |
| F <sub>OSC</sub>  | Oscillator Frequency   | 8    | 16   | MHz   |       |

**NOTES:**

1. ANGND and V<sub>SS</sub> should nominally be at the same potential.
2. V<sub>REF</sub> must not exceed V<sub>CC</sub> by more than + 0.5 V because V<sub>REF</sub> supplies both the resistor ladder and the analog portion of the converter and input port pins.
3. Program the AD\_TIME register to meet the T<sub>SAM</sub> and T<sub>CONV</sub> specifications.

**Table 19. 8-bit Mode A/D Characteristics Over Specified Operating Conditions (1)**

| Parameter  | Typical (3)             | Min         | Max                    | Units (2)                  | Notes |
|--|-------------------------|-------------|------------------------|----------------------------|-------|
| Resolution   |                         | 256<br>8    | 256<br>8               | Levels<br>Bits             |       |
| Absolute Error   |                         | 0           | ± 1                    | LSBs                       |       |
| Full-scale Error   | ± 0.5                   |             |                        | LSBs                       |       |
| Zero Offset Error  | ± 0.5                   |             |                        | LSBs                       |       |
| Nonlinearity   |                         | 0           | ± 1                    | LSBs                       |       |
| Differential Nonlinearity  |                         | - 0.5       | + 0.5                  | LSBs                       |       |
| Channel-to-channel Matching  |                         | 0           | ± 1                    | LSBs                       |       |
| Repeatability  | ± 0.25                  | 0           |                        | LSBs                       |       |
| Temperature Coefficients:<br>Offset<br>Full-scale<br>Differential Nonlinearity | 0.003<br>0.003<br>0.003 |             |                        | LSB/°C<br>LSB/°C<br>LSB/°C |       |
| Off Isolation  |                         | - 60        |                        | dB                         | 4, 5  |
| Feedthrough  | - 60                    |             |                        | dB                         | 4     |
| V <sub>CC</sub> Power Supply Rejection   | - 60                    |             |                        | dB                         | 4     |
| Input Series Resistance  |                         | 750         | 1.2K                   | Ω                          | 6     |
| Voltage on Analog Input Pin  |                         | ANGND - 0.5 | V <sub>REF</sub> + 0.5 | V                          | 7, 8  |
| Sampling Capacitor   | 3                       |             |                        | pF                         |       |
| DC Input Leakage   | ± 1                     | 0           | ± 3                    | μA                         |       |

**NOTES:**

1. Testing is performed with V<sub>REF</sub> = 5.12 V and F<sub>OSC</sub> = 16 MHz.
2. An *LSB*, as used here, has a value of approximately 20 mV.
3. Typical values are based on a limited number of samples and are not guaranteed. Operating conditions for typical values are room temperature and V<sub>REF</sub> = V<sub>CC</sub> = 5.5 V.
4. DC to 100 KHz.
5. Multiplexer break-before-make guaranteed.
6. Resistance from device pin, through internal multiplexer, to sample capacitor.
7. These values may be exceeded if the pin current is limited to ± 2mA.
8. Applying voltage beyond these specifications will degrade the accuracy of other channels being converted.
9. All conversions were performed with processor in idle mode.

## OTPROM SPECIFICATIONS

Table 20. Programming Operating Conditions

| Symbol    | Description   | Min   | Max   | Units | Notes |
|-----------|---|-------|-------|-------|-------|
| $T_A$     | Ambient Temperature   | 20    | 30    | °C    |       |
| $V_{CC}$  | Supply Voltage During Programming                           | 4.50  | 5.50  | V     | 3     |
| $V_{REF}$ | Reference Supply Voltage During Programming                 | 4.50  | 5.50  | V     | 3     |
| $V_{PP}$  | Programming Voltage   | 12.25 | 12.75 | V     | 2     |
| $V_{EA}$  | EA Pin Voltage  | 12.25 | 12.75 | V     | 2     |
| $F_{OSC}$ | Oscillator Frequency During Auto and Slave Mode Programming | 6     | 8     | MHz   |       |
|           | Oscillator Frequency During Run-Time Programming            | 6     | 12    | MHz   |       |

### NOTES:

1.  $V_{CC}$  and  $V_{REF}$  should be at nominally the same voltage during programming.
2. If  $V_{PP}$  and  $V_{EA}$  exceed the maximum specification, the device may be damaged.
3.  $V_{SS}$  and ANGND should be at nominally the same potential (0 volts).
4. Load capacitance during auto and slave mode programming = 150 pF.

Table 21. AC OTPROM Programming Characteristics

| Symbol     | Description                    | Min  | Max | Units     |
|------------|--------------------------------|------|-----|-----------|
| $T_{AVLL}$ | Address Setup Time             | 0    |     | $T_{OSC}$ |
| $T_{LLAX}$ | Address Hold Time              | 100  |     | $T_{OSC}$ |
| $T_{DVPL}$ | Data Setup Time                | 0    |     | $T_{OSC}$ |
| $T_{PLDX}$ | Data Hold Time                 | 400  |     | $T_{OSC}$ |
| $T_{LLLH}$ | PALE# Pulse Width              | 50   |     | $T_{OSC}$ |
| $T_{PLPH}$ | PROG# Pulse Width (1)          | 50   |     | $T_{OSC}$ |
| $T_{PHLL}$ | PROG# High to Next PALE# Low   | 220  |     | $T_{OSC}$ |
| $T_{PHDX}$ | Word Dump Hold Time            |      | 50  | $T_{OSC}$ |
| $T_{PHPL}$ | PROG# High to Next PROG# Low   | 220  |     | $T_{OSC}$ |
| $T_{LHPL}$ | PALE# High to PROG# Low        | 220  |     | $T_{OSC}$ |
| $T_{PLDV}$ | PROG# Low to Word Dump Valid   |      | 50  | $T_{OSC}$ |
| $T_{SHLL}$ | RESET# High to First PALE# Low | 1100 |     | $T_{OSC}$ |
| $T_{PHIL}$ | PROG# High to AINC# Low        | 0    |     | $T_{OSC}$ |
| $T_{ILIH}$ | AINC# Pulse Width              | 240  |     | $T_{OSC}$ |

### NOTE:

1. This specification is for Word Dump Mode. For programming pulses, use the Modified Quick Pulse Algorithm explained in the User's Manual.

Table 21. AC OTPROM Programming Characteristics (Continued)

| Symbol     | Description               | Min | Max | Units     |
|------------|---------------------------|-----|-----|-----------|
| $T_{ILVH}$ | PVER Hold after AINC# Low | 50  |     | $T_{OSC}$ |
| $T_{ILPL}$ | AINC# Low to PROG# Low    | 170 |     | $T_{OSC}$ |
| $T_{PHVL}$ | PROG# High to PVER Valid  |     | 220 | $T_{OSC}$ |

**NOTE:**

1. This specification is for Word Dump Mode. For programming pulses, use the Modified Quick Pulse Algorithm explained in the User's Manual.

Table 22. DC OTPROM Programming Characteristics

| Symbol   | Parameter                                  | Min | Max | Units |
|----------|--|-----|-----|-------|
| $I_{PP}$ | $V_{PP}$ Supply Current (when programming) |     | 100 | mA    |

**NOTE:** Do not apply  $V_{PP}$  until  $V_{CC}$  is stable and within specifications and the oscillator/clock has stabilized. Otherwise, the device may be damaged.

**OTPROM PROGRAMMING WAVEFORMS**

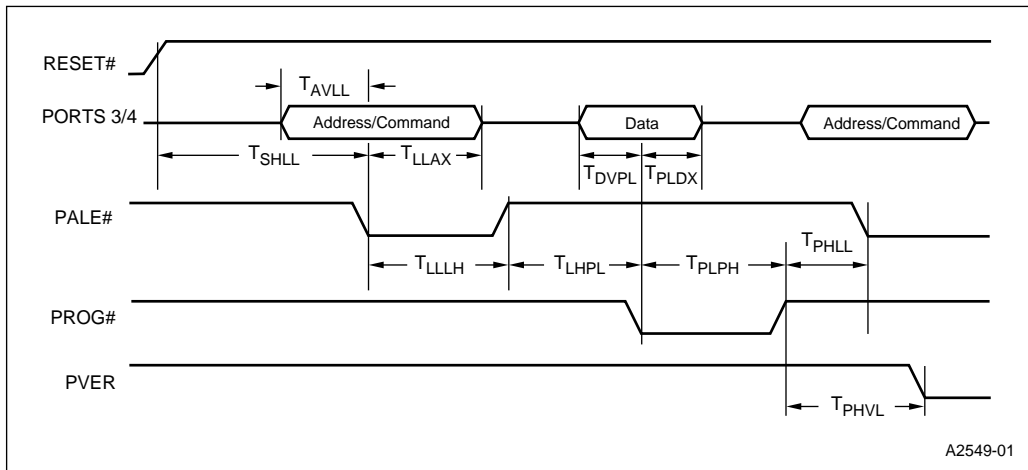


Figure 19. Slave Programming Mode Data Program Mode with Single Program Pulse

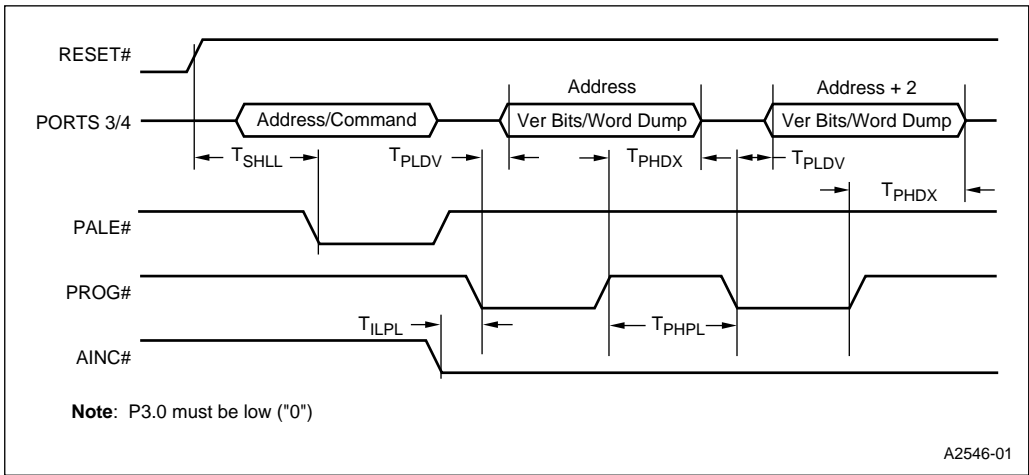


Figure 20. Slave Programming Mode in Word Dump with Autoincrement Timing

### SLAVE PROGRAMMING MODE IN WORD DUMP WITH AUTOINCREMENT

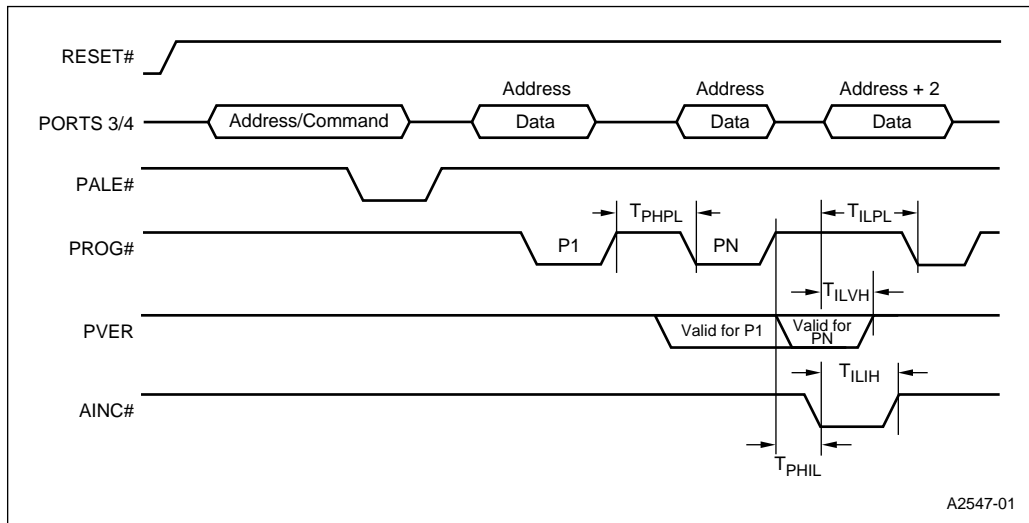


Figure 21. Slave Programming Mode in Data Program with Repeated Program Pulse and Autoincrement



## **8XC196MC/MD TO 8XC196MH DESIGN CONSIDERATIONS**

The 8XC196MH is not pin compatible with the 8XC196MC or the 8XC196MD. Be aware that signal multiplexing sometimes differs between the 8XC196MH and the 8XC196MC/MD. For example, P2.7 is multiplexed with COMP3 on the 8XC196MC/MD and with SCLK1# and BCLK1 on the 8XC196MH.

## **DATA SHEET REVISION HISTORY**

The -003 revisions were made due to the changes required for the lead free initiative. To address the fact that many of the package prefix variables have changed, all package prefix variables in this document are now indicated with an "x".