

# A3949

## DMOS Full-Bridge Motor Driver

**A3949SLB SOIC**

Scale 1:1

**A3949SLP TSSOP**

Scale 1:1

**ABSOLUTE MAXIMUM RATINGS**

Load Supply Voltage

$V_{BB}$  ..... **36 V**

$V_{BB}$  (Peak < 2  $\mu$ s) ..... **38 V**

Output Current,  $I_{OUT}$  (Repetitive)<sup>1</sup> .....  **$\pm 2.8$  A**

Sense Voltage,  $V_{SENSE}$  ..... **0.5 V**

Logic Input Voltage,  $V_{IN}$  ..... **-0.3 V to 7 V**

Package Power Dissipation,  $P_D$

A3949SLB<sup>2</sup> ..... **52°C / W**

A3949SLP<sup>3</sup> ..... **34°C / W**

Operating Temperature Range

Ambient Temperature,  $T_A$  ..... **-20°C to +85°C**

Junction Temperature,  $T_J$  ..... **+150°C Max.**

Storage Temperature,  $T_S$  ..... **-55°C to +150°C**

<sup>1</sup>Output current rating may be limited by duty cycle, ambient temperature, and heat sinking. Under any set of conditions, DO NOT exceed the specified  $I_{OUT}$  or  $T_J$ .

<sup>2</sup>Measured on a typical two-sided PCB with 2 in.<sup>2</sup> copper ground plane.

<sup>3</sup>Measured on a JEDEC-standard "High-K" 4-layer PCB.

Designed for PWM (pulse width modulated) control of dc motors, the A3949 is capable of peak output currents to  $\pm 2.8$  A and operating voltages to 36 V.

PHASE and ENABLE input terminals are provided for use in controlling the speed and direction of a dc motor with externally applied PWM control signals. Internal synchronous rectification control circuitry is provided to reduce power dissipation during PWM operation.

Internal circuit protection includes thermal shutdown with hysteresis, undervoltage monitoring of  $V_{BB}$  and  $V_{CP}$ , and crossover current protection.

The A3949 is supplied in a choice of two power packages, a 16-pin plastic SOIC with a copper batwing tab (part number suffix *LB*), and a low profile (1.1mm) 16-pin TSSOP (suffix *LP*) with exposed power tab. Both packages are available in a lead-free version (100% matte tin leadframe).

### FEATURES

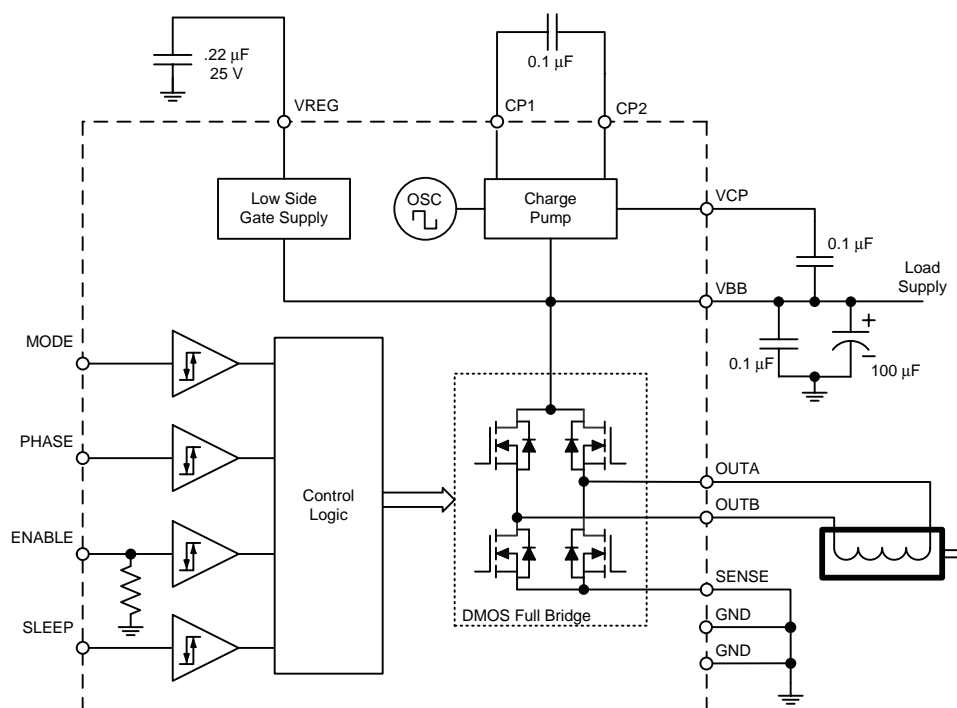
- Single supply operation
- Very small outline package
- Low  $R_{DS(ON)}$  outputs
- Sleep function
- Internal UVLO
- Crossover current protection
- Thermal shutdown protection

Use the following complete part numbers when ordering:

Part Number	Pb-free*	Package	Packing
A3949SLB-T	Yes	16-pin, SOIC	47 per tube
A3949SLBTR-T	Yes	16-pin, SOIC	1000 per reel
A3949SLP-T	Yes	16-pin, TSSOP	96 per tube
A3949SLPTR-T	Yes	16-pin, TSSOP	4000 per reel

\*Pb-based variants are being phased out of the product line. The variants cited in this footnote are in production but have been determined to be LAST TIME BUY. This classification indicates that sale of this device is currently restricted to existing customer applications. The variants should not be purchased for new design applications because obsolescence in the near future is probable. Samples are no longer available. Status change: October 31, 2006. Deadline for receipt of LAST TIME BUY orders: April 27, 2007. These variants include: A3949SLB, A3949SLBTR, A3949SLP, and A3949SLPTR.

**Functional Block Diagram**



**Control Logic Table**

PHASE	ENABLE	MODE	SLEEP	OUTA	OUTB	Function
1	1	X	1	H	L	Forward
0	1	X	1	L	H	Reverse
X	0	1	1	L	L	Brake (slow decay)
1	0	0	1	L	H	Fast decay SR*
0	0	0	1	H	L	Fast decay SR*
X	X	X	0	Hi-Z	Hi-Z	Sleep mode

\* To prevent reversal of current during fast decay SR (synchronous rectification), the outputs go to the high impedance state as the current approaches zero.

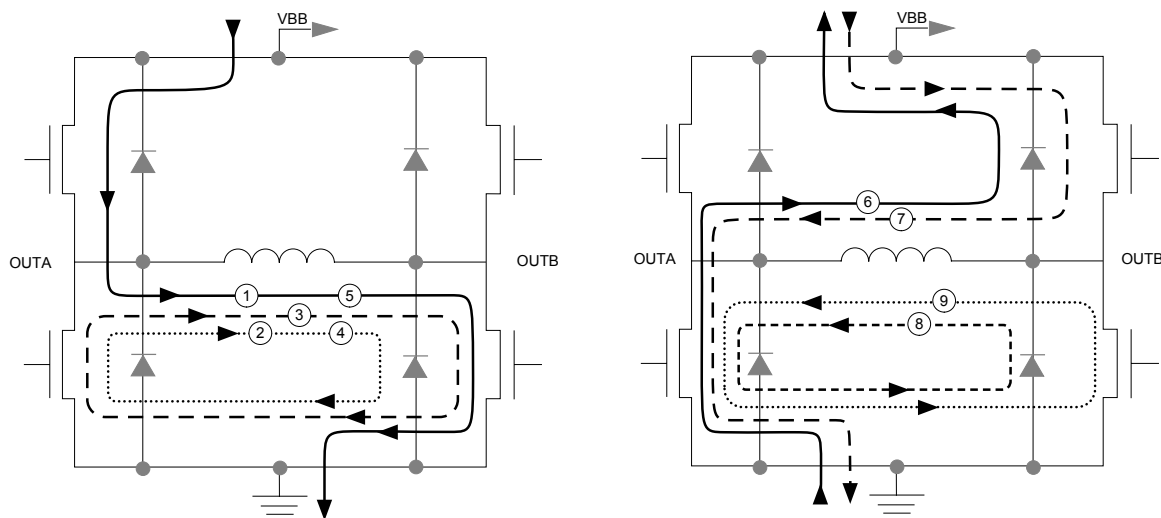
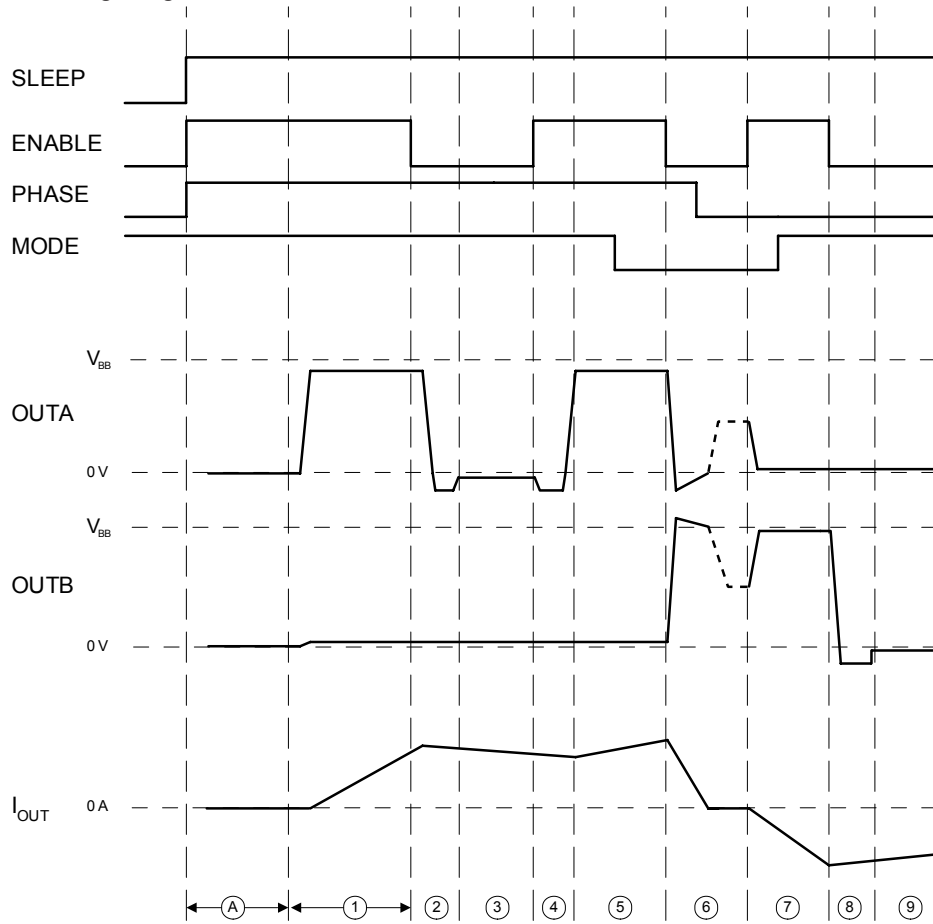
# A3949

## DMOS Full-Bridge Motor Driver

**ELECTRICAL CHARACTERISTICS** at  $T_A = 25^\circ\text{C}$ ,  $V_{BB} = 8\text{ V}$  to  $36\text{ V}$  (unless otherwise noted)

Characteristics	Symbol	Test Conditions	Min.	Typ.	Max.	Units
Output-On Resistance	$R_{\text{DSON}}$	Source driver, $I_{\text{OUT}} = -2.8\text{ A}$ , $T_J = 25^\circ\text{C}$	–	.4	.48	$\Omega$
		Source driver, $I_{\text{OUT}} = -2.8\text{ A}$ , $T_J = 125^\circ\text{C}$	–	.68	–	$\Omega$
		Sink driver, $I_{\text{OUT}} = 2.8\text{ A}$ , $T_J = 25^\circ\text{C}$	–	.3	.43	$\Omega$
		Sink driver, $I_{\text{OUT}} = -2.8\text{ A}$ , $T_J = 125^\circ\text{C}$	–	.576	–	$\Omega$
Body Diode Forward Voltage	$V_F$	Source diode, $I_F = -2.8\text{ A}$	–	1.1	1.3	V
		Sink diode, $I_F = 2.8\text{ A}$	–	1	1.3	V
Motor Supply Current	$I_{\text{BB}}$	$f_{\text{PWM}} < 50\text{ kHz}$	–	6	8.5	mA
		Charge pump turned on; outputs disabled	–	3	4.5	mA
		Sleep mode	–	–	10	$\mu\text{A}$
Logic Input Voltage PHASE, ENABLE, MODE	$V_{\text{IN}(1)}$		2.0	–	–	V
	$V_{\text{IN}(0)}$		–	–	0.8	V
Logic Input Voltage SLEEP	$V_{\text{IN}(1)}$		2.7	–	–	V
	$V_{\text{IN}(0)}$		–	–	0.8	V
Logic Input Current PHASE, MODE pins	$I_{\text{IN}(1)}$	$V_{\text{IN}} = 2.0\text{ V}$	–	< 1.0	20	$\mu\text{A}$
	$I_{\text{IN}(0)}$	$V_{\text{IN}} = 0.8\text{ V}$	–	< -2.0	-20	$\mu\text{A}$
Logic Input Current ENABLE pin	$I_{\text{IN}(1)}$	$V_{\text{IN}} = 2.0\text{ V}$	–	40	100	$\mu\text{A}$
	$I_{\text{IN}(0)}$	$V_{\text{IN}} = 0.8\text{ V}$	–	16	40	$\mu\text{A}$
Logic Input Current SLEEP pin	$I_{\text{IN}(1)}$	$V_{\text{IN}} = 2.7\text{ V}$	–	27	50	$\mu\text{A}$
	$I_{\text{IN}(0)}$	$V_{\text{IN}} = 0.8\text{ V}$	–	< 1	10	$\mu\text{A}$
Propagation Delay Times	$t_{\text{pd}}$	From PWM change to source or sink turn on	–	600	–	ns
		From PWM change to source or sink turn off	–	100	–	ns
Crossover Delay	$t_{\text{COD}}$		–	500	–	ns
<b>Protection Circuitry</b>						
UVLO Enable Threshold		VBB rising	–	6	–	V
UVLO Hysteresis			–	250	–	mV
Thermal Shutdown Temp.	$T_J$		–	170	–	$^\circ\text{C}$
Thermal Shutdown Hysteresis	$\Delta T_J$		–	15	–	$^\circ\text{C}$

PWM Control Timing Diagram



(A) Charge pump and VREG power-up delay (approximately 200 us)

# A3949

## DMOS Full-Bridge Motor Driver

### Functional Description

**VREG.** This supply voltage is used to operate the sink-side DMOS outputs. VREG is internally monitored and in the case of a fault condition, the outputs of the device are disabled. The VREG pin should be decoupled with a 0.22  $\mu\text{F}$  capacitor to ground.

**Charge Pump.** The charge pump is used to generate a supply above VBB to drive the source-side DMOS gates. A 0.1  $\mu\text{F}$  ceramic monolithic capacitor should be connected between CP1 and CP2 for pumping purposes. A 0.1  $\mu\text{F}$  ceramic monolithic capacitor should be connected between VCP and VBB to act as a reservoir to run the high side DMOS devices. The VCP voltage is internally monitored, and in the case of a fault condition, the outputs of the device are disabled.

**Shutdown.** In the event of a fault due to excessive junction temperature, or low voltage on VCP or VREG, the outputs of the device are disabled until the fault condition is removed. At power-up, the UVLO circuit disables the drivers.

**Sleep Mode.** Control input SLEEP is used to minimize power consumption when the A3949 is not in use. This disables much of the internal circuitry, including the low-side gate supply and the charge pump. A logic low on this pin puts the device into Sleep mode. A logic high allows normal operation. After coming out of Sleep mode, the user should wait 1 ms before applying PWM signals, to allow the charge pump to stabilize.

**Braking.** The braking function is implemented by driving the device in slow decay mode via the MODE pin, and applying an enable chop command. Because it is possible to drive current in both directions through the DMOS switches, this configuration effectively shorts out the motor-generated BEMF, as long as the enable chop mode is asserted on the ENABLE pin. The maximum current can be approximated by  $V_{\text{BEMF}}/R_L$ . Care should be taken to insure that the maximum ratings of the device are not exceeded in worse case braking situations of high speed and high inertial loads.

# A3949

## *DMOS Full-Bridge Motor Driver*

Data Sheet  
29319.47D

Terminal List Table

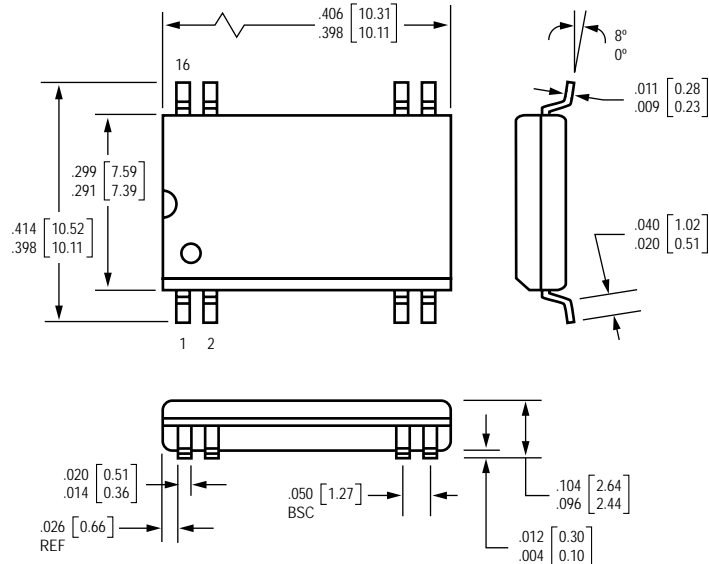
Name	Description	Number	
		TSSOP-16	SOIC-16
N/C	Not used	1	1
MODE	Logic input	2	2
PHASE	Logic input for direction control	3	3
GND	Ground	4*	4*
SLEEP	Logic input	5	5
ENABLE	Logic input	6	6
OUTA	Output A for full bridge	7	7
SENSE	Power return	8	8
VBB	Load supply voltage	9	9
OUTB	Output B for full bridge	10	10
CP1	Charge pump capacitor	11	11
CP2	Charge pump capacitor	12	12
GND	Ground	13*	13*
VCP	Reservoir capacitor	14	14
VREG	Low side gate supply decoupler	15	15
N/C	Not used	16	16

\*For the TSSOP package, connect pins 4 and 13 to the exposed thermal pad via the PCB layout. In the SOIC package, the pins are internally connected.

# A3949

## DMOS Full-Bridge Motor Driver

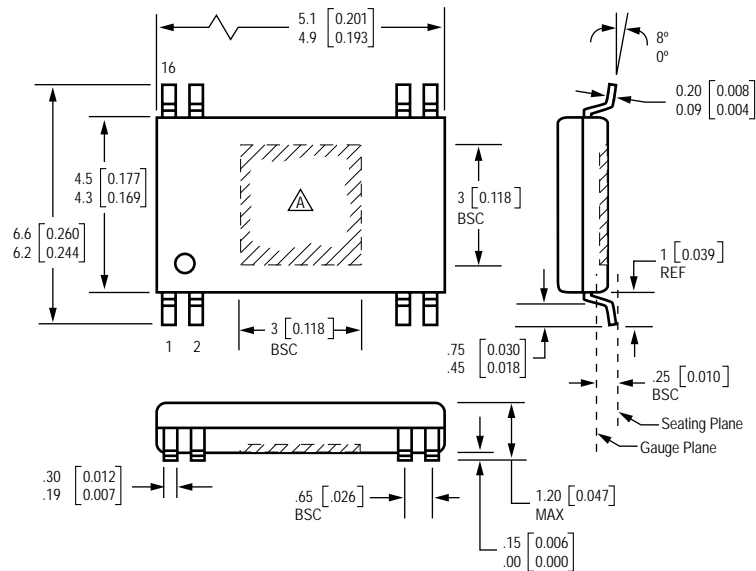
### A3949SLB 16-Pin Batwing SOIC



Dimensions in inches  
Metric dimensions (mm) in brackets, for reference only

Leads 4 and 13 are connected inside the device package.

### A3949SLP 16-Pin TSSOP



Dimensions in millimeters  
U.S. Customary dimensions (in.) in brackets, for reference only

⚠ Exposed thermal pad (bottom surface)

No internal connection of leads for thermal dissipation.

**NOTES:**

1. Exact body and lead configuration at vendor's option within limits shown.
2. Lead spacing tolerance is non-cumulative.

**A3949**  
***DMOS Full-Bridge Motor Driver***

*The products described here are manufactured under one or more U.S. patents or U.S. patents pending.*

*Allegro MicroSystems, Inc. reserves the right to make, from time to time, such departures from the detail specifications as may be required to permit improvements in the performance, reliability, or manufacturability of its products. Before placing an order, the user is cautioned to verify that the information being relied upon is current.*

*Allegro products are not authorized for use as critical components in life-support devices or systems without express written approval.*

*The information included herein is believed to be accurate and reliable. However, Allegro MicroSystems, Inc. assumes no responsibility for its use; nor for any infringement of patents or other rights of third parties which may result from its use.*

Copyright©2003, 2004 AllegroMicrosystems, Inc.

