

75 Watts

AA60A

Total Power: 75 Watts
Input Voltages: 48V
No. of Outputs: Dual



Special Features

- Output loadsharing
- 48VDC Input
- Unencapsulated 2.3" x 2.4" x 0.50" pkg.
- 100°C Baseplate temperature
- Trim feature, both rails
- Industry standard pin-out
- Enable (on/off)
- Thermal protection
- 5.0V/3.3V dual outputs

Environmental

Operating case temperature range:
 -40°C to +105°C
 Storage temperature: -40°C to +105°C
 Humidity: 5% to 100% (non-condensing)

Safety

UL UL 1950 Pending
 CAN22.2-950 Pending
TUV EN60950 Pending

Electrical Specs

Input

Input range	36 to 75 VDC (48Vdc Nom.)
Input capacitance	6.8mF (typical)
Efficiency	82% typical
Input reverse	
Voltage protection	Fuse recommended 3A.MB
Input surge voltage	100V for 100mS
Input reflected ripple	<200mA (P-P)

Output

Voltage tolerance	+ 1% (Main) Output 1; ±1.0% Output 2; ±1%
Line regulation	Output 1; ±0.2% Output 2; ±0.2% Low Line - High Line @ Full Load
Load regulation	Output 1; ±0.5% Output 2; ±0.5% (10% to 100% load) 1A minimum load per rail required
Ripple/noise	100mV P-P(max)
Temperature coefficient	+0.02%/°C (max)
Short circuit protection	Continuous - Power Cycle
Overvoltage protection	Shutdown (latching)
Transient response	4% Vo max recovery <100msec (25% to 75% step load change)
Switching frequency	400 kHz typical

Control

Enable	on =2.5 to 5.5Vdc or open circuit off = 0 to 0.8Vdc Ref. to -Vin. TTL compatible <2ma.
Input current (enable off)	
Output trim	Both outputs ±10% minimum
Thermal shutdown	110°C typ (baseplate temperature) Auto reset

Isolation

I/O isolation	1500 VDC
Isolation resistance	1 x 10 ⁹ ohms

AMERICAS

5810 Van Allen Way
 Carlsbad, CA 92008
 Telephone: 760-930-4600
 Facsimile: 760-930-0698

EUROPE

Astec House, Waterfront Business Park
 Merry Hill, Dudley
 West Midlands, DY5 1LX, UK
 Telephone: +44(0)1384-842211
 Facsimile: +44(0)1384-843355

ASIA

Units 2111-2116, Level 21
 Tower 1, Metroplaza
 223, Hing Fong Road
 Fwai Fong, New Territories
 Hong Kong
 Telephone: 852-2437-9662
 Facsimile: 852-2402-4426



AA60A

Ordering Information

Input Voltage	Output 1 Voltage	Output 2 Voltage	Model Number
36 - 75VDC	3.3V @ 19A	2.5V @ 19A	AA60A-048L-033D025
36 - 75VDC	5.0V @ 15A	3.3V @ 15A	AA60A-048L-050D033

Note:

Enable Function

"N" = negative logic enable (without "N" = positive enable)

Trim Feature

"-PI" suffix = IPD Trim equivalent

1. Maximum output power not to exceed 75W total for 5/3.3V version (15A).
2. The sum of output currents not to exceed 15amps for 5/3.3V (19A max for 3.3/2.5V).
3. Any output loading ratio within the maximum specified limits is possible.

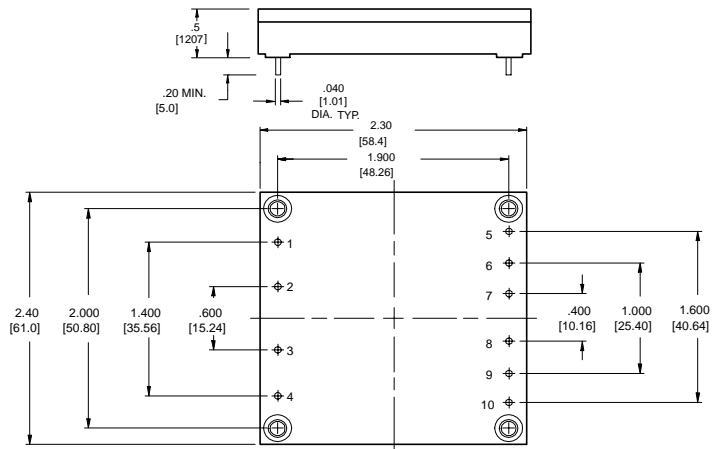
Pin Assignments

Single Output

1. -Vin
2. Case
3. Enable (on/off)
4. Vin+
5. V2
6. Rtn (V2)
7. Trim (V2)
8. V1
9. Rtn (V1)
10. Trim (V1)

Notes

1. 20MHz bandwidth. An external 2.2mf ceramic capacitor is recommended to be placed from +V out to -V out.
2. Requires a 2.2mf, 100V film capacitor connected between +V in and -V in to meet FCC class A and ETS300-386-1 requirements for conducted noise.
3. All specifications are typical at nominal line, full load, and 25°C unless otherwise noted.
4. All specifications subject to change without notice. Mechanical drawings are for reference only.
5. Please refer to the Technical Reference Notes for more information.
6. Warranty: 1 yr



Mounting Inserts
 M3 X .5 (4 places)

Astec Industry Standard