

ASCEND

Semiconductor

64M SDRAM

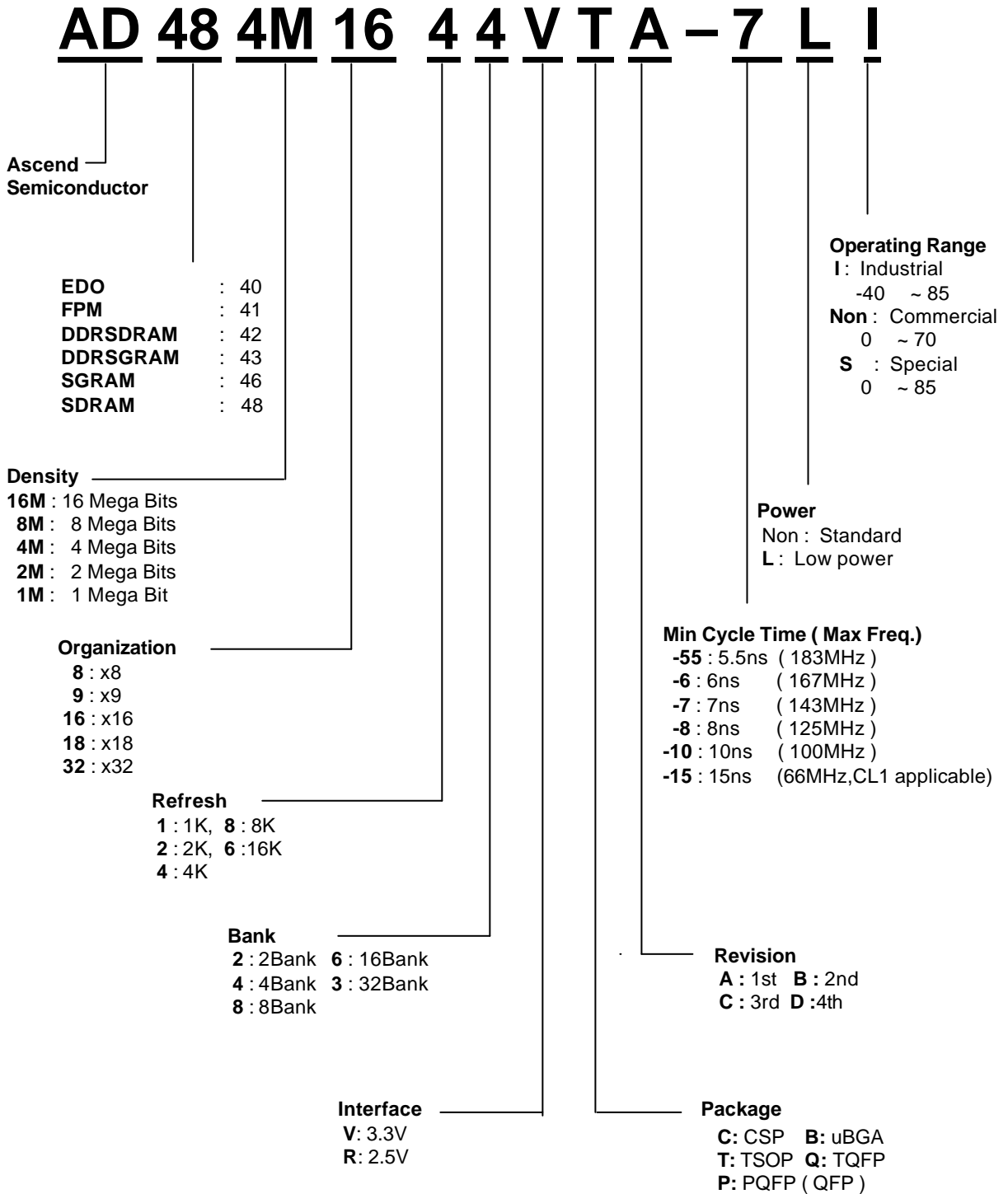
Data sheet

Tel: (03)5635888 / Fax: (03)5635188/ <http://www.ascendsemi.com.tw>

Preliminary

Ascend Semiconductor Corporation 64Mb SDRAM

Ordering Information



Preliminary

Ascend Semiconductor Corporation 64Mb SDRAM

64Mb(4Banks) Synchronous DRAM

AD484M1644VTA (4Mx16)

Description

The AD484M1644VTA is Synchronous Dynamic Random Access Memory (SDRAM) organized as 1,048,756 words x 4 banks x 16 bits. All inputs and outputs are synchronized with the positive edge of the clock . The 64Mb SDRAM uses synchronized pipelined architecture to achieve high speed data transfer rates and is designed to operate in 3.3V low power memory system. It also provides auto refresh with power saving / down mode. All inputs and outputs voltage levels are compatible with LVTTTL .

Features

- Fully synchronous to positive clock edge
- Single 3.3V +/- 0.3V power supply
- LVTTTL compatible with multiplexed address
- Industrial temperature available
- Programmable Burst Length (BL) - 1,2,4,8 or full page
- Programmable CAS Latency (CL) -1, 2 or 3
- Data Mask (DQM) for Read/Write masking
- Programmable wrap sequential - Sequential (BL = 1/2/4/8/full page)
- Interleave (BL = 1/2/4/8)
- Burst read with single-bit write operation
- All inputs are sampled at the positive rising edge of the system clock.
- Auto refresh and self refresh
- 4,096 refresh cycles / 64ms

Ordering Information

Part number	Max Freq.	Package	Operation Range	Power	Note
AD484M1644VTA-55	183MHz	54pins, TSOPII	Commercial Range : 0 ~ 70	Standard	
AD484M1644VTA-6	167MHz	54pins, TSOPII	Commercial Range : 0 ~ 70	Standard	
AD484M1644VTA-7	143MHz	54pins, TSOPII	Commercial Range : 0 ~ 70	Standard	
AD484M1644VTA-15	66MHz	54pins, TSOPII	Commercial Range : 0 ~ 70	Standard	CL1
AD484M1644VTA-7L	143MHz	54pins, TSOPII	Commercial Range : 0 ~ 70	Low power	
AD484M1644VTA-8L	125MHz	54pins, TSOPII	Commercial Range : 0 ~ 70	Low power	
AD484M1644VTA-10L	100MHz	54pins, TSOPII	Commercial Range : 0 ~ 70	Low power	

* Ascend Semiconductor reserves the right to change products or specification without notice.

Preliminary

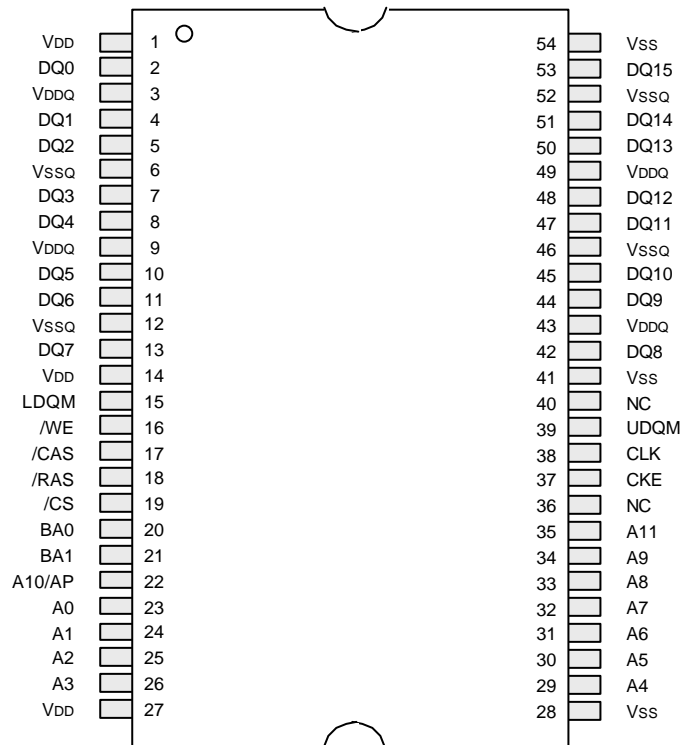
Ascend Semiconductor Corporation 64Mb SDRAM

Ordering Information

Part number	Max Freq.	Package	Operation Range	Power	Note
AD484M1644VTA-7I	143MHz	54pins, TSOPII	Industrial Range : -40 ~ 85	Standard	
AD484M1644VTA-8I	125MHz	54pins, TSOPII	Industrial Range : -40 ~ 85	Standard	
AD484M1644VTA-10I	100MHz	54pins, TSOPII	Industrial Range : -40 ~ 85	Standard	
AD484M1644VTA-7LI	143MHz	54pins, TSOPII	Industrial Range : -40 ~ 85	Low power	
AD484M1644VTA-8LI	125MHz	54pins, TSOPII	Industrial Range : -40 ~ 85	Low power	
AD484M1644VTA-10LI	100MHz	54pins, TSOPII	Industrial Range : -40 ~ 85	Low power	

* Ascend Semiconductor reserves the right to change products or specification without notice.

Pin Assignment (Top View)



54pin TSOP-II
(400milx875mil)
(0.8mm Pin pitch)

Preliminary

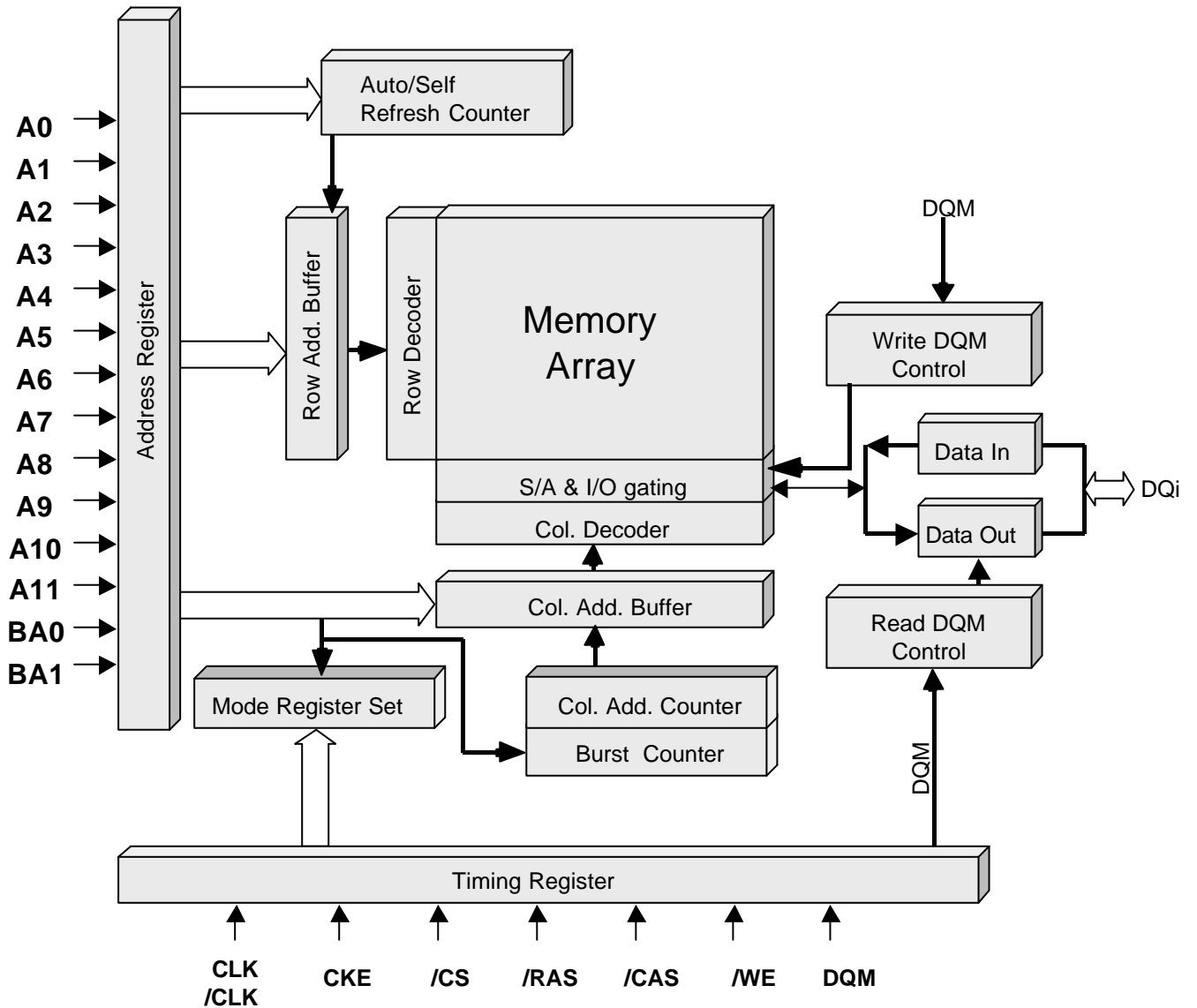
Ascend Semiconductor Corporation 64Mb SDRAM

Pin Descriptions (Simplified)

Pin	Name	Pin Function
CLK	System Clock	Master Clock Input(Active on the Positive rising edge)
/CS	Chip select	Selects chip when active
CKE	Clock Enable	Activates the CLK when "H" and deactivates when "L". CKE should be enabled at least one cycle prior to new command. Disable input buffers for power down in standby.
A0 ~ A11	Address	Row address (A0 to A11) is determined by A0 to A11 level at the bank active command cycle CLK rising edge. CA(CA0 to CA7) is determined by A0 to A7 level at the read or write command cycle CLK rising edge. And this column address becomes burst access start address. A10 defines the pre-charge mode. When A10 = High at the pre-charge command cycle, all banks are pre-charged. But when A10 = Low at the pre-charge command cycle, only the bank that is selected by BA0/BA1 is pre-charged.
BA0, BA1	Bank Address	Selects which bank is to be active.
/RAS	Row address strobe	Latches Row Addresses on the positive rising edge of the CLK with /RAS "L". Enables row access & pre-charge.
/CAS	Column address strobe	Latches Column Addresses on the positive rising edge of the CLK with /CAS low. Enables column access.
/WE	Write Enable	Latches Column Addresses on the positive rising edge of the CLK with /CAS low. Enables column access.
LDQM/ UDQM	Data input/output Mask	DQM controls I/O buffers.
DQ0 ~ 15	Data input/output	DQ pins have the same function as I/O pins on a conventional DRAM.
V _{DD} /V _{SS}	Power supply/Ground	V _{DD} and V _{SS} are power supply pins for internal circuits.
V _{DDQ} /V _{SSQ}	Power supply/Ground	V _{DDQ} and V _{SSQ} are power supply pins for the output buffers.
NC	No connection	This pin is recommended to be left No Connection on the device.

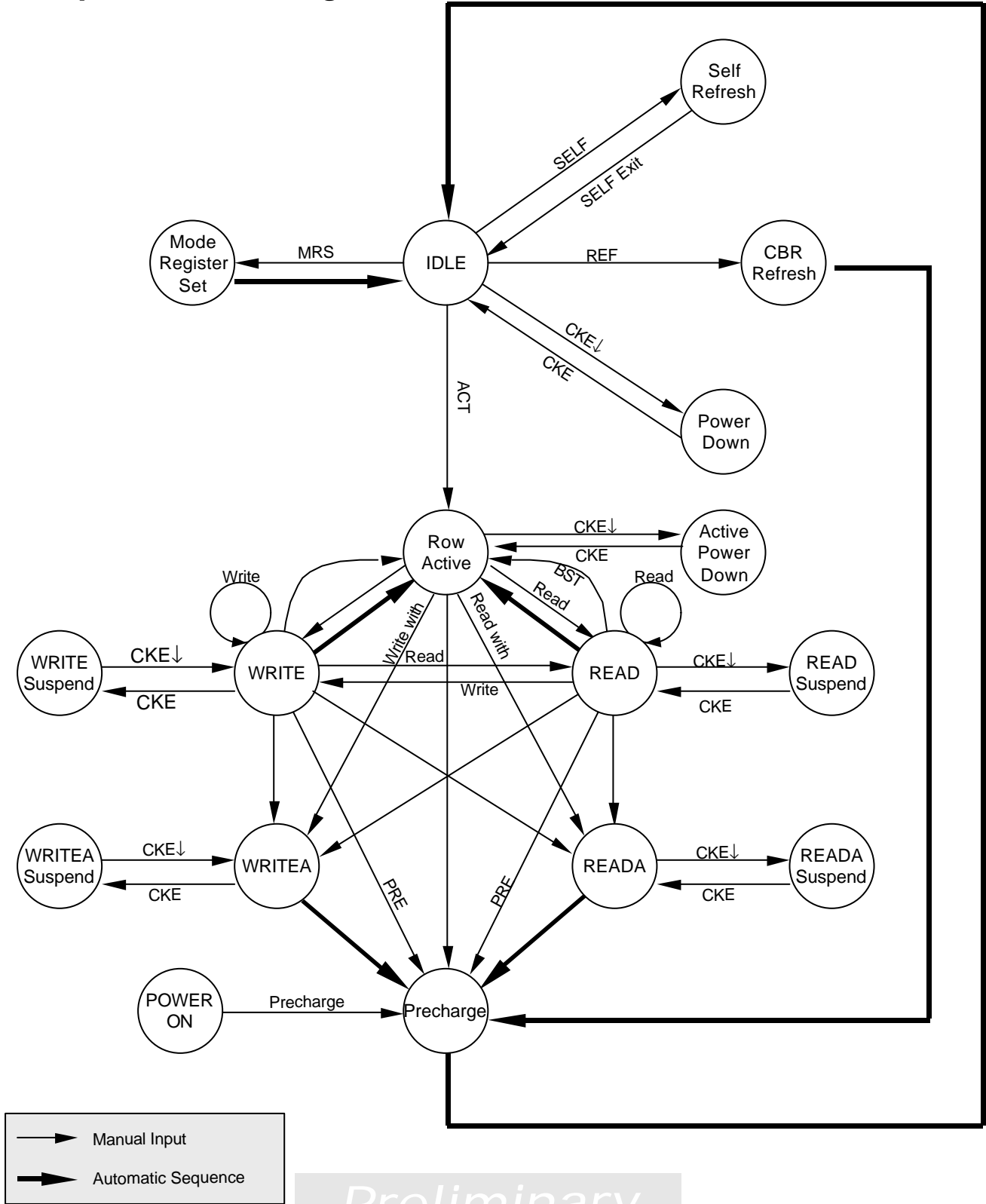
Preliminary

Block Diagram



Preliminary

Simplified State Diagram

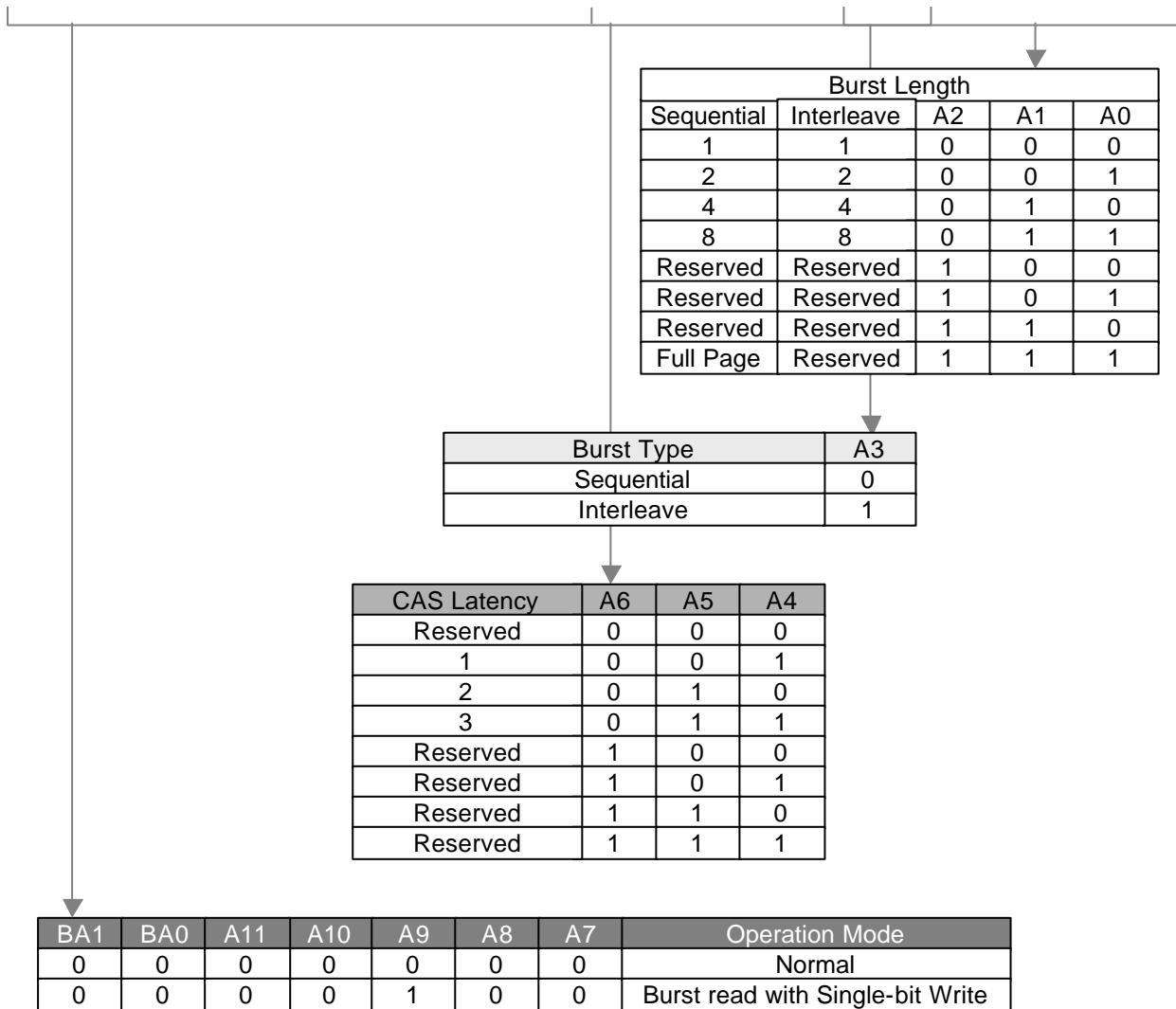


Preliminary

Ascend Semiconductor Corporation 64Mb SDRAM

Address Input for Mode Register Set

BA1	BA0	A11	A10	A9	A8	A7	A6	A5	A4	A3	A2	A1	A0
Operation Mode						CAS Latency			BT	Burst Length			



Preliminary

Ascend Semiconductor Corporation 64Mb SDRAM

Burst Type (A3)

Burst Length	A2 A1 A0	Sequential Addressing	Interleave Addressing
2	X X 0	0 1	0 1
	X X 1	1 0	1 0
4	X 0 0	0 1 2 3	0 1 2 3
	X 0 1	1 2 3 0	1 0 3 2
	X 1 0	2 3 0 1	2 3 0 1
	X 1 1	3 0 1 2	3 2 1 0
8	0 0 0	0 1 2 3 4 5 6 7	0 1 2 3 4 5 6 7
	0 0 1	1 2 3 4 5 6 7 0	1 0 3 2 5 4 7 6
	0 1 0	2 3 4 5 6 7 0 1	2 3 0 1 6 7 4 5
	0 1 1	3 4 5 6 7 0 1 2	3 2 1 0 7 6 5 4
	1 0 0	4 5 6 7 0 1 2 3	4 5 6 7 0 1 2 3
	1 0 1	5 6 7 0 1 2 3 4	5 4 7 6 1 0 3 2
	1 1 0	6 7 0 1 2 3 4 5	6 7 4 5 2 3 0 1
	1 1 1	7 0 1 2 3 4 5 6	7 6 5 4 3 2 1 0
Full Page *	n n n	Cn Cn+1 Cn+2	-

* Page length is a function of I/O organization and column addressing
x32 (CA0 ~ CA7) : Full page = 256 bits

Preliminary

Ascend Semiconductor Corporation 64Mb SDRAM

Truth Table

1. Command Truth Table (AD484M1644VTA)

Command	Symbol	CKE		/CS	/RAS	/CAS	/WE	BA0, BA1	A10	A11, A9~A0
		n-1	n							
Ignore Command	DESL	H	X	H	X	X	X	X	X	X
No operation	NOP	H	X	L	H	H	H	X	X	X
Burst stop	BSTH	H	X	L	H	H	L	X	X	X
Read	READ	H	X	L	H	L	H	V	L	V
Read with auto pre-charge	READA	H	X	L	H	L	H	V	H	V
Write	WRIT	H	X	L	H	L	L	V	L	V
Write with auto pre-charge	WRITA	H	X	L	L	H	H	V	H	V
Bank activate	ACT	H	X	L	L	H	H	V	V	V
Pre-charge select bank	PRE	H	X	L	L	H	L	V	L	X
Pre-charge all banks	PALL	H	X	L	L	H	L	X	H	X
Mode register set	MRS	H	X	L	L	L	L	L	L	V

Note : H = High level, L = Low level, X = High or Low level (Don't care), V = Valid data input

2. DQM Truth Table

Command	Symbol	CKE		/CS
		n-1	n	
Data write / output enable	ENB	H	X	H
Data mask / output disable	MASK	H	X	L
Upper byte write enable / output enable	BSTH	H	X	L
Read	READ	H	X	L
Read with auto pre-charge	READA	H	X	L
Write	WRIT	H	X	L
Write with auto pre-charge	WRITA	H	X	L
Bank activate	ACT	H	X	L
Pre-charge select bank	PRE	H	X	L
Pre-charge all banks	PALL	H	X	L
Mode register set	MRS	H	X	L

Note : H = High level, L = Low level, X = High or Low level (Don't care), V = Valid data input

3. CKE Truth Table

Command	Command	Symbol	CKE		/CS	/RAS	/CAS	/WE	Addr.
			n-1	n					
Activating	Clock suspend mode entry		H	L	X	X	X	X	X
Any	Clock suspend mode		L	L	X	X	X	X	X
Clock suspend	Clock suspend mode exit		L	H	X	X	X	X	X
Idle	CBR refresh command	REF	H	H	L	L	L	H	X
Idle	Self refresh entry	SELF	H	L	L	L	L	H	X
			L	H	L	H	H	H	X
Self refresh	Self refresh exit		L	H	H	X	X	X	X
Idle	Power down entry		H	L	X	X	X	X	X
Power down	Power down exit		L	H	X	X	X	X	X

Remark H = High level, L = Low level, X = High or Low level (Don't care)

Preliminary

Ascend Semiconductor Corporation 64Mb SDRAM

4. Operative Command Table

Current state	/CS	/R	/C	/W	Addr.	Command	Action	Notes
Idle	H	X	X	X	X	DESL	Nop or power down	2
	L	H	H	X	X	NOP or BST	Nop or power down	2
	L	H	L	H	BA/CA/A10	READ/READA	ILLEGAL	3
	L	H	L	L	BA/CA/A10	WRIT/WRITA	ILLEGAL	3
	L	L	H	H	BA/RA	ACT	Row activating	
	L	L	H	L	BA, A10	PRE/PALL	Nop	
	L	L	L	H	X	REF/SELF	Refresh or self refresh	4
	L	L	L	L	Op-Code	MRS	Mode register accessing	
Row active	H	X	X	X	X	DESL	Nop	
	L	H	H	X	X	NOP or BST	Nop	
	L	H	L	H	BA/CA/A10	READ/READA	Begin read : Determine AP	5
	L	H	L	L	BA/CA/A10	WRIT/WRITA	Begin write : Determine AP	5
	L	L	H	H	BA/RA	ACT	ILLEGAL	3
	L	L	H	L	BA, A10	PRE/PALL	Precharge	6
	L	L	L	H	X	REF/SELF	ILLEGAL	4
	L	L	L	L	Op-Code	MRS	ILLEGAL	
Read	H	X	X	X	X	DESL	Continue burst to end → Row active	
	L	H	H	H	X	NOP	Continue burst to end → Row active	
	L	H	H	L	X	BST	Burst stop → Row active	
	L	H	L	H	BA/CA/A10	READ/READA	Terminate burst, new read : Determine AP	7
	L	L	L	L	BA/CA/A10	WRIT/WRITA	Terminate burst, start write : Determine AP	7, 8
	L	L	H	H	BA/RA	ACT	ILLEGAL	3
	L	L	H	L	BA/A10	PRE/PALL	Terminate burst, pre-charging	4
	L	L	L	H	X	REF/SELF	ILLEGAL	
Write	L	L	L	L	Op-Code	MRS	ILLEGAL	
	H	X	X	X	X	DESL	Continue burst to end → Write recovering	
	L	H	H	H	X	NOP	Continue burst to end → Write recovering	
	L	H	H	L	X	BST	Burst stop → Row active	
	L	H	L	H	BA/CA/A10	READ/READA	Terminate burst, start read : Determine AP 7, 8	7,8
	L	L	L	L	BA/CA/A10	WRIT/WRITA	Terminate burst, new write : Determine AP 7	7
	L	L	H	H	BA/RA	ACT	ILLEGAL	3
	L	L	H	L	BA/A10	PRE/PALL	Terminate burst, pre-charging	9
L	L	L	H	X	REF/SELF	ILLEGAL		
L	L	L	L	Op-Code	MRS	ILLEGAL		

Remark H = High level, L = Low level, X = High or Low level (Don't care)

Preliminary

Ascend Semiconductor Corporation 64Mb SDRAM

Current state	/CS	/R	/C	/W	Addr.	Command	Action	Notes
Read with AP	H	X	X	X	X	DESL	Continue burst to end → Precharging	
	L	H	H	H	X	NOP	Continue burst to end → Precharging	
	L	H	H	L	X	BST	ILLEGAL	
	L	H	L	H	BA/CA/A10	READ/READA	ILLEGAL	3
	L	H	L	L	BA/CA/A10	WRIT/WRITA	ILLEGAL	3
	L	L	H	H	BA/RA	ACT	ILLEGAL	3
	L	L	H	L	BA, A10	PRE/PALL	ILLEGAL	3
	L	L	L	H	X	REF/SELF	ILLEGAL	
Write with AP	L	L	L	L	Op-Code	MRS	ILLEGAL	
	H	X	X	X	X	DESL	burst to end → Write recovering with auto precharge	
	L	H	H	H	X	NOP	Continue burst to end → Write recovering with auto precharge	
	L	H	H	L	X	BST	ILLEGAL	
	L	H	L	H	BA/CA/A10	READ/READA	ILLEGAL	3
	L	H	L	L	BA/CA/A10	WRIT/WRITA	ILLEGAL	3
	L	L	H	H	BA/RA	ACT	ILLEGAL	3
	L	L	H	L	BA, A10	PRE/PALL	ILLEGAL	3
Precharging	L	L	L	H	X	REF/SELF	ILLEGAL	
	L	L	L	L	Op-Code	MRS	ILLEGAL	
	H	X	X	X	X	DESL	Nop → Enter idle after trP	
	L	H	H	H	X	NOP	Nop → Enter idle after trP	
	L	H	H	L	X	BST	ILLEGAL	
	L	H	L	H	BA/CA/A10	READ/READA	ILLEGAL	3
	L	H	L	L	BA/CA/A10	WRIT/WRITA	ILLEGAL	3
	L	L	H	H	BA/RA	ACT	ILLEGAL	3
Row activating	L	L	H	L	BA, A10	PRE/PALL	Nop → Enter idle after trP	
	L	L	L	H	X	REF/SELF	ILLEGAL	
	L	L	L	L	Op-Code	MRS	ILLEGAL	
	H	X	X	X	X	DESL	Nop → Enter idle after trCD	
	L	H	H	H	X	NOP	Nop → Enter idle after trCD	
	L	H	H	L	X	BST	ILLEGAL	
	L	H	L	H	BA/CA/A10	READ/READA	ILLEGAL	3
	L	H	L	L	BA/CA/A10	WRIT/WRITA	ILLEGAL	3
Row activating	L	L	H	H	BA/RA	ACT	ILLEGAL	3,10
	L	L	H	L	BA, A10	PRE/PALL	ILLEGAL	3
	L	L	L	H	X	REF/SELF	ILLEGAL	
	L	L	L	L	Op-Code	MRS	ILLEGAL	

Remark H = High level, L = Low level, X = High or Low level (Don't care), AP = Auto Precharge

Preliminary

Ascend Semiconductor Corporation 64Mb SDRAM

Current state	/CS	/R	/C	/W	Addr.	Command	Action	Notes
Write recovering	H	X	X	X	X	DESL	Nop → Enter row active after tDPL	
	L	H	H	H	X	NOP	Nop → Enter row active after tDPL	
	L	H	H	L	X	BST	Nop → Enter row active after tDPL	
	L	H	L	H	BA/CA/A10	READ/READA	Start read, Determine AP	
	L	H	L	L	BA/CA/A10	WRIT/WRITA	New write, Determine AP	8
	L	L	H	H	BA/RA	ACT	ILLEGAL	3
	L	L	H	L	BA, A10	PRE/PALL	ILLEGAL	3
	L	L	L	H	X	REF/SELF	ILLEGAL	
Write recovering with AP	L	L	L	L	Op-Code	MRS	ILLEGAL	
	H	X	X	X	X	DESL	Nop → Enter precharge after tDPL	
	L	H	H	H	X	NOP	Nop → Enter precharge after tDPL	
	L	H	H	L	X	BST	Nop → Enter precharge after tDPL	
	L	H	L	H	BA/CA/A10	READ/READA	ILLEGAL	3,8
	L	H	L	L	BA/CA/A10	WRIT/WRITA	ILLEGAL	3
	L	L	H	H	BA/RA	ACT	ILLEGAL	3
	L	L	H	L	BA, A10	PRE/PALL	ILLEGAL	
Refreshing	L	L	L	H	X	REF/SELF	ILLEGAL	
	L	L	L	L	Op-Code	MRS	ILLEGAL	
	H	X	X	X	X	DESL	Nop → Enter idle after tRC	
	L	H	H	X	X	NOP/ BST	Nop → Enter idle after tRC	
	L	H	L	X	X	READ/WRIT	ILLEGAL	
Mode Register Accessing	L	L	H	X	X	ACT/PRE/PALL	ILLEGAL	
	L	L	L	X	X	REF/SELF/MRS	ILLEGAL	
	H	X	X	X	X	DESL	Nop	
	L	H	H	H	X	NOP	Nop	
	L	H	L	X	X	BST	ILLEGAL	
	L	L	X	X	X	ACT/PRE/PALL/ REF/SELF/MRS	ILLEGAL	

Remark H = High level, L = Low level, X = High or Low level (Don't care), AP = Auto Precharge

- Notes**
1. All entries assume that CKE was active (High level) during the preceding clock cycle.
 2. If all banks are idle, and CKE is inactive (Low level), SDRAM will enter Power down mode. All input buffers except CKE will be disabled.
 3. Illegal to bank in specified states;
 - Function may be legal in the bank indicated by Bank Address (BA), depending on the state of that bank.
 4. If all banks are idle, and CKE is inactive (Low level), SDRAM will enter Self refresh mode. All input buffers except CKE will be disabled.
 5. Illegal if tRCD is not satisfied.
 6. Illegal if tRAS is not satisfied.
 7. Must satisfy burst interrupt condition.
 8. Must satisfy bus contention, bus turn around, and/or write recovery requirements.
 9. Must mask preceding data which don't satisfy tDPL.
 10. Illegal if tRRD is not satisfied.

Preliminary

5. Command Truth Table for CKE

Current state	CKE		/CS	/R	/C	/W	Addr.	Action	Notes
	n-1	n							
Self refresh	H	X	X	X	X	X	X	INVALID, CLK (n – 1) would exit self refresh	
	L	H	H	X	X	X	X	Self refresh recovery	
	L	H	L	H	H	X	X	Self refresh recovery	
	L	H	L	H	L	X	X	ILLEGAL	
	L	H	L	L	X	X	X	ILLEGAL	
	L	L	X	X	X	X	X	Maintain self refresh	
Self refresh recovery	H	H	H	X	X	X	X	Idle after trc	
	H	H	L	H	H	X	X	Idle after trc	
	H	H	L	H	L	X	X	ILLEGAL	
	H	H	L	L	X	X	X	ILLEGAL	
	H	L	H	X	X	X	X	ILLEGAL	
	H	L	L	H	H	X	X	ILLEGAL	
	H	L	L	H	L	X	X	ILLEGAL	
Power down	H	X	X	X	X	X	X	INVALID, CLK(n-1) would exit power down	
	L	H	X	X	X	X	X	Exit power down → Idle	
	L	L	X	X	X	X	X	Maintain power down mode	
Both banks idle	H	H	H	X	X	X		Refer to operations in Operative Command Table	
	H	H	L	H	X	X		Refer to operations in Operative Command Table	
	H	H	L	L	H	X		Refer to operations in Operative Command Table	
	H	H	L	L	L	H	X	Refresh	
	H	H	L	L	L	L	Op-Code	Refer to operations in Operative Command Table	
	H	L	H	X	X	X		Refer to operations in Operative Command Table	
	H	L	L	H	X	X		Refer to operations in Operative Command Table	
	H	L	L	L	H	X		Refer to operations in Operative Command Table	
	H	L	L	L	L	H	X	Self refresh	1
	H	L	L	L	L	L	Op-Code	Refer to operations in Operative Command Table	
Row active	L	X	X	X	X	X	X	Power down	1
	L	X	X	X	X	X	X	Power down	1
Any state other than listed above	H	H	X	X	X	X		Refer to operations in Operative Command Table	
	H	L	X	X	X	X	X	Begin clock suspend next cycle	2
	L	H	X	X	X	X	X	Exit clock suspend next cycle	
	L	L	X	X	X	X	X	Maintain clock suspend	

Remark : H = High level, L = Low level, X = High or Low level (Don't care)

- Notes**
- Self refresh can be entered only from the both banks idle state.
Power down can be entered only from both banks idle or row active state.
 - Must be legal command as defined in Operative Command Table.

Ascend Semiconductor Corporation 64Mb SDRAM

Operating Range

Range	Ambient Temperature	Vcc
Commercial	0°C to +70°C	3 V ~ 3.6V
Industrial	-40°C to +85°C	3 V ~ 3.6V
Special	0°C to +85°C	3 V ~ 3.6V

Absolute Maximum Ratings

Symbol	Item	Rating	Units
V _{IN} , V _{OUT}	Input, Output Voltage	-0.3 ~ 4.6	V
V _{DD} , V _{DDQ}	Power Supply Voltage	-0.3 ~ 4.6	V
T _{STG}	Storage Temperature	-55 ~ 150	C
P _D	Power Dissipation	1	W
I _{OS}	Short Circuit Current	50	mA

Note: Caution Exposing the device to stress above those listed in Absolute Maximum Ratings could cause permanent damage. The device is not meant to be operated under conditions outside the limits described in the operational section of this specification. Exposure to Absolute Maximum Rating conditions for extended periods may affect device reliability.

Recommended DC Operation Conditions (All Operating Range)

Symbol	Parameter	Min.	Typical	Max.	Units
V _{DD}	Power Supply Voltage	3.0	3.3	3.6	V
V _{DDQ}	Power Supply Voltage (for I/O Buffer)	3.0	3.3	3.6	V
V _{IH}	Input logic high voltage	2.0		V _{DD} +0.3	V
V _{IL}	Input logic low voltage	-0.3		0.8	V

- Note:**
1. All voltage referred to V_{SS}.
 2. V_{IH} (max) = 5.6V for pulse width ≤ 3ns
 3. V_{IL} (min) = -2.0V for pulse width ≤ 3ns

Capacitance (Vcc = 3.3V, f = 1MHz, Ta = 25 °C)

Symbol	Parameter	Min.	Max.	Units
C _{CLK}	Clock capacitance	2.5	4.0	pF
C _I	Input capacitance for CLK, CKE, Address, /CS, /RAS, /CAS, /WE, DQML, DQMU	2.5	5.0	pF
C _O	Input/Output capacitance	4.0	6.5	pF

Preliminary

Ascend Semiconductor Corporation 64Mb SDRAM

Recommended DC Operating Conditions ($V_{DD} = 3.3V \pm 0.3 V$, All Operating Range)

Parameter	Symbol	Test condition	MAX						Units	Notes	
			-5.5	-6	-7	-8	-10	-15			
Operating current	ICC1	Burst length = 1, $t_{RC} \geq t_{RC}(\min)$, $I_{OL} = 0 \text{ mA}$, One bank active	CL=1	--	--	--	--	--	75	mA	1
			CL=2	--	--	--	100	95	--		
			CL=3	135	120	110	100	95	--		
Precharge standby current in power down mode	ICC2P	$CKE \leq V_{IL}(\max)$, $t_{CK} = 15 \text{ ns}$	Standard	1000						uA	
			Low power	500						uA	
	ICC2PS	$CKE \leq V_{IL}(\max)$, $t_{CK} = \infty$	Standard	1000						uA	
			Low power	500						uA	
Precharge standby current in non-power down mode	ICC2N	$CKE \geq V_{IH}(\min)$, $t_{CK} = 15 \text{ ns}$, /CS $\geq V_{IH}(\min)$ Input signals are changed one time during 30ns	35						mA		
	ICC2NS	$CKE \geq V_{IH}(\min)$, $t_{CK} = \infty$ Input signals are stable	25						mA		
Active standby current in power down mode	ICC3P	$CKE \leq V_{IL}(\max)$, $t_{CK} = 15 \text{ ns}$	8						mA		
	ICC3PS	$CKE \leq V_{IL}(\max)$, $t_{CK} = \infty$	8						mA		
Active standby current in non-power down mode (4 bank activated)	ICC3N	$CKE \geq V_{IH}(\min)$, $t_{CK} = 15 \text{ ns}$, /CS $\geq V_{IH}(\min)$ Input signals are changed one time during 30ns	50						mA		
	ICC3NS	$CKE \geq V_{IH}(\min)$, $t_{CK} = \infty$ Input signals are stable	40						mA		
Operating current (Burst mode)	ICC4	$t_{CCD} = 2CLKs$, $I_{OL} = 0 \text{ mA}$	CL=1	--	--	--	--	--	80	mA	2
			CL=2	--	--	--	110	100	--		
			CL=3	150	140	130	120	110	--		
Refresh current	ICC5	$t_{RC} \geq t_{RC}(\min)$	160	150	145	140	130	85	mA	3	
Self Refresh current	ICC6	$CKE \leq 0.2V$	Standard	1						mA	4
			Low power	500						uA	5

- Note:**
- ICC1 depends on output loading and cycle rates. Specified values are obtained with the output open. Input signals are changed only one time during $t_{CK}(\min)$
 - ICC4 depends on output loading and cycle rates. Specified values are obtained with the output open. Input signals are changed only one time during $t_{CK}(\min)$
 - Input signals are changed only one time during $t_{CK}(\min)$
 - Standard power version.
 - Low power version.

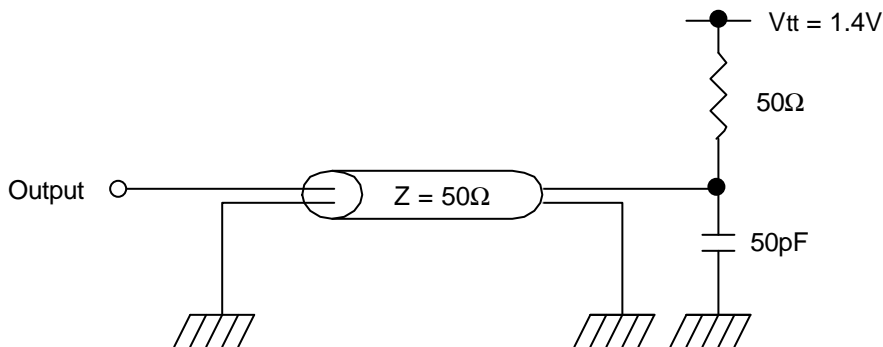
Preliminary

Recommended DC Operating Conditions (Continued)

Parameter	Symbol	Test condition	Min.	Max.	Unit
Input leakage current	I _{IL}	0 ≤ V _I ≤ VDDQ, VDDQ=VDD All other pins not under test=0 V	-0.5	+0.5	uA
Output leakage current	I _{OL}	0 ≤ V _O ≤ VDDQ, DOUT is disabled	-0.5	+0.5	uA
High level output voltage	V _{OH}	I _o = -4mA	2.4		V
Low level output voltage	V _{OL}	I _o = +4mA		0.4	V

AC Operating Test Conditions (VDD = 3.3V +/- 0.3 V, All Operating Range)

Output Reference Level	1.4V / 1.4V
Output Load	See diagram as below
Input Signal Level	2.4V / 0.4V
Transition Time of Input Signals	2ns
Input Reference Level	1.4V



Preliminary

Ascend Semiconductor Corporation 64Mb SDRAM

Operating AC Characteristics ($V_{DD} = 3.3V \pm 0.3 V$, All Operating Range)

Parameter		Symbol	-55		-6		-7		-8		-10		Units	Notes
			Min.	Max.	Min.	Max.	Min.	Max.	Min.	Max.	Min.	Max.		
Clock cycle time	CL = 3	t _{CK}	5.5		6		7		8		10		ns	
	CL = 2		–		–		10		10		10		ns	
Access time from CLK	CL = 3	t _{AC}		4.5		5.5		5.5		6		6	ns	
	CL = 2			–		–		6		6		6	ns	
CLK high level width		t _{CH}	2.0		2.5		3		3		3		ns	
CLK low level width		t _{CL}	2.0		2.5		3		3		3		ns	
Data-out hold time	CL = 3	t _{OH}	2.0		2.5		2.5		2.5		2.5		ns	2
	CL = 2		–		–		1.5		1.5		1.5		ns	3
Data-out to high impedance time	CL = 3	t _{HZ}		4.5		5		5.5		6		6	ns	4
	CL = 2			–		–		5.5		6		6	ns	
Data-out to low impedance time		t _{LZ}	1		1		1		1		1		ns	
Input hold time		t _{IH}	1		1		1		1		1		ns	6
Input setup time		t _{IS}	1.5		1.5		2		2		2		ns	6
ACTIVE to ACTIVE command period		t _{RC}	60		60		63		64		70		ns	5
ACTIVE to PRECHARGE command period		t _{RAS}	42	100k	42	100k	45	100k	46	100k	50	100k	ns	5
PRECHARGE to ACTIVE command period		t _{RP}	18		18		18		18		20		ns	5
ACTIVE to READ/WRITE delay time		t _{RCD}	18		18		18		18		20		ns	5
ACTIVE(one) to ACTIVE(another) command		t _{RRD}	10		12		14		16		18		ns	5
READ/WRITE command to READ/WRITE command		t _{CCD}	1		1		1		1		1		CLK	
Data-in to PRECHARGE command		t _{DPL}	2		2		2		2		2		CLK	
Data-in to BURST stop command		t _{BDL}	1		1		1		1		1		CLK	
Data-out to high impedance from PRECHARGE command	CL = 3	t _{TROH}	3		3		3		3		3		CLK	
	CL = 2		2		2		2		2		2		CLK	
Refresh time(4,096 cycle)		t _{REF}		64		64		64		64		64	ms	

Preliminary

Ascend Semiconductor Corporation 64Mb SDRAM

Operating AC Characteristics-- Continues ($V_{DD} = 3.3V \pm 0.3 V$, All Operating Range)

Parameter		Symbol	-15		Units	Notes
			Min.	Max.		
Clock cycle time	CL = 1	t _{CK}	15		ns	
Access time from CLK	CL = 1	t _{AC}		12	ns	
CLK high level width		t _{CH}	3		ns	
CLK low level width		t _{CL}	3		ns	
Data-out hold time		t _{OH}	2		ns	3
Data-out to high impedance time	CL = 1	t _{HZ}		6	ns	4
Data-out to low impedance time		t _{LZ}	1		ns	
Input hold time		t _{IH}	1		ns	6
Input setup time		t _{IS}	2		ns	6
ACTIVE to ACTIVE command period		t _{RC}	90		ns	5
ACTIVE to PRECHARGE command period		t _{RA}	60	100k	ns	5
PRECHARGE to ACTIVE command period		t _{RP}	22		ns	5
ACTIVE to READ/WRITE delay time		t _{RC}	25		ns	5
ACTIVE(one) to ACTIVE(another) command		t _{RR}	15		ns	5
READ/WRITE command to READ/WRITE command		t _{CC}	1		CLK	
Data-in to PRECHARGE command		t _{DPL}	1		CLK	
Data-in to BURST stop command		t _{BDL}	1		CLK	
Data-out to high impedance from PRECHARGE command	CL = 1	t _{ROH}	1		CLK	
Refresh time(4,096 cycle)		t _{REF}		64	ms	

Note :

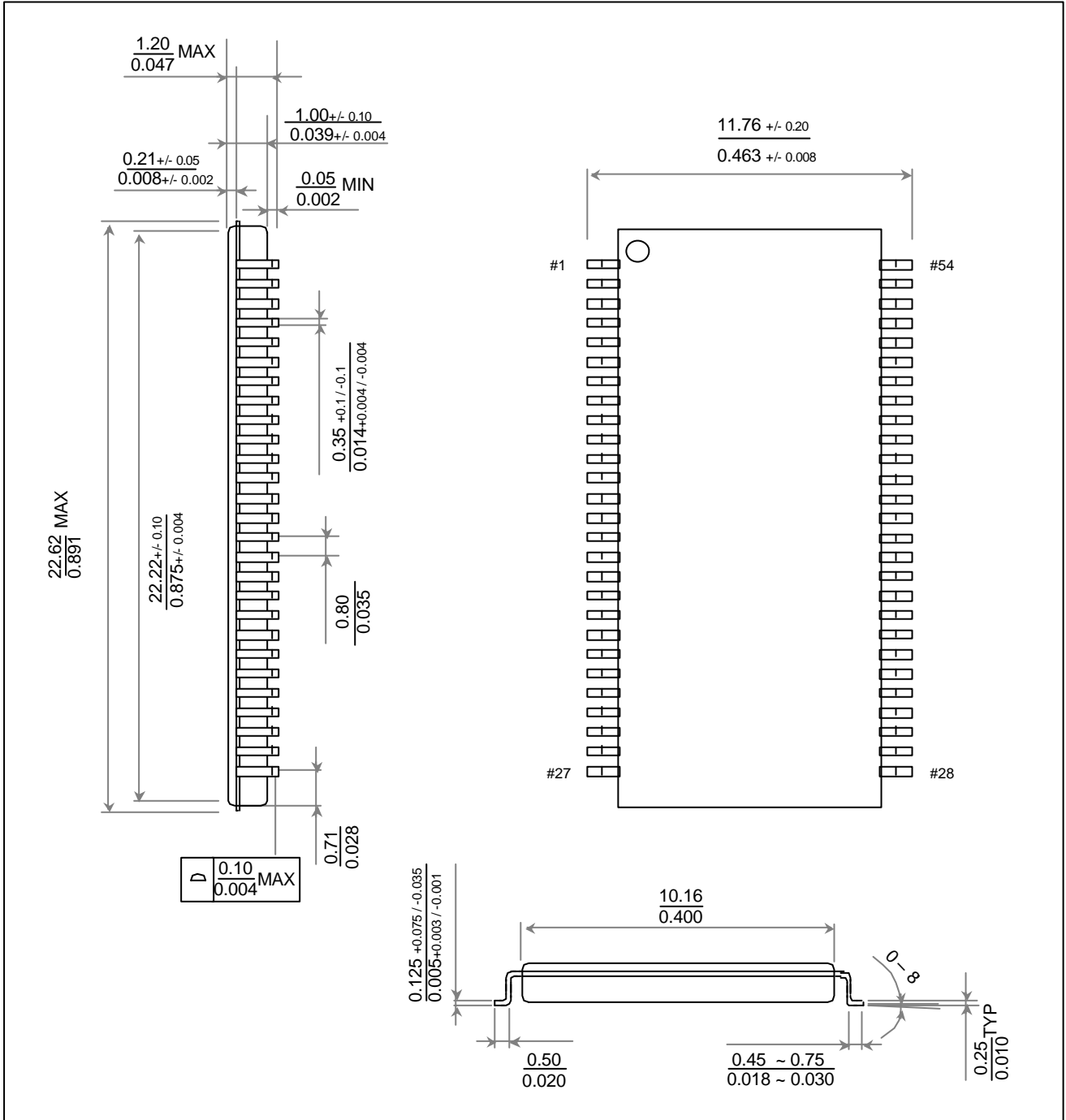
1. All voltages referenced to V_{SS}.
2. For commercial range parts.
3. For industrial range parts.
4. t_{HZ} defines the time at which the output achieve the open circuit condition and is not referenced to output voltage levels.
5. These parameters account for the number of clock cycle and depend on the operating frequency of the clock, as follows :
The number of clock cycles = Specified value of timing/clock period (Count fractions as a whole number)
6. These parameters are for address/command/data/CLK/CKE.
7. Any “-” sign on the data means “ No guarantee” .

Preliminary

Ascend Semiconductor Corporation 64Mb SDRAM

Package Dimension

Dimension in Millimeter/Inchs



* Ascend reserves the right to change products or specification without notice.

Preliminary