

TD62476P, TD62477P, TD62478P, TD62479P

2CH PERIPHERAL AND / NAND / OR / NOR DRIVERS

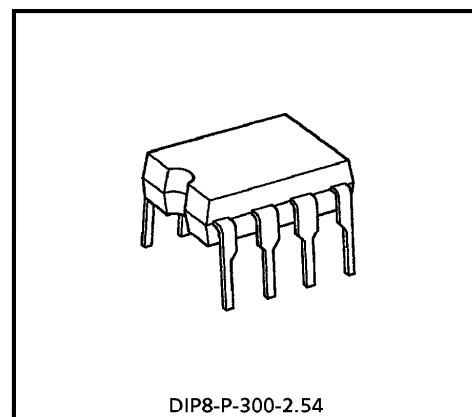
The TD62476P, TD62477P, TD62478P, TD62479P are comprised of two NPN single output stages and control inputs which can gate the outputs.

All units feature integral clamp diodes for switching inductive loads.

Applications include relay, hammer, lamp and display (LED) drivers.

FEATURES

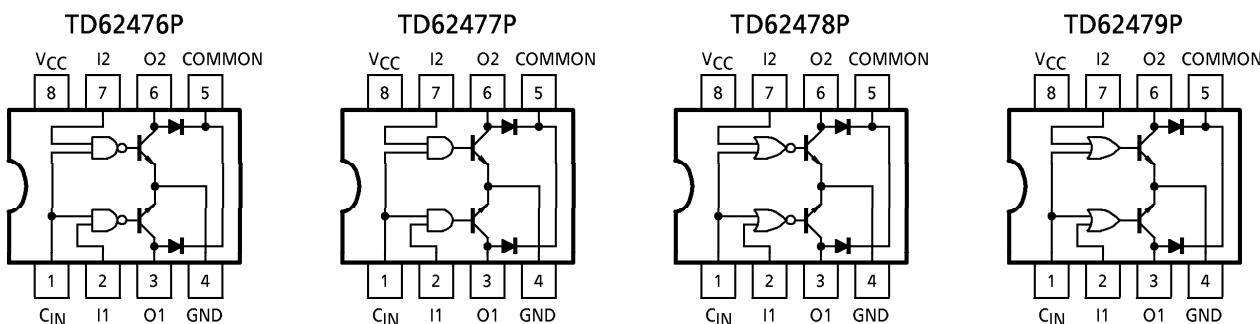
- Output current (single output) 350mA (Max.)
- High sustaining voltage output 35V (Min.)
- Output clamp diodes
- Inputs compatible with TTL and 5V CMOS
- Standard supply voltage
- Package type-P : DIP-8 pin



Weight : 0.45g (Typ.)

TD62476P			TD62477P			TD62478P			TD62479P		
INPUT		OUTPUT	INPUT		OUTPUT	INPUT		OUTPUT	INPUT		OUTPUT
C _{IN}	I		C _{IN}	I		C _{IN}	I		C _{IN}	I	
0	0	ON	0	0	OFF	0	0	ON	0	0	OFF
0	1	OFF	0	1	OFF	0	1	OFF	0	1	ON
1	0	OFF	1	0	OFF	1	0	OFF	1	0	ON
1	1	OFF	1	1	ON	1	1	OFF	1	1	ON

PIN CONNECTION (TOP VIEW)

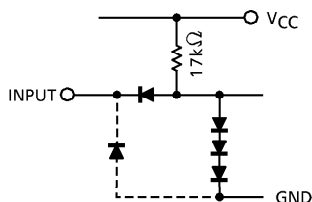


961001EBA2

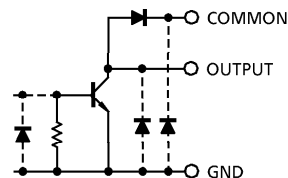
- TOSHIBA is continually working to improve the quality and the reliability of its products. Nevertheless, semiconductor devices in general can malfunction or fail due to their inherent electrical sensitivity and vulnerability to physical stress. It is the responsibility of the buyer, when utilizing TOSHIBA products, to observe standards of safety, and to avoid situations in which a malfunction or failure of a TOSHIBA product could cause loss of human life, bodily injury or damage to property. In developing your designs, please ensure that TOSHIBA products are used within specified operating ranges as set forth in the most recent products specifications. Also, please keep in mind the precautions and conditions set forth in the TOSHIBA Semiconductor Reliability Handbook.
- The products described in this document are subject to foreign exchange and foreign trade control laws.
- The information contained herein is presented only as a guide for the applications of our products. No responsibility is assumed by TOSHIBA CORPORATION for any infringements of intellectual property or other rights of the third parties which may result from its use. No license is granted by implication or otherwise under any intellectual property or other rights of TOSHIBA CORPORATION or others.
- The information contained herein is subject to change without notice.

EQUIVALENT OF INPUTS AND OUTPUTS

Equivalent of inputs



Equivalent of outputs



(Note) The input and output parasitic diodes cannot be used as clamp diodes.

MAXIMUM RATINGS (Ta = 25°C)

CHARACTERISTIC	SYMBOL	RATING	UNIT
Supply Voltage	V _{CC}	-0.5~7.0	V
Input Voltage	V _{IN}	-0.5~5.5	V
Output Sustaining Voltage	V _{CE (SUS)}	-0.5~35	V
Output Current	I _{OUT}	350	mA / ch
Clamp Diode Reverse Voltage	V _R	35	V
Clamp Diode Forward Current	I _F	300	mA
Power Dissipation	P _D (Note)	0.9	W
Operating Temperature	T _{opr}	-30~75	°C
Storage Temperature	T _{stg}	-55~150	°C

(Note) Delated above 25°C in the proportion of 7.2mW / °C.

RECOMMENDED OPERATING CONDITIONS (Ta = -30~75°C)

CHARACTERISTIC	SYMBOL	CONDITION	MIN.	TYP.	MAX.	UNIT
Supply Voltage	V _{CC}	—	4.5	5.0	5.5	V
Output Sustaining Voltage	V _{CE (SUS)}	—	0	—	35	V
Output Current	I _{OUT}	DC 1 Circuit	0	—	300	mA / ch
		DC 2 Circuits	0	—	200	
Input Voltage	V _{IN}	—	4.5	—	V _{CC}	V
Clamp Diode Reverse Voltage	V _R	—	—	—	35	V
Clamp Diode Forward Current	I _F	—	—	—	300	mA
Power Dissipation	P _D	—	—	—	0.4	W

ELECTRICAL CHARACTERISTICS (Ta = 25°C)

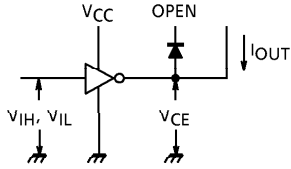
CHARACTERISTIC		SYMBOL	TEST CIR-CUIT	TEST CONDITION	MIN.	TYP.	MAX.	UNIT		
Input Voltage	"H" Level	V _{IH}	1	—	2.0	—	—	V		
	"L" Level	V _{IL}	1	—	—	—	0.8			
Output Current	"H" Level	I _{OH}	2	V _{CC} = 4.5V, V _{IH} = 2.0V V _{IL} = 0.8V, V _{OH} = 35V	—	—	10	μA		
Output Voltage	"L" Level	V _{OL}	3	V _{CC} = 4.5V V _{IH} = 2.0V V _{IL} = 0.8V	I _{OUT} = 100mA	—	0.15	0.30	V	
					I _{OUT} = 200mA	—	0.28	0.45		
					I _{OUT} = 300mA	—	0.45	0.60		
Input Current	"H" Level	I _{IH}	4	V _{CC} = 5.5V, V _{IN} = 5.5V	—	—	10	μA		
	"L" Level	I _{IL}	5	V _{CC} = 5.5V, V _{IN} = 0.4V	I	—	-0.26	-0.4	mA	
C _{IN}	—				-0.52	-0.8				
Clamp Diode Reverse Current		I _R	6	V _{CC} = 4.5V, V _R = 35V	—	—	10	μA		
Clamp Diode Forward Voltage		V _F	7	V _{CC} = 4.5V, I _F = 300mA	—	1.5	1.75	V		
Supply Current	Output Off	TD62476P	I _{CCH}	5	V _{CC} = 5.5V	V _{IN} = 5V	—	8.4	14	mA
		TD62477P				V _{IN} = 0V	—	0.6	0.85	
		TD62478P				V _{IN} = 5V	—	9	14	
		TD62479P				V _{IN} = 0V	—	1.1	1.8	
	Output On	TD62476P	I _{CCL}	4		V _{IN} = 5V	—	38	55	
		TD62477P				V _{IN} = 0V	—	36	53	
		TD62478P				V _{IN} = 5V	—	39	56	
		TD62479P				V _{IN} = 0V	—	36	63	

SWITCHING CHARACTERISTICS (Ta = 25°C)

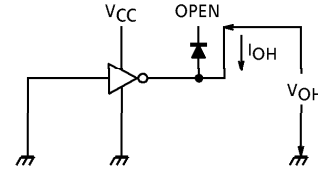
CHARACTERISTIC		SYMBOL	TEST CIR-CUIT	CONDITION	MIN.	TYP.	MAX.	UNIT
Propagation Delay Time	"H" Level	t _{pLH}	—	C _L = 15pF, R _L = 120Ω	—	0.7	—	μs
	"L" Level	t _{pHL}	—		—	0.2	—	

TEST CIRCUIT

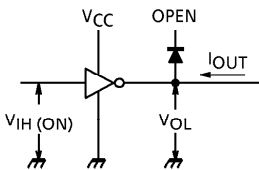
1. V_{IH}, V_{IL}



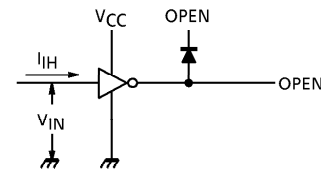
2. I_{OH}



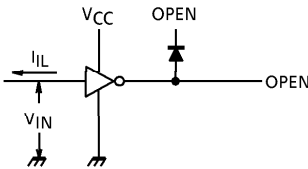
3. V_{OL}



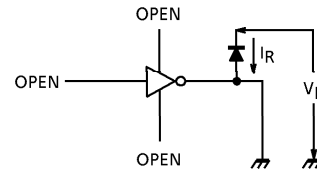
4. I_{IH}, I_{CCL}



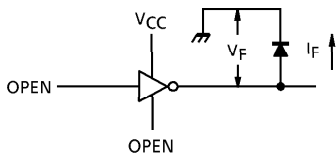
5. I_{IL}, I_{CCH}



6. I_R



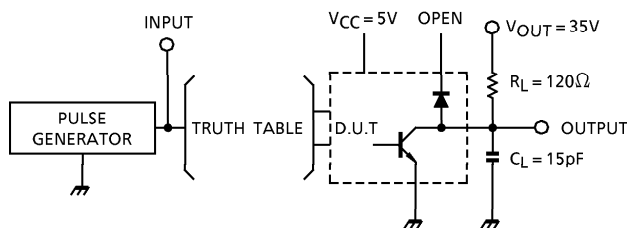
7. V_F



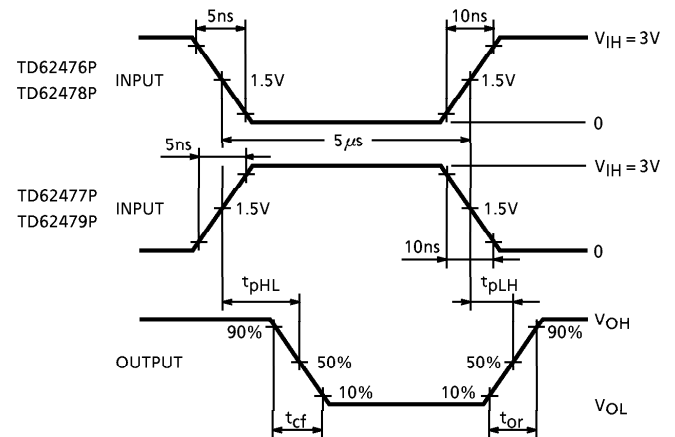
PRECAUTIONS for USING

Utmost care is necessary in the design of the output line, V_{CC} , COMMON and GND line since IC may be destroyed due to short-circuit between outputs, air contamination fault, or fault by improper grounding.

TEST CIRCUIT OF SWITCHING CHARACTERISTIC

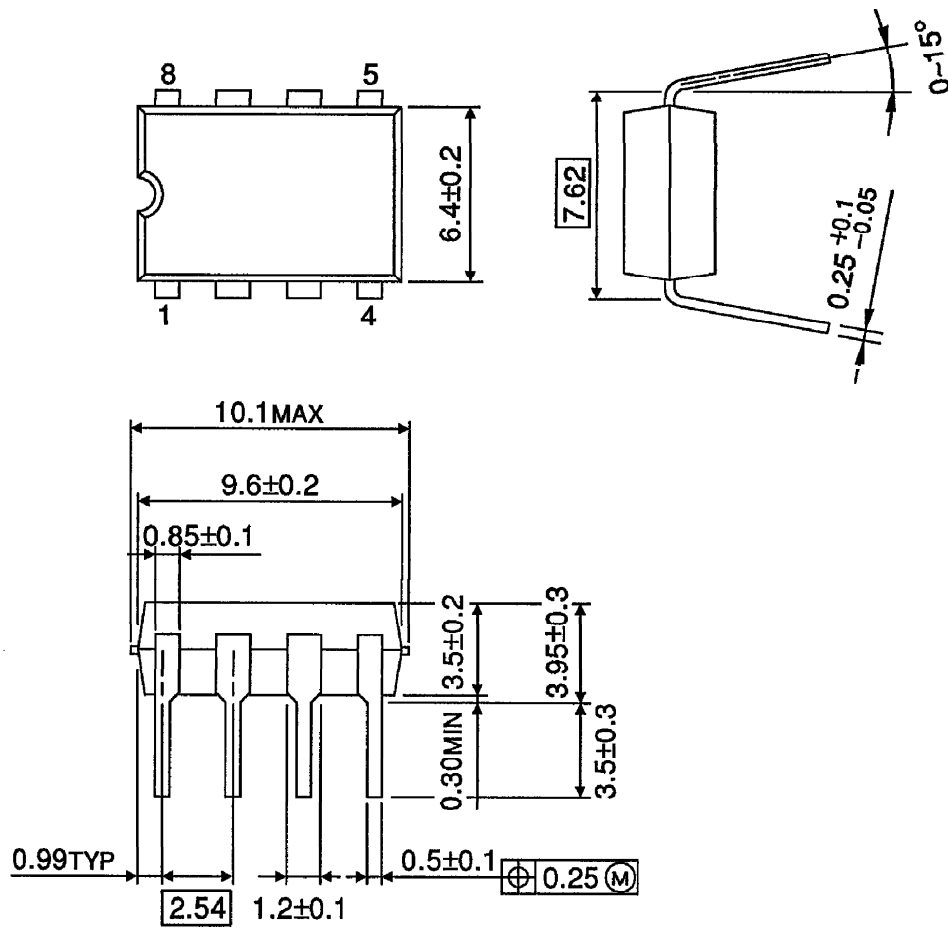


TEST WAVEFORM



OUTLINE DRAWING
DIP8-P-300-2.54

Unit : mm



Weight : 0.45g (Typ.)