



# Motor Control Current Shunt 1-Bit, 10MHz, 2nd-Order, Delta-Sigma Modulator

## FEATURES

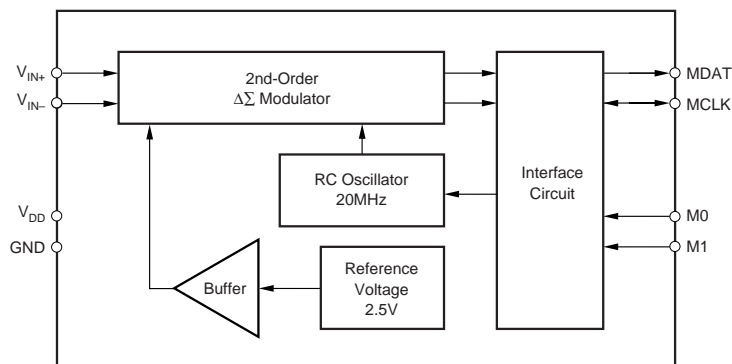
- 16-BIT RESOLUTION
- 13-BIT LINEARITY
- RESOLUTION/SPEED TRADE-OFF:  
10-Bit Effective Resolution with 20 $\mu$ s Signal Delay (12-bit with 77 $\mu$ s)
- $\pm$ 250mV INPUT RANGE WITH SINGLE 5V SUPPLY
- 2% INTERNAL REFERENCE VOLTAGE
- 2% GAIN ERROR
- FLEXIBLE SERIAL INTERFACE WITH FOUR DIFFERENT MODES
- IMPLEMENTED TWINNED BINARY CODING AS SPLIT PHASE OR MANCHESTER CODING FOR ONE LINE INTERFACING
- OPERATING TEMPERATURE RANGE:  
–40 $^{\circ}$ C to +85 $^{\circ}$ C

## APPLICATIONS

- MOTOR CONTROL
- CURRENT MEASUREMENT
- INDUSTRIAL PROCESS CONTROL
- INSTRUMENTATION
- SMART TRANSMITTERS
- PORTABLE INSTRUMENTS
- WEIGHT SCALES
- PRESSURE TRANSDUCERS

## DESCRIPTION

The ADS1202 is a precision, 80dB dynamic range, delta-sigma ( $\Delta\Sigma$ ) modulator operating from a single +5V supply. The differential inputs are ideal for direct connections to transducers or low-level signals. With the appropriate digital filter and modulator rate, the device can be used to achieve 16-bit Analog-to-Digital (A/D) conversion with no missing codes. Effective resolution of 12 bits can be maintained with a digital filter bandwidth of 10kHz at a modulator rate of 10MHz. The ADS1202 is designed for use in medium resolution measurement applications including current measurements, smart transmitters, industrial process control, weigh scales, chromatography, and portable instrumentation. It is available in a TSSOP-8 package.



Please be aware that an important notice concerning availability, standard warranty, and use in critical applications of Texas Instruments semiconductor products and disclaimers thereto appears at the end of this data sheet.

## ABSOLUTE MAXIMUM RATINGS

Over operating free-air temperature (unless otherwise noted)<sup>(1)</sup>

|   |                               |
|---|-------------------------------|
| Supply Voltage, GND to $V_{DD}$                     | -0.3V to 6V                   |
| Analog Input Voltage Range                          | GND - 0.4V to $V_{DD}$ + 0.3V |
| Digital Input Voltage Range                         | GND - 0.3V to $V_{DD}$ + 0.3V |
| Power Dissipation                                   | 0.25W                         |
| Operating Virtual Junction Temperature Range, $T_J$ | -40°C to +150°C               |
| Operating Free-Air Temperature Range, $T_A$         | -40°C to +85°C                |
| Storage Temperature Range, $T_{STG}$                | -65°C to +150°C               |
| Lead Temperature 1.6mm (1/16") from Case for 10s    | +260°C                        |

NOTE: (1) Stresses beyond those listed under the Absolute Maximum Ratings may cause permanent damage to the device. These are stress ratings only, and functional operation of the device at these or any other conditions beyond those indicated under the Recommended Operating Conditions is not implied. Exposure to absolute-maximum-rated conditions for extended periods may affect device reliability.



## ELECTROSTATIC DISCHARGE SENSITIVITY

This integrated circuit can be damaged by ESD. Texas Instruments recommends that all integrated circuits be handled with appropriate precautions. Failure to observe proper handling and installation procedures can cause damage.

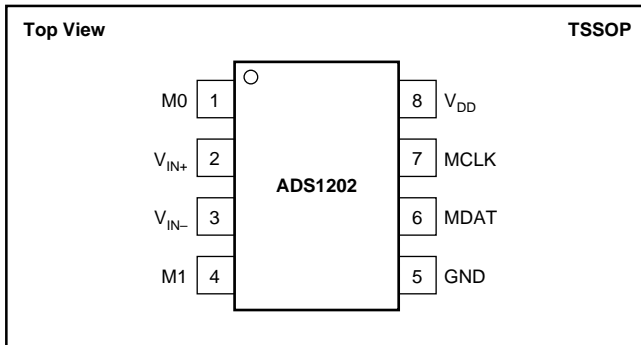
ESD damage can range from subtle performance degradation to complete device failure. Precision integrated circuits may be more susceptible to damage because very small parametric changes could cause the device not to meet its published specifications.

## PACKAGE/ORDERING INFORMATION

| PRODUCT | MAXIMUM INTEGRAL LINEARITY ERROR (LSB) | MAXIMUM GAIN ERROR (%) | PACKAGE-LEAD | SPECIFIED PACKAGE DESIGNATOR <sup>(1)</sup> | TEMPERATURE RANGE | PACKAGE MARKING | ORDERING NUMBER | TRANSPORT MEDIA, QUANTITY |
|---------|--|------------------------|--------------|---|-------------------|-----------------|-----------------|---------------------------|
| ADS1202 | 12                                     | ±2                     | TSSOP-8      | PW  | -40°C to +85°C    | ADS1202I        | ADS1202IPWT     | Tape and Reel, 250        |
| ADS1202 | "                                      | "                      | "            | "   | "                 | "               | ADS1202IPWR     | Tape and Reel, 2000       |

NOTE: (1) For the most current specifications and package information, refer to our web site at [www.ti.com](http://www.ti.com).

## PIN CONFIGURATION



## PIN DESCRIPTIONS

| PIN NUMBER | NAME      | DESCRIPTION                      |
|------------|-----------|----------------------------------|
| 1          | MO        | Mode Input                       |
| 2          | $V_{IN+}$ | Analog Input: Noninverting Input |
| 3          | $V_{IN-}$ | Analog Input: Inverting Input    |
| 4          | M1        | Mode Input                       |
| 5          | GND       | Power Supply Ground              |
| 6          | MDAT      | Modulator Data Output            |
| 7          | MCLK      | Modulator Clock Input or Output  |
| 8          | $V_{DD}$  | Power Supply, +5V Nominal        |

## RECOMMENDED OPERATING CONDITIONS

| PARAMETER                              | MIN  | NOM | MAX  | UNIT |
|--|------|-----|------|------|
| Supply Voltage, $V_{DD}$               | 4.75 | 5.0 | 5.25 | V    |
| Analog Input Voltage, $V_{IN}$         | -250 |     | +250 | mV   |
| Operating Common-Mode Signal, $V_{CM}$ | 0    |     | 5    | V    |
| External Clock <sup>(1)</sup>          | 8    | 10  | 12   | MHz  |
| Operating Junction Temperature Range   | -40  |     | 105  | °C   |

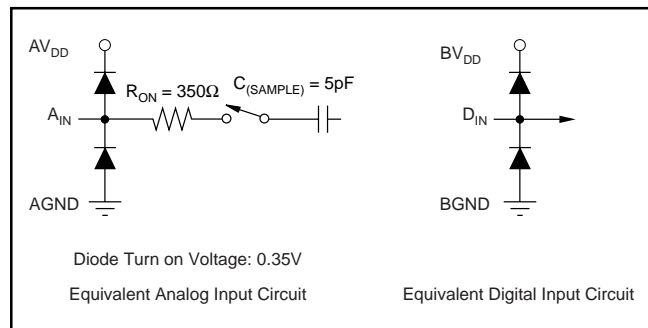
NOTE: (1) With reduced accuracy, minimum clock can go up to 500kHz.

## DISSIPATION RATING

| PACKAGE | $T_A < 25^\circ\text{C}$<br>POWER RATING | DERATING FACTOR ABOVE $T_A = 25^\circ\text{C}$ <sup>(1)</sup> | $T_A = 70^\circ\text{C}$<br>POWER RATING | $T_A = 85^\circ\text{C}$<br>POWER RATING |
|---------|--|---|--|--|
| TSSOP-8 | 483.6mW                                  | 3.868mW/°C  | 309.5mW                                  | 251.4mW                                  |

NOTE: (1) This is the inverse of the traditional junction-to-ambient thermal resistance ( $R_{\theta JA}$ ). Thermal resistances are not production tested and are for informational purposes only.

## EQUIVALENT INPUT CIRCUIT



# ELECTRICAL CHARACTERISTICS

Over recommended operating free-air temperature range at  $-40^{\circ}\text{C}$  to  $+85^{\circ}\text{C}$ ,  $V_{\text{DD}} = 5\text{V}$ ,  $+\text{In} = -250\text{mV}$  to  $250\text{mV}$ ,  $-\text{In} = 0\text{V}$ , and  $\text{MCLK} = 10\text{MHz}$ , unless otherwise noted.

| PARAMETER                                    | CONDITIONS                | ADS1202IPW  |                          |                       | UNITS                          |                    |
|--|---------------------------|---|--------------------------|-----------------------|--------------------------------|--------------------|
|  |                           | MIN   | TYP <sup>(1)</sup>       | MAX                   |                                |                    |
| <b>RESOLUTION</b>                            |                           | 16  |                          |                       | Bits                           |                    |
| <b>DC ACCURACY</b>                           |                           |   |                          |                       |                                |                    |
| Integral Nonlinearity                        | INL                       |   | $\pm 3$<br>0.005         | $\pm 12$<br>0.018     | LSB<br>%                       |                    |
| Differential Linearity <sup>(1)</sup>        | DNL                       |   |                          | $\pm 1$               | LSB                            |                    |
| Input Offset                                 | $V_{\text{OS}}$           |   | $\pm 300$                | $\pm 1000$            | $\mu\text{V}$                  |                    |
| Input Offset Drift                           | $\text{TCV}_{\text{OS}}$  |   | 2                        | 8                     | $\mu\text{V}/^{\circ}\text{C}$ |                    |
| Gain Error                                   | $G_{\text{ERR}}$          |   | $\pm 0.25$               | $\pm 2$               | %                              |                    |
| Gain Error Drift                             | $\text{TCG}_{\text{ERR}}$ |   | 20                       |                       | $\text{ppm}/^{\circ}\text{C}$  |                    |
| Power-Supply Rejection Ratio                 | PSRR                      | $4.75\text{V} < V_{\text{DD}} < 5.25\text{V}$                 | 80                       |                       | dB                             |                    |
| <b>ANALOG INPUT</b>                          |                           |   |                          |                       |                                |                    |
| Full-Scale Range                             | FSR                       | $+\text{In} - (-\text{In})$                                   |                          | $\pm 320$             | mV                             |                    |
| Operating Common-Mode Signal <sup>(2)</sup>  |                           | Common-Mode   | $-0.1$                   | 5                     | V                              |                    |
| Input Capacitance                            |                           | Equivalent  |                          | 3                     | pF                             |                    |
| Input Leakage Current                        |                           |   |                          | $\pm 1$               | nA                             |                    |
| Differential Input Resistance                |                           |   |                          | 28                    | k $\Omega$                     |                    |
| Differential Input Capacitance               |                           |   |                          | 5                     | pF                             |                    |
| Common-Mode Rejection Ratio <sup>(2)</sup>   | CMRR                      | At DC<br>$V_{\text{IN}} = \pm 1.25\text{Vp-p}$ at 50kHz       |                          | 90                    | dB                             |                    |
|  |                           |   |                          | 85                    | dB                             |                    |
| <b>INTERNAL VOLTAGE REFERENCE</b>            |                           |   |                          |                       |                                |                    |
| Reference Voltage                            | $V_{\text{OUT}}$          | Scale to 320mV  | 2.450                    | 2.5                   | V                              |                    |
| Initial Accuracy                             |                           | Scale to 320mV  |                          | $\pm 2$               | %                              |                    |
| Reference Temperature Drift                  | $dV_{\text{OUT}}/dT$      |   |                          | $\pm 20$              | $\text{ppm}/^{\circ}\text{C}$  |                    |
| PSRR   |                           |   |                          | 80                    | dB                             |                    |
| Startup Time                                 |                           |   |                          | 0.1                   | ms                             |                    |
| <b>INTERNAL CLOCK FOR MODES, 0, 1, AND 2</b> |                           |   |                          |                       |                                |                    |
| Clock Frequency                              |                           |   | 8                        | 10                    | 12                             | MHz                |
| <b>EXTERNAL CLOCK FOR MODE 3</b>             |                           |   |                          |                       |                                |                    |
| Clock Frequency                              |                           |   | 16                       | 20                    | 24                             | MHz                |
| <b>AC ACCURACY</b>                           |                           |   |                          |                       |                                |                    |
| Signal-to-Noise Ratio + Distortion           | SINAD                     | $V_{\text{IN}} = \pm 250\text{mVp-p}$ at 5kHz                 |                          | 70                    | dB                             |                    |
| Signal-to-Noise Ratio                        | SNR                       | $V_{\text{IN}} = \pm 250\text{mVp-p}$ at 5kHz                 | 67                       | 70.5                  | dB                             |                    |
| Total Harmonic Distortion                    | THD                       | $V_{\text{IN}} = \pm 250\text{mVp-p}$ at 5kHz                 |                          | -84                   | dB                             |                    |
| Spurious Free Dynamic Range                  | SFDR                      | $V_{\text{IN}} = \pm 250\text{mVp-p}$ at 5kHz                 |                          | 84                    | dB                             |                    |
| <b>DIGITAL INPUT</b>                         |                           |   |                          |                       |                                |                    |
| Logic Family                                 |                           |   | TTL with Schmitt Trigger |                       |                                |                    |
| High-Level Input Voltage                     | $V_{\text{IH}}$           |   | 2.6                      | $V_{\text{DD}} + 0.3$ | V                              |                    |
| Low-Level Input Voltage                      | $V_{\text{IL}}$           |   | -0.3                     | 0.8                   | V                              |                    |
| High-Level Input Current                     | $I_{\text{IH}}$           | $V_{\text{I}} = V_{\text{DD}}$                                | 0.005                    | 2.5                   | $\mu\text{A}$                  |                    |
| Low-Level Input Current                      | $I_{\text{IL}}$           | $V_{\text{I}} = \text{GND}$                                   | -2.5                     | 0.005                 | $\mu\text{A}$                  |                    |
| Input Capacitance                            | $C_{\text{J}}$            |   |                          | 5                     | pF                             |                    |
| <b>DIGITAL OUTPUT</b>                        |                           |   |                          |                       |                                |                    |
| High-Level Digital Output                    | $V_{\text{OH}}$           | $V_{\text{DD}} = 4.5\text{V}$ , $I_{\text{O}} = -5\text{mA}$  | 4.6                      |                       | V                              |                    |
|  |                           | $V_{\text{DD}} = 4.5\text{V}$ , $I_{\text{O}} = -15\text{mA}$ | 3.9                      |                       | V                              |                    |
| Low-Level Digital Output                     | $V_{\text{OL}}$           | $V_{\text{DD}} = 4.5\text{V}$ , $I_{\text{O}} = 5\text{mA}$   |                          | 0.4                   | V                              |                    |
|  |                           | $V_{\text{DD}} = 4.5\text{V}$ , $I_{\text{O}} = 15\text{mA}$  |                          | 1.1                   | V                              |                    |
| Output Capacitance                           | $C_{\text{O}}$            |   |                          | 5                     | pF                             |                    |
| Load Capacitance                             | $C_{\text{L}}$            |   |                          | 30                    | pF                             |                    |
| <b>POWER SUPPLY</b>                          |                           |   |                          |                       |                                |                    |
| Supply Voltage                               | $V_{\text{DD}}$           |   | 4.5                      | 5                     | 5.5                            | V                  |
| Operating Supply Current                     | $I_{\text{CC}}$           | Mode 0  |                          | 6                     | 7.5                            | mA                 |
|  |                           | Mode 3  |                          | 8                     | 9.5                            | mA                 |
| Power Dissipation                            |                           | $V_{\text{DD}} = 5\text{V}$ , Mode 0                          |                          | 30                    | 37.5                           | mW                 |
|  |                           | $V_{\text{DD}} = 5\text{V}$ , Mode 3                          |                          | 40                    | 47.5                           | mW                 |
| <b>OPERATING TEMPERATURE</b>                 |                           |   | -40                      |                       | +85                            | $^{\circ}\text{C}$ |

NOTES: (1) All typical values are at  $T_{\text{A}} = +25^{\circ}\text{C}$ . (2) Ensured by design. (3) Integral nonlinearity is defined as one-half the peak-to-peak deviation of the best fit line through the transfer curve for  $V_{\text{IN}+} = -250\text{mV}$  to  $+250\text{mV}$ , expressed either as the number of LSBs or as a percent of measured input range (500mV). (4) Only typical information parameter not tested.

## TIMING DIAGRAMS

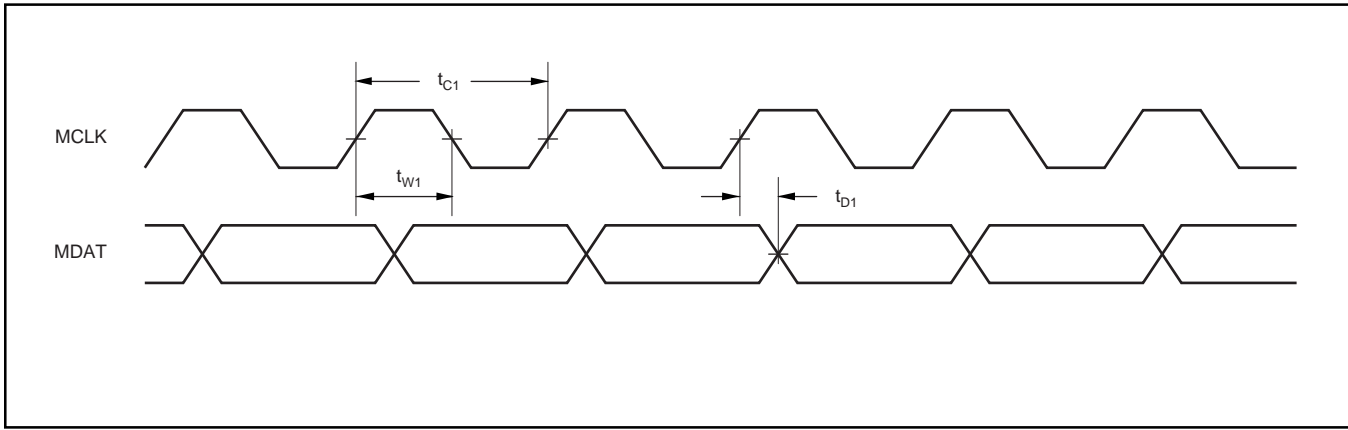


DIAGRAM 1: Mode 0 Operation.

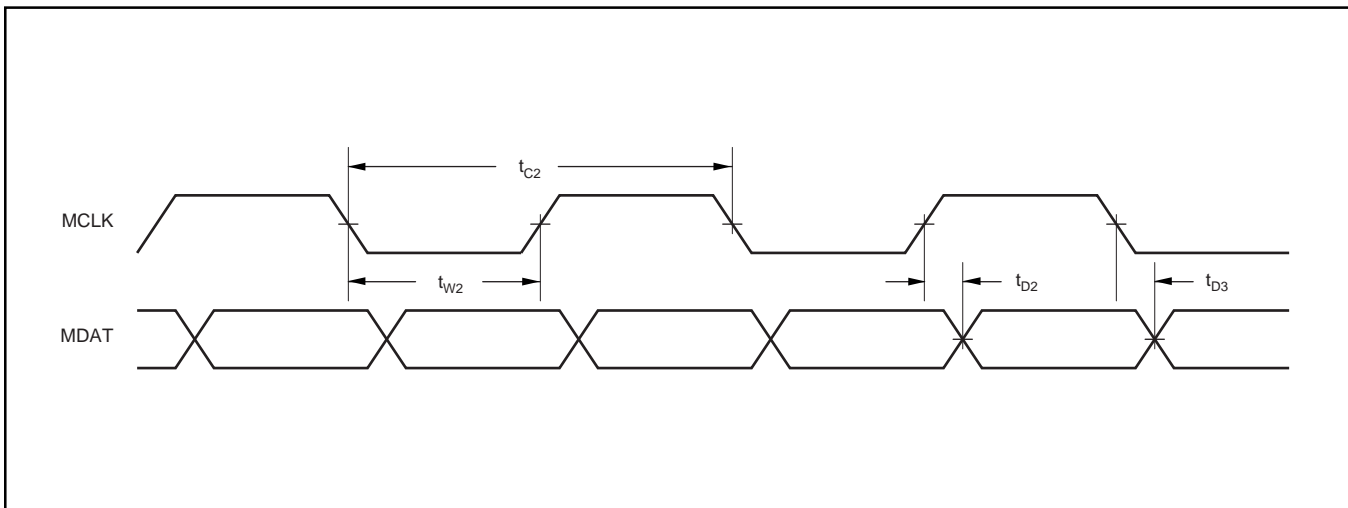


DIAGRAM 2: Mode 1 Operation.

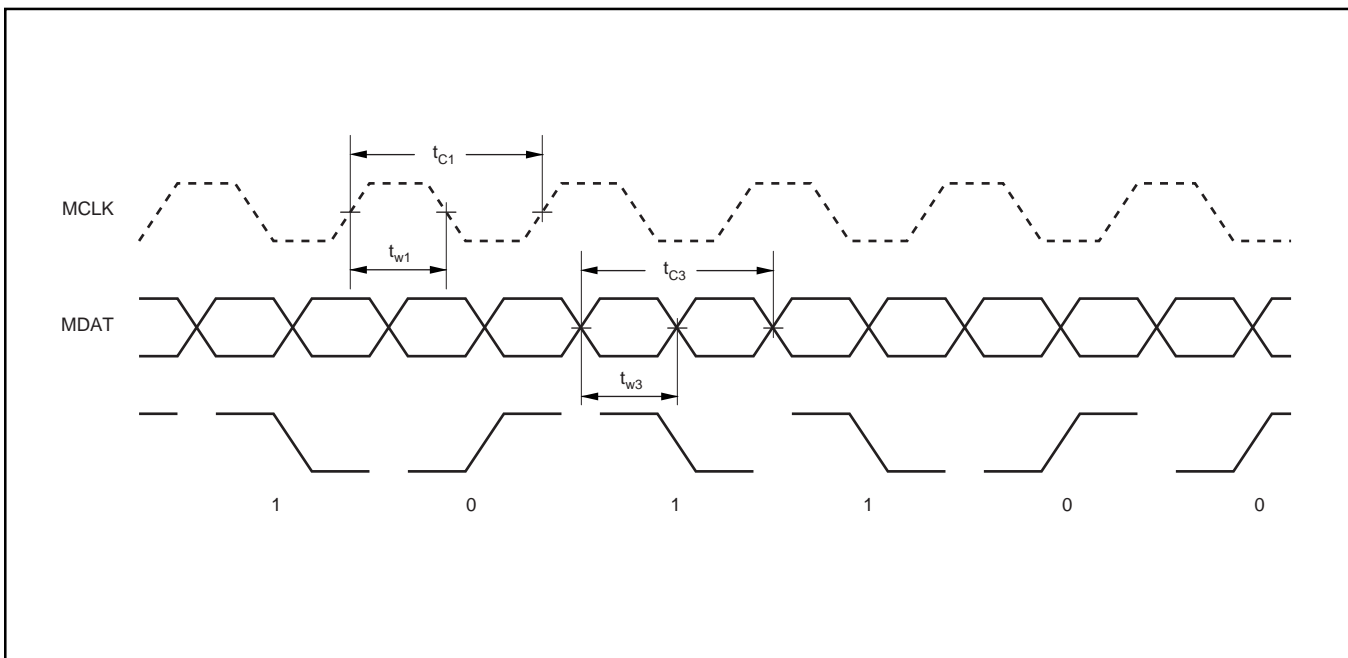


DIAGRAM 3: Mode 2 Operation.

## TIMING DIAGRAMS (Cont.)

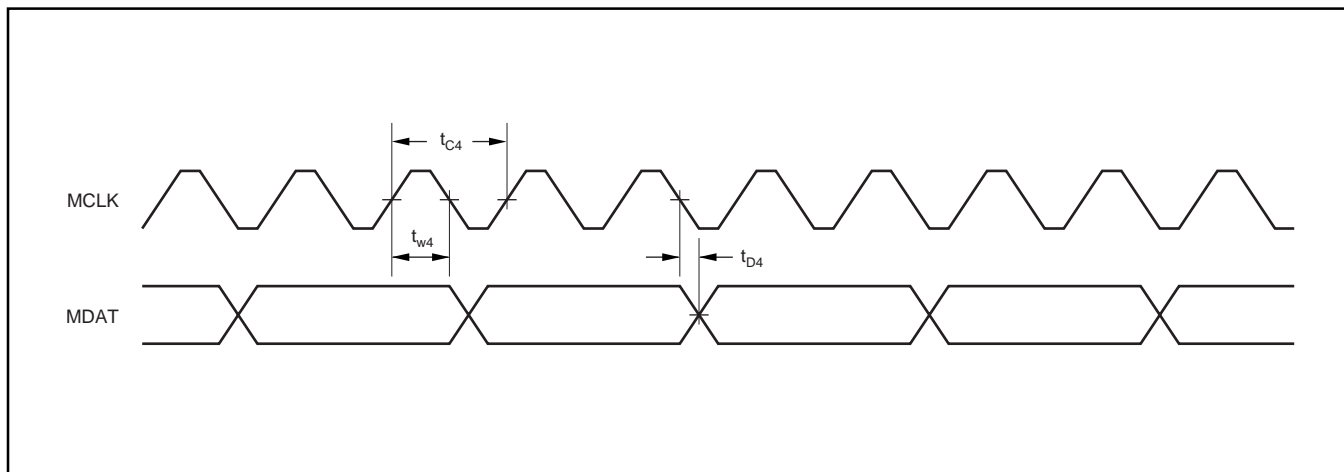


DIAGRAM 4: Mode 3 Operation.

## TIMING CHARACTERISTICS

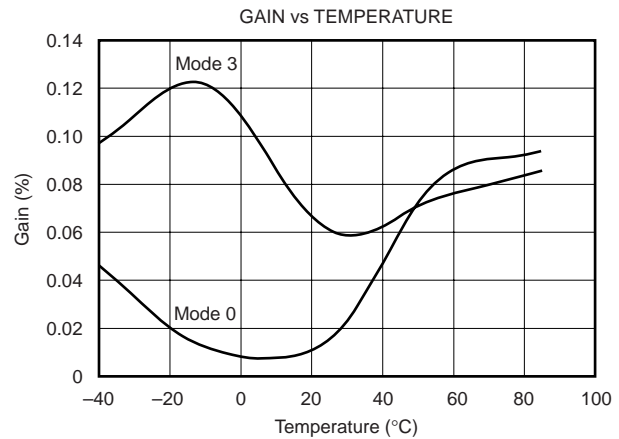
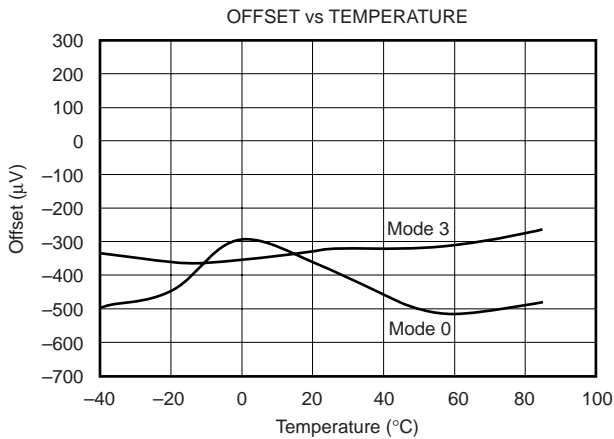
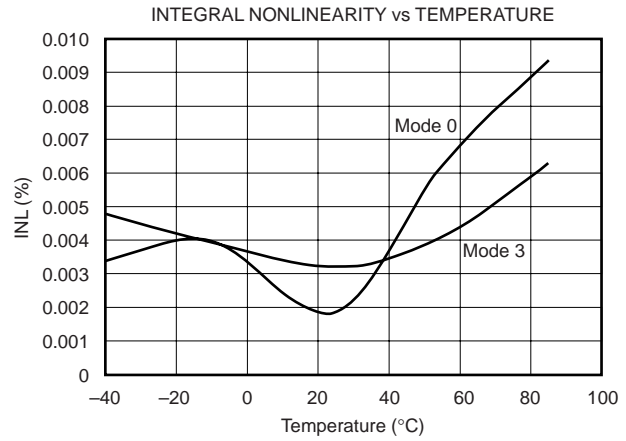
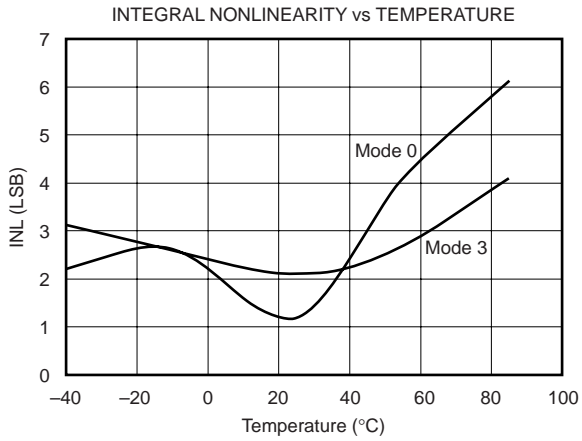
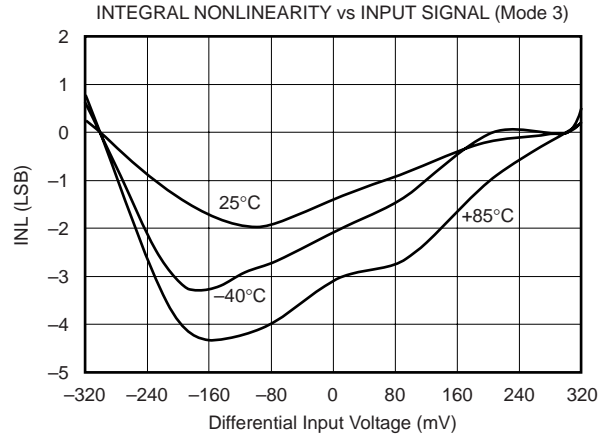
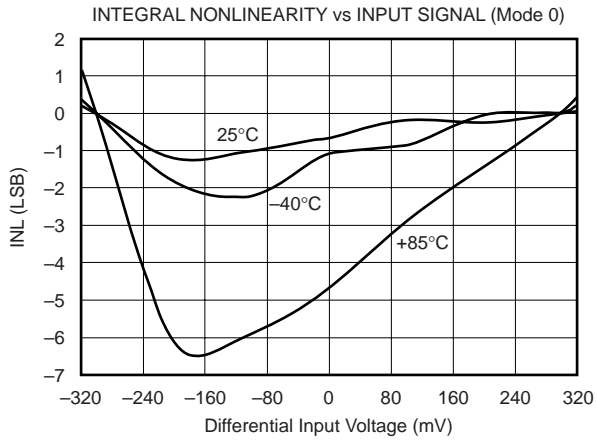
over recommended operating free-air temperature range  $-40^{\circ}\text{C}$  to  $+85^{\circ}\text{C}$ ,  $V_{DD} = 5\text{V}$ , and  $\text{MCLK} = 10\text{MHz}$ , unless otherwise noted.

| SPEC     | DESCRIPTION                            | MODE | MIN             | MAX             | UNITS |
|----------|--|------|-----------------|-----------------|-------|
| $t_{C1}$ | Clock Period                           | 0    | 90              | 110             | ns    |
| $t_{W1}$ | Clock HIGH Time                        | 0    | $t_{C1}/2 - 5$  | $t_{C1}/2 + 5$  | ns    |
| $t_{D1}$ | Data delay after rising edge of clock  | 0    | $t_{C1}/4 - 10$ | $t_{C1}/4 + 10$ | ns    |
| $t_{C2}$ | Clock Period                           | 1    | 180             | 220             | ns    |
| $t_{W2}$ | Clock HIGH Time                        | 1    | $t_{C2}/2 - 5$  | $t_{C2}/2 + 5$  | ns    |
| $t_{D2}$ | Data delay after rising edge of clock  | 1    | $t_{C2}/4 - 10$ | $t_{C2}/4 + 10$ | ns    |
| $t_{D3}$ | Data delay after falling edge of clock | 1    | $t_{C2}/4 - 10$ | $t_{C2}/4 + 10$ | ns    |
| $t_{C3}$ | Clock Period                           | 2    | 90              | 110             | ns    |
| $t_{W3}$ | Clock HIGH Time                        | 2    | $t_{C3}/2 - 5$  | $t_{C3}/2 + 5$  | ns    |
| $t_{C4}$ | Clock Period                           | 3    | 45              | 55              | ns    |
| $t_{W4}$ | Clock HIGH Time                        | 3    | 10              | $t_{C4} - 10$   | ns    |
| $t_{D4}$ | Data delay after falling edge of clock | 3    | 0               | 10              | ns    |
| $t_{R1}$ | Rise Time of Clock                     | 3    | 0               | 10              | ns    |
| $t_{F1}$ | Fall Time of Clock                     | 3    | 0               | 10              | ns    |

NOTE: All input signals are specified with  $t_R = t_F = 5\text{ns}$  (10% to 90% of  $V_{DD}$ ) and timed from a voltage level of  $(V_{IL} + V_{IH})/2$ . See timing diagrams 1 thru 4.

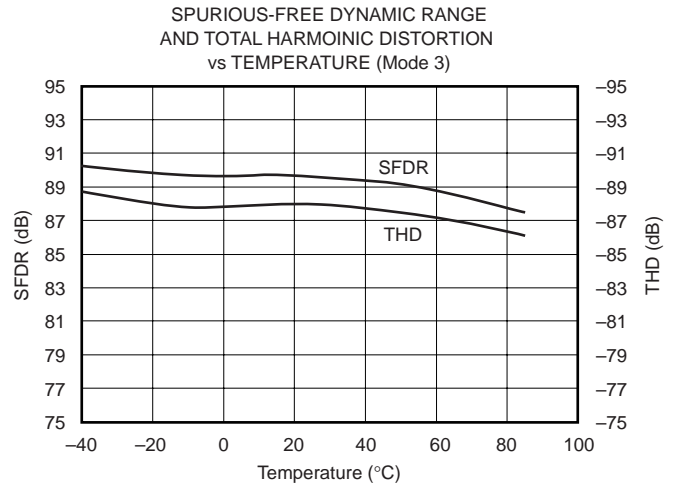
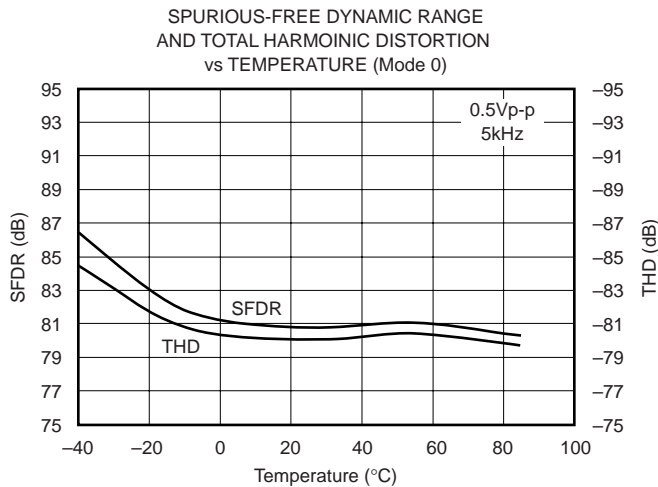
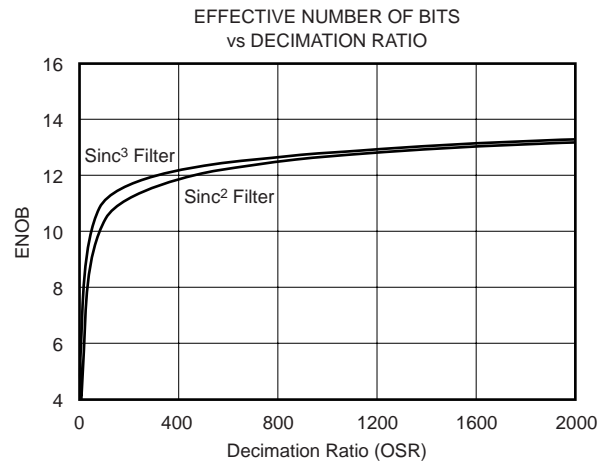
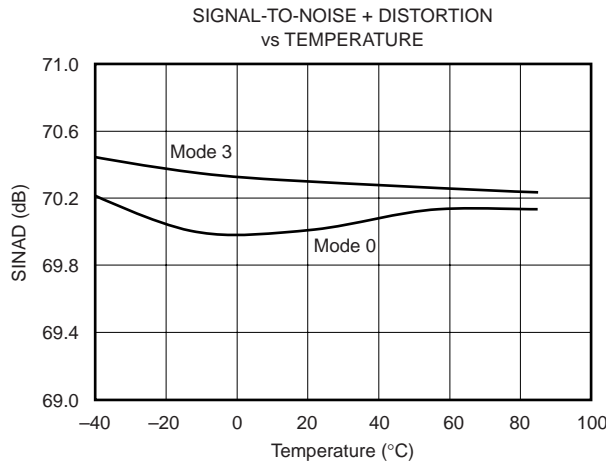
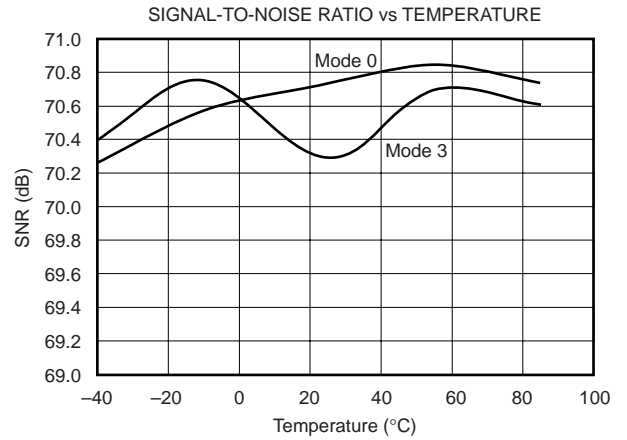
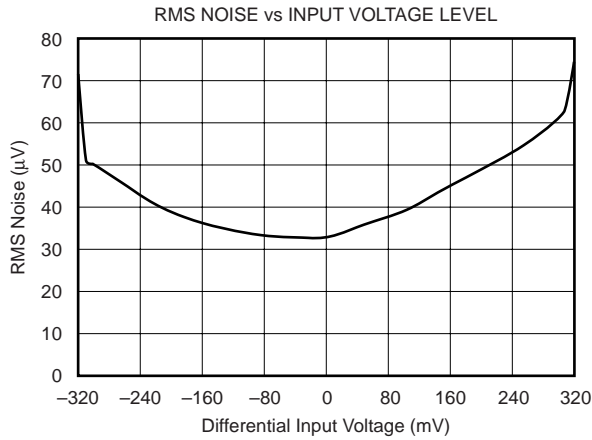
# TYPICAL CHARACTERISTICS

$V_{DD} = 5V$ ,  $+In = -250mV$  to  $250mV$ ,  $-In = 0V$ , and  $MCLK = 10MHz$ , unless otherwise noted.



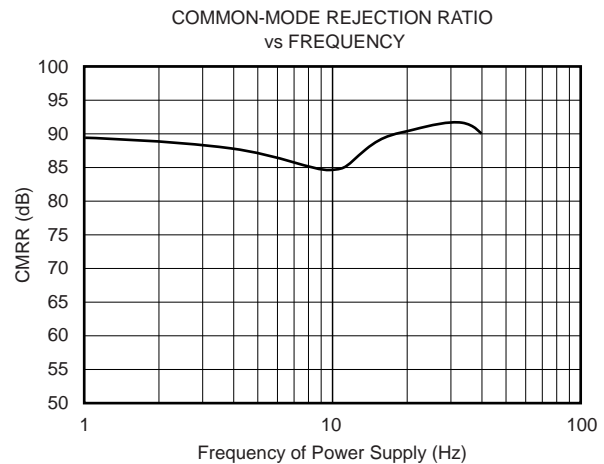
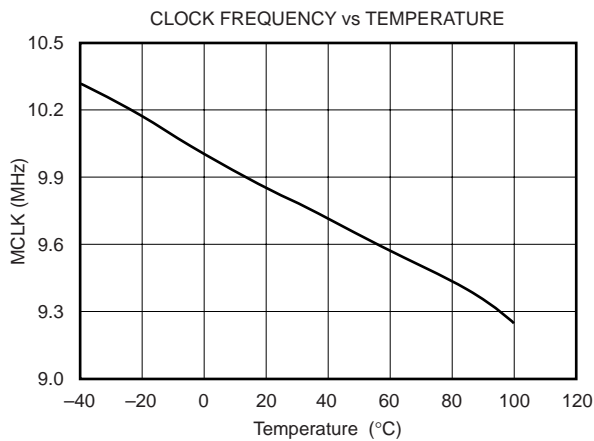
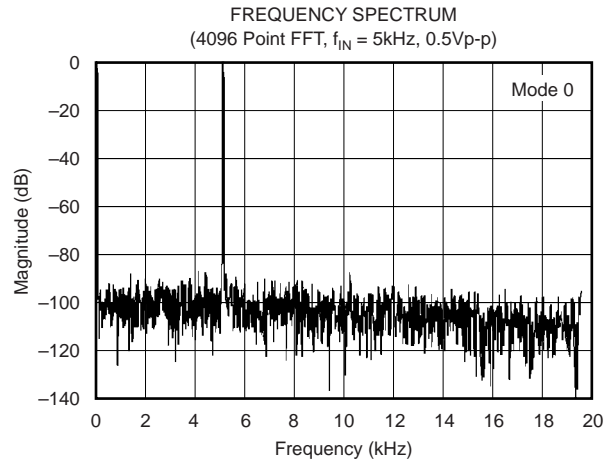
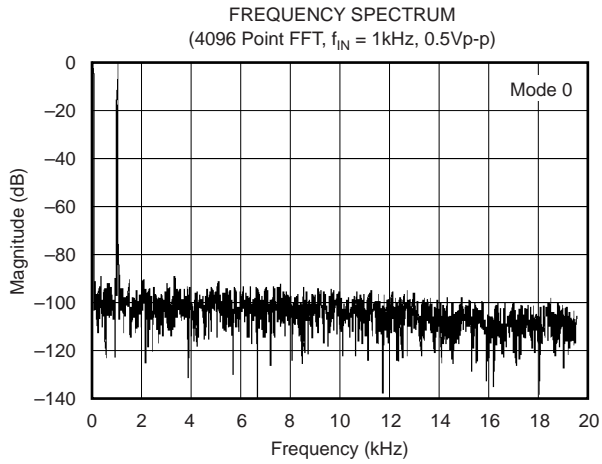
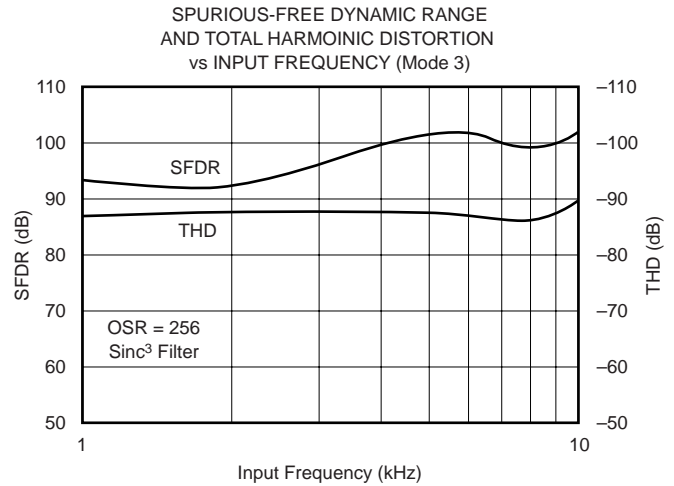
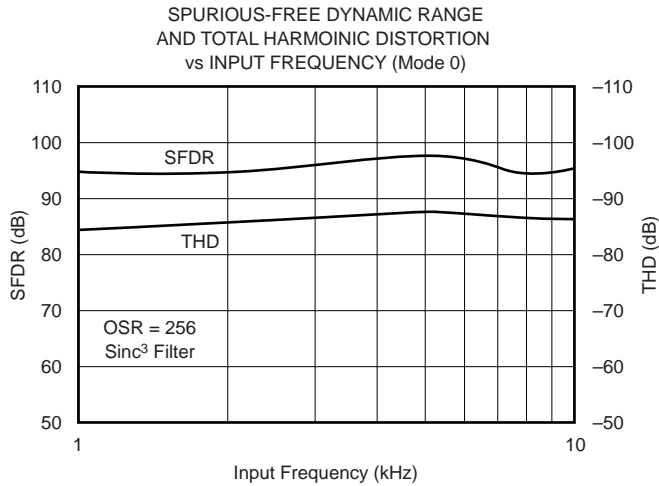
# TYPICAL CHARACTERISTICS (Cont.)

$V_{DD} = 5V$ ,  $+In = -250mV$  to  $250mV$ ,  $-In = 0V$ , and  $MCLK = 10MHz$ , unless otherwise noted.



# TYPICAL CHARACTERISTICS (Cont.)

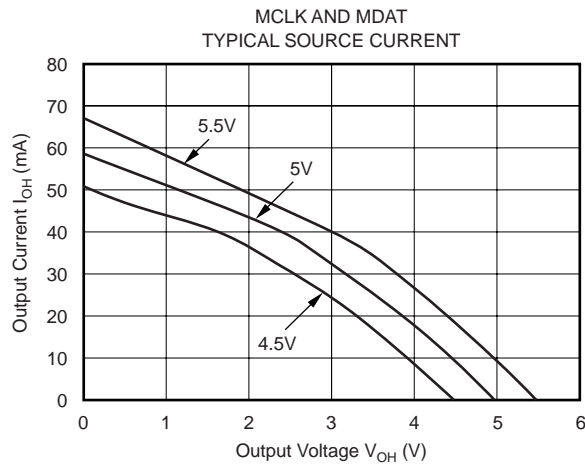
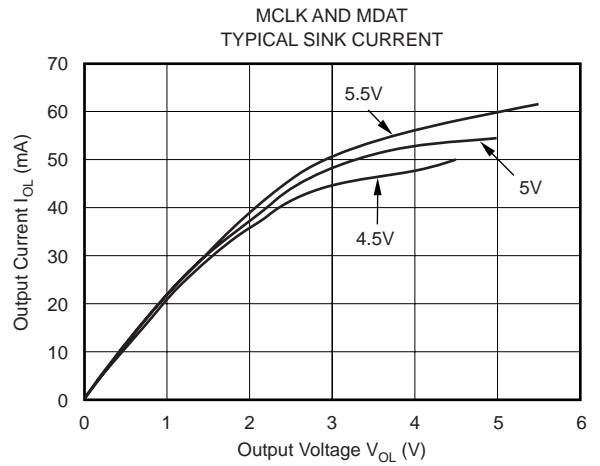
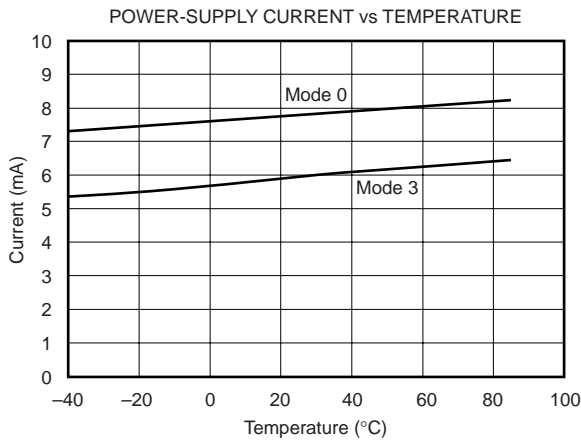
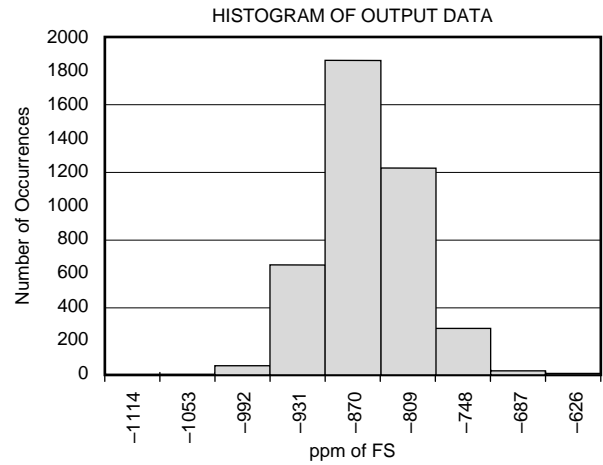
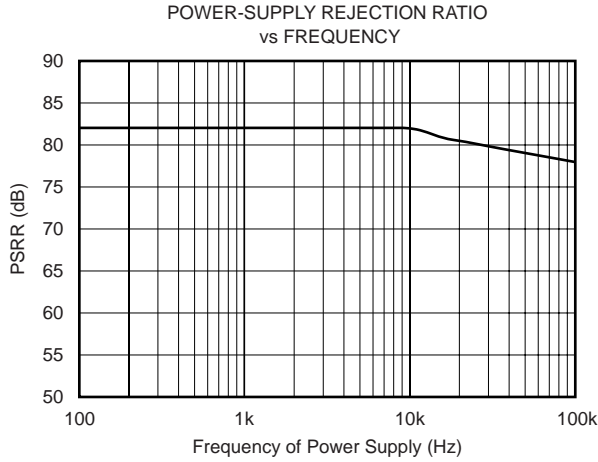
$V_{DD} = 5V$ ,  $+In = -250mV$  to  $250mV$ ,  $-In = 0V$ , and  $MCLK = 10MHz$ , unless otherwise noted.





# TYPICAL CHARACTERISTICS (Cont.)

$V_{DD} = 5V$ ,  $+In = -250mV$  to  $250mV$ ,  $-In = 0V$ , and  $MCLK = 10MHz$ , unless otherwise noted.



# GENERAL DESCRIPTION

The ADS1202 is a single-channel, 2nd-order, CMOS analog modulator designed for medium to high resolution conversions from DC to 39kHz with an oversampling ratio (OSR) of 256. The output of the converter (MDAT) provides a stream of digital ones and zeros. The time average of this serial output is proportional to the analog input voltage. The combination of an ADS1202 and a Digital Signal Processor (DSP) that is programmed to implement a digital filter results in a medium resolution A/D converter system. This system allows flexibility with the digital filter design and is capable of A/D conversion results that have a dynamic range that exceeds 85dB with OSR = 256.

# THEORY OF OPERATION

The differential analog input of the ADS1202 is implemented with a switched capacitor circuit. This switched capacitor circuit implements a 2nd-order modulator stage, which digitizes the input signal into a 1-bit output stream. The sample clock (MCLK) provides the switched capacitor network and modulator clock signal for the A/D conversion process, as well as the output data-framing clock. The clock source can be internal as well as external. Different frequencies for this clock allow for a variety of solutions and signal bandwidths (however, this can only be utilized in mode 3). The analog input signal is continuously sampled by the modulator and compared to an internal voltage reference. A digital stream, which accurately represents the analog input voltage over time, appears at the output of the converter.

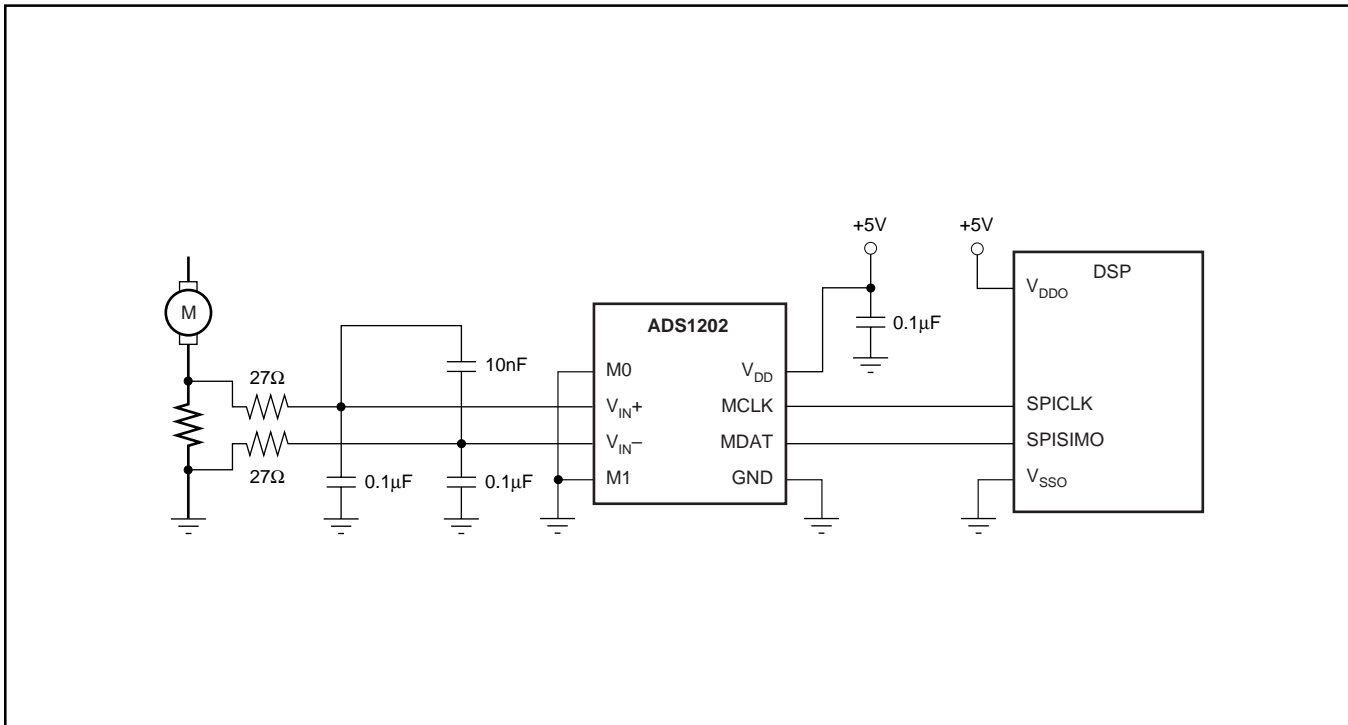


FIGURE 1. Connection Diagram for the ADS1202 Delta-Sigma Modulator Including DSP.

## ANALOG INPUT STAGE

### Analog Input

The input design topology of the ADS1202 is based on a fully differential switched-capacitor architecture. This input stage provides the mechanism to achieve low system noise, high common-mode rejection (90dB), and excellent power-supply rejection. The input impedance of the analog input is dependant on the input capacitor and modulator clock frequency (MCLK), which is also the sampling frequency of the modulator. Figure 2 shows the basic input structure of the ADS1202. The relationship between the input impedance of the ADS1202 and the modulator clock frequency is:

$$A_{IN}(\Omega) = \frac{10^{12}}{7 \cdot f_{MCLK}(\text{MHz})} \quad (1)$$

The input impedance becomes a consideration in designs where the source impedance of the input signal is HIGH. In this case, it is possible for a portion of the signal to be lost across this external source impedance. The importance of this effect depends on the desired system performance. There are two restrictions on the analog input signal to the ADS1202. Under no conditions should the current into or out of the analog inputs exceed 10mA. The absolute input voltage range must stay in the range GND – 0.4V to V<sub>DD</sub> + 0.3V. If either of the inputs exceed these limits, the input protection diodes on the front end of the converter will begin to turn on. In addition,

the linearity of the device is ensured only when the analog voltage applied to either input resides within the range defined by –320mV and +320mV.

### Modulator

The modulator sampling frequency (CLK) can be operated over a range of a few MHz to 12MHz in mode 3. The frequency of MCLK can be decreased to adjust for the clock requirements of the application. The external MCLK must have double the modulator frequency.

The modulator topology is fundamentally a 2nd-order, charge-balancing A/D converter, as the one conceptualized in Figure 3. The analog input voltage and the output of the 1-bit Digital-to-Analog Converter (DAC) are differentiated, providing an analog voltage at X<sub>2</sub> and X<sub>3</sub>. The voltage at X<sub>2</sub> and X<sub>3</sub> are presented to their individual integrators. The output of these integrators progress in a negative or positive direction. When the value of the signal at X<sub>4</sub> equals the comparator reference voltage, the output of the comparator switches from negative to positive, or positive to negative, depending on its original state. When the output value of the comparator switches from HIGH to LOW or vice versa, the 1-bit DAC responds on the next clock pulse by changing its analog output voltage at X<sub>6</sub>, causing the integrators to progress in the opposite direction. The feedback of the modulator to the front end of the integrators forces the value of the integrator output to track the average of the input.

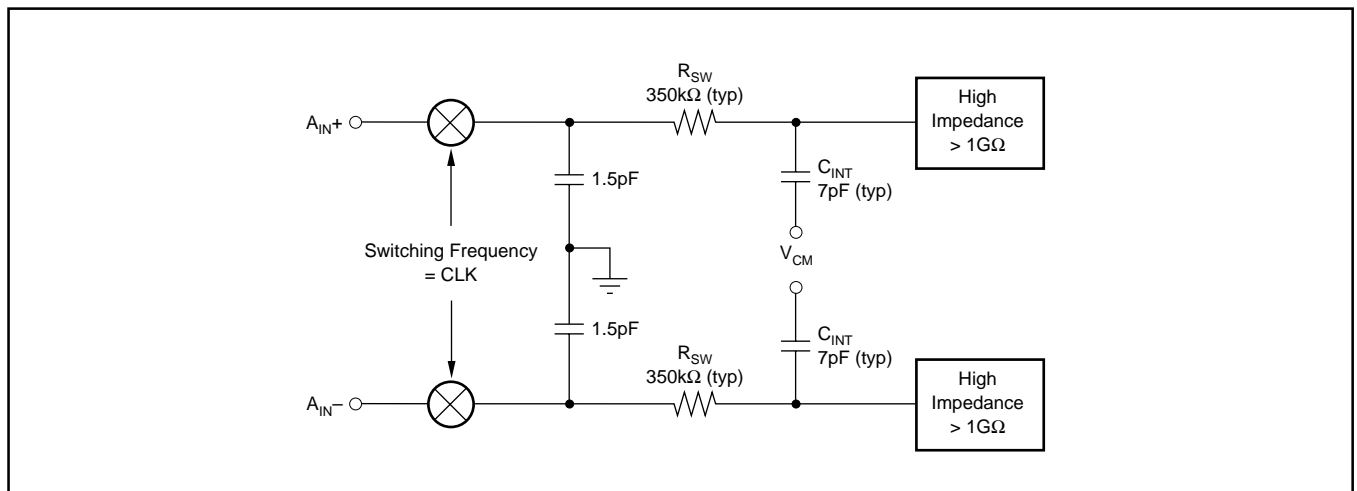


FIGURE 2. Input Impedance of the ADS1202.

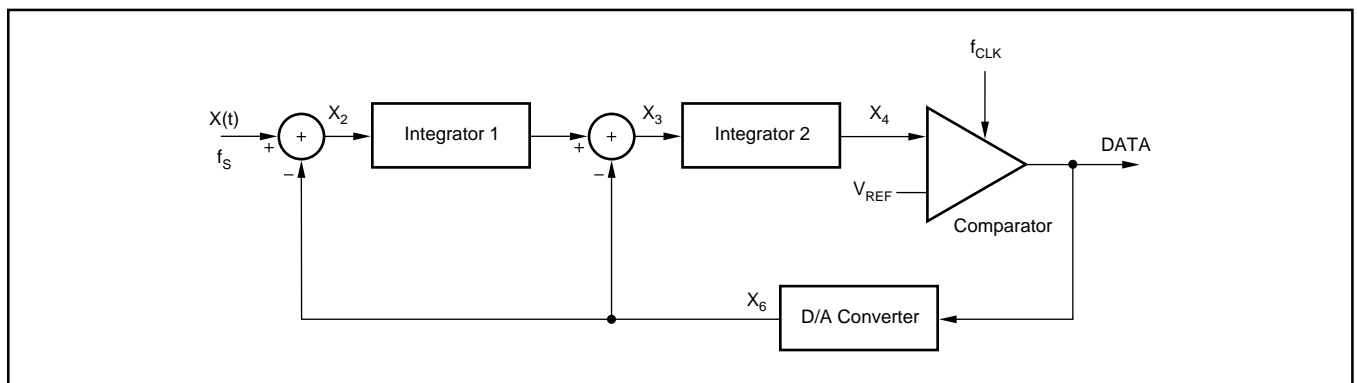


FIGURE 3. Block Diagram of the 2nd-Order Modulator.

## DIGITAL OUTPUT

The timing diagram for the ADS1202 data retrieval is shown in the Timing Diagrams. When an external clock is applied to MCLK, it is used as a system clock by the ADS1202, as well as a framing clock for data out (this procedure, however, can only be utilized in mode 3). The modulator output data, which is a serial stream, is available on the MDAT pin. Typically, MDAT is read on the falling edge of MCLK.

An input differential signal of 0V will ideally produce a stream of ones and zeros that are HIGH 50% of the time and LOW 50% of the time. A differential input of 256mV will produce a stream of ones and zeros that are HIGH 80% of the time. A differential input of -256mV will produce a stream of ones and zeros that are HIGH 20% of the time. The input voltage versus the output modulator signal is shown in Figure 4.

## DIGITAL INTERFACE

### INTRODUCTION

The analog signal that is connected to the input of the delta-sigma modulator is converted using the clock signal (CLK) applied to the modulator. The result of the conversion, or modulation, is the output signal DATA from the delta-sigma modulator.

In most applications where direct connection is realized between delta-sigma modulator and DSP or uC, two standard signals are provided. The MDAT and MCLK signals provide the easiest means of connection. If it is required to reduce the number of connection lines, having two signals is sometimes not an optimal solution.

The receiver, DSP, or other control circuit must sample the output data signal from the modulator at the precise sampling instant. To do this, sampling a clock signal at the receiver is needed in order to synchronize with the clock signal at the transmitter. The delta-sigma modulator clock signal, receiver, filter, and clock must be synchronized. Three general meth-

ods can be used to obtain this synchronization. The first method has the delta-sigma modulator and the filter receive the clock signal from the master clock. The second method has the delta-sigma modulator transmit the clock signal together with the data signal. The third method has the filter derivate the clock signal from the received waveform itself.

An ideal solution is a delta-sigma modulator with a flexible interface, such as the ADS1202, which can provide flexible output format on the output lines MCLK and MDAT, thus covering different modes of operation. The signal type that can be provided is selected with control signals M0 and M1.

### FLEXIBLE DELTA-SIGMA INTERFACE

Figure 5 illustrates the flexible interface of the ADS1202 delta-sigma converter. The control signals M0 and M1 are entered in the decoder that decodes the input code and selects the desired mode of operation. Five output signals from the decoder control the RC oscillator, multiplexer MUX1, multiplexer MUX2, multiplexer MUX3, and multiplexer MUX4.

MUX1 is controlled by the decoder signal. When the internal RC oscillator is used, the control signal from the decoder enables the RC oscillator. At the same time, MUX1 uses the INTCLK signal as a source for the output signal from MUX1, which is entering the code generator. If the external clock is used, the control signal from the decoder disables the internal RC oscillator and the control signal from the decoder, and positions MUX1 so that EXTCLK provides the output signal from MUX1 as the input in the code generator.

MUX2 selects the output clock, OCLK. The control signal coming from the decoder controls the output clock. Two signals come from the code generator as a half clock frequency,  $CLK/2$ , and as a quarter clock frequency,  $CLK/4$ , and provide MUX2 with the input signal. The control signal will select two different output modes on the OCLK signal as half clock or quarter clock.

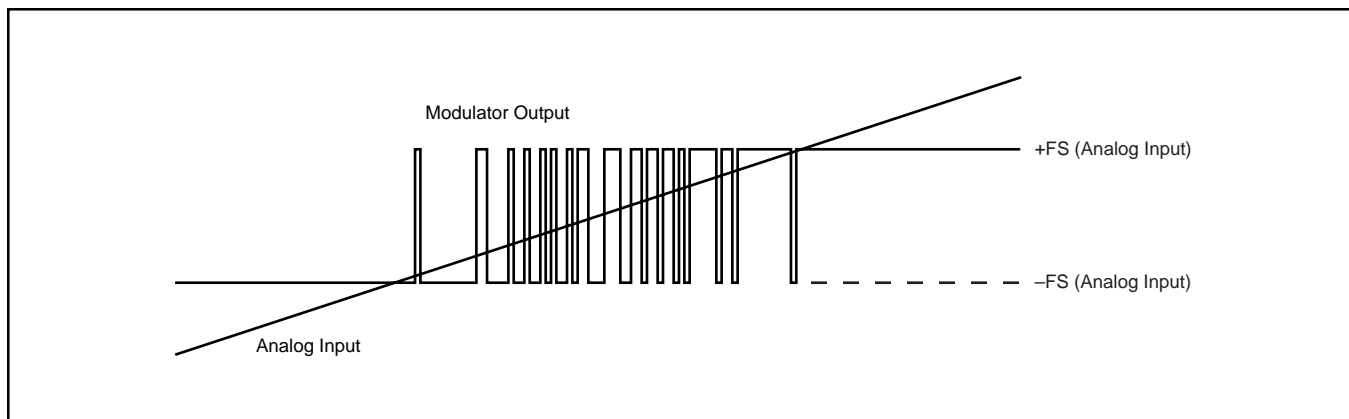


FIGURE 4. Analog Input Versus Modulator Output of the ADS1201.

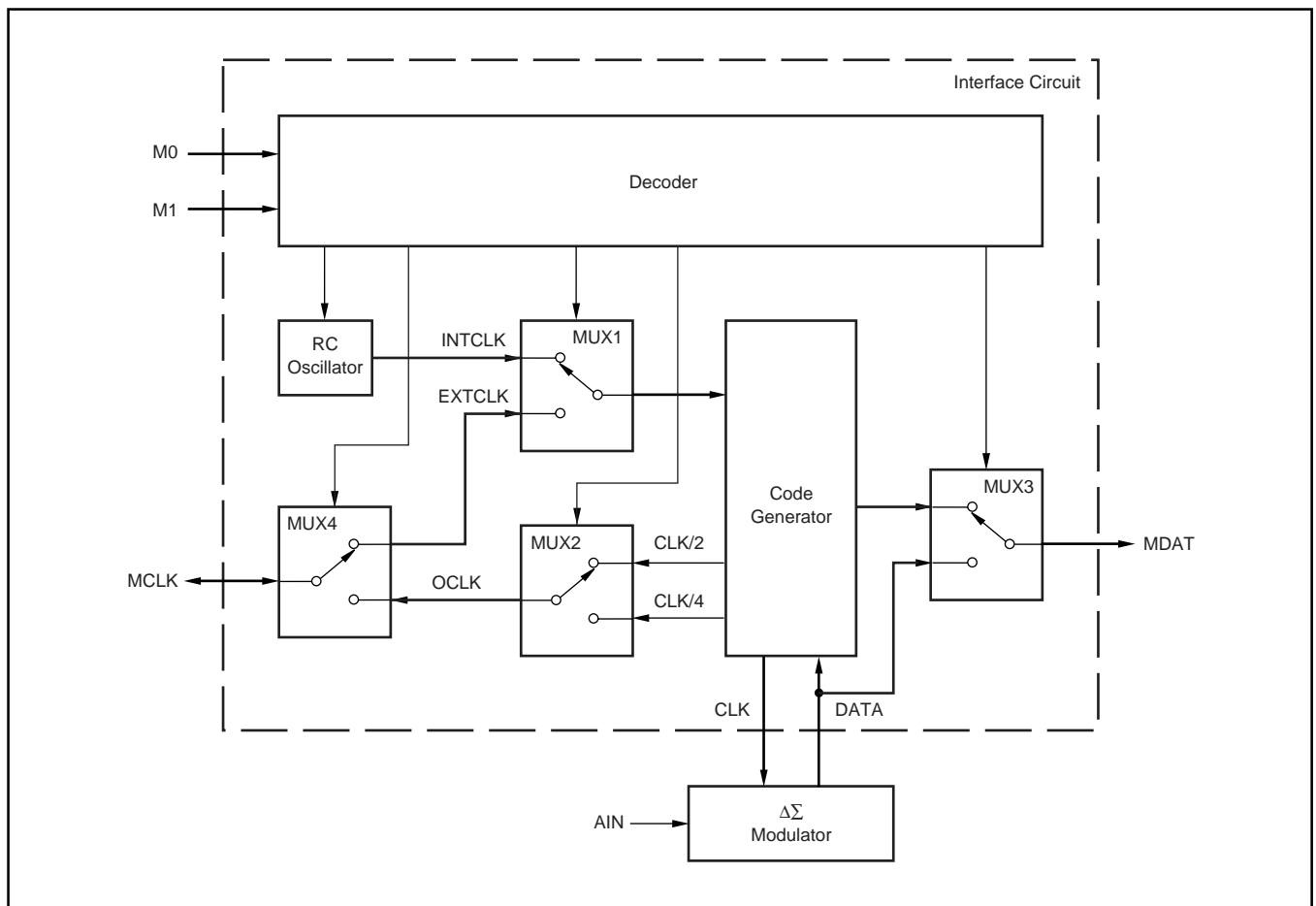


FIGURE 5. Flexible Interface Block Diagram.

The code generator receives the clock signal from MUX1 and generates the delta-sigma modulator clock (CLK) divided as half clock (CLK/2) and quarter clock (CLK/4). At the same time, the continuous data stream (DATA) coming from the delta-sigma modulator is elaborated by the Code Generator. Twinned binary coding (also known as split phase or Manchester coding) is implemented and then output from the code generator to MUX3.

MUX3 selects the source of the output bit stream data, MDAT. The control signal coming from the decoder controls the input source of MDAT. Two signals are coming in to the MUX3, one directly from the delta-sigma modulator and the other from the code generator. The control signal from the decoder can select two different output modes on the signal MDAT: bit stream from a delta-sigma modulator or twinned binary coding of the same signal.

The last control signal from the decoder controls MUX4. MUX2 selects the input or output clock, the MCLK signal. The control signal coming from the decoder controls the direction of the clock. One signal entering MUX4 from MUX2 comes as a clock signal OCLK. Another signal leaves MUX4 and provides an input to MUX1 as an external clock, EXTCLK.

The control signal from the decoder can select two different modes on MCLK, one as an output of the internal clock signal and another as the input for the external clock signal.

As a function of two control signals (M0 and M1), the decoder circuit, using five control signals, will set multiplexers in order to obtain the desired mode of operation.

### DIFFERENT MODES OF OPERATION

Figure 5 presents mode selectors (input signals M0 and M1) that enter the flexible interface circuit and decoder that decodes the input code, and select the desired mode of operation. With two control lines it is possible to select four different modes of operation mode 0, mode 1, mode 2, and mode 3, which are shown in Table I.

| MODE | DEFINITION   | M1   | M0   |
|------|--|------|------|
| 0    | Internal Clock, Synchronous Data Output                              | LOW  | LOW  |
| 1    | Internal Clock, Synchronous Data Output, Half Output Clock Frequency | LOW  | HIGH |
| 2    | Internal Clock, Manchester Coded Data Output                         | HIGH | LOW  |
| 3    | External Clock, Synchronous Data Output                              | HIGH | HIGH |

TABLE I. Mode Definition and Description.

### Mode 0

In mode 0 both input signals, M0 and M1, are LOW. The control signal coming from the decoder enables the internal RC oscillator that provides the clock signal INTCLK as an input to MUX1. The control signal coming from the decoder also positions MUX1 so that the output signal, which is an input signal for the code generator, is INTCLK. Another control signal from the decoder circuit positions MUX3 so that the source for the output signal MDAT is the signal arriving directly from the delta-sigma modulator, DATA. MUX2 is positioned for the mode controlled by the signal coming from the decoder so output signal OCLK is CLK/2. The signal timings for mode 0 operation are presented in Figure 6. In this mode, DSP or  $\mu$ C read MDAT data on every rising edge of the MCLK output clock.

### Mode 1

In mode 1, the input signal M0 is HIGH and M1 is LOW (see Table I). The first control signal coming from the decoder enables the internal RC oscillator that provides clock signal INTCLK as an input to MUX1. The second control signal coming from the decoder positions MUX1 so that the output signal that is the input signal to the code generator is INTCLK. The output signal from the delta-sigma modulator, DATA, is also the MDAT signal coming from the modulator because the control signal from the decoder positions MUX3 for that operation. MUX2 is positioned for the mode controlled by the control signal coming from the decoder with an OCLK of CLK/2. Output clock signal MCLK comes through MUX4 from MUX2 as OCLK or CLK/2. The signal timings for mode 1 operation are presented in Figure 7. In this mode, DSP or  $\mu$ C read data on every edge, rising and falling, of the output clock.

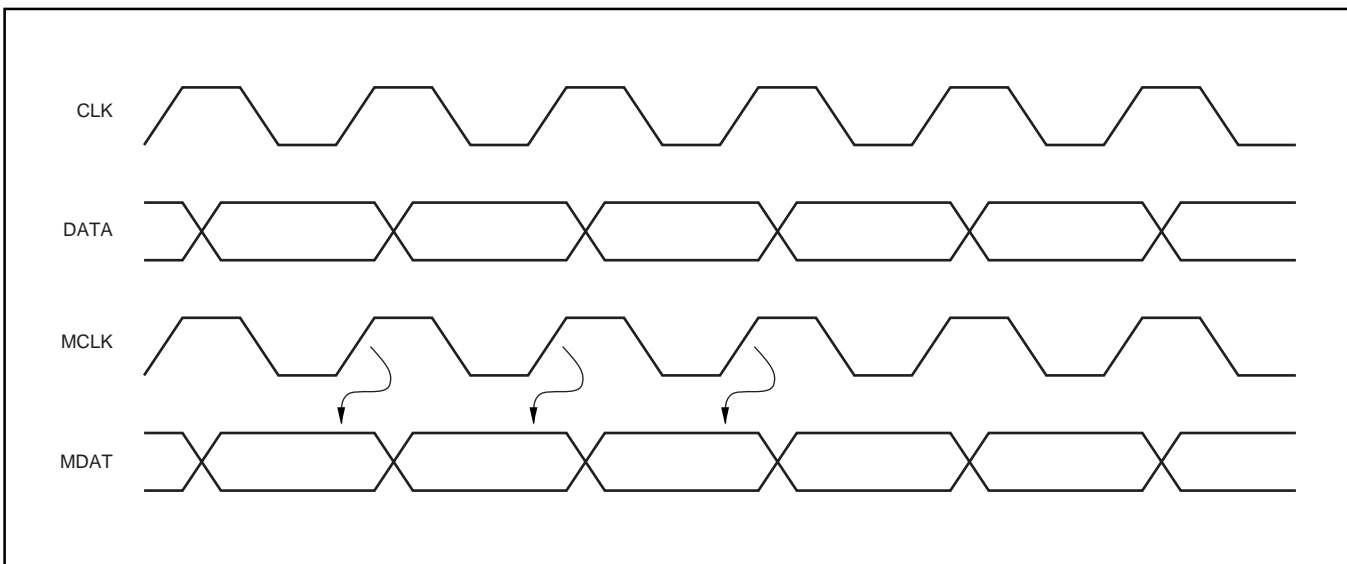


FIGURE 6. Signal Timing in Mode 0.

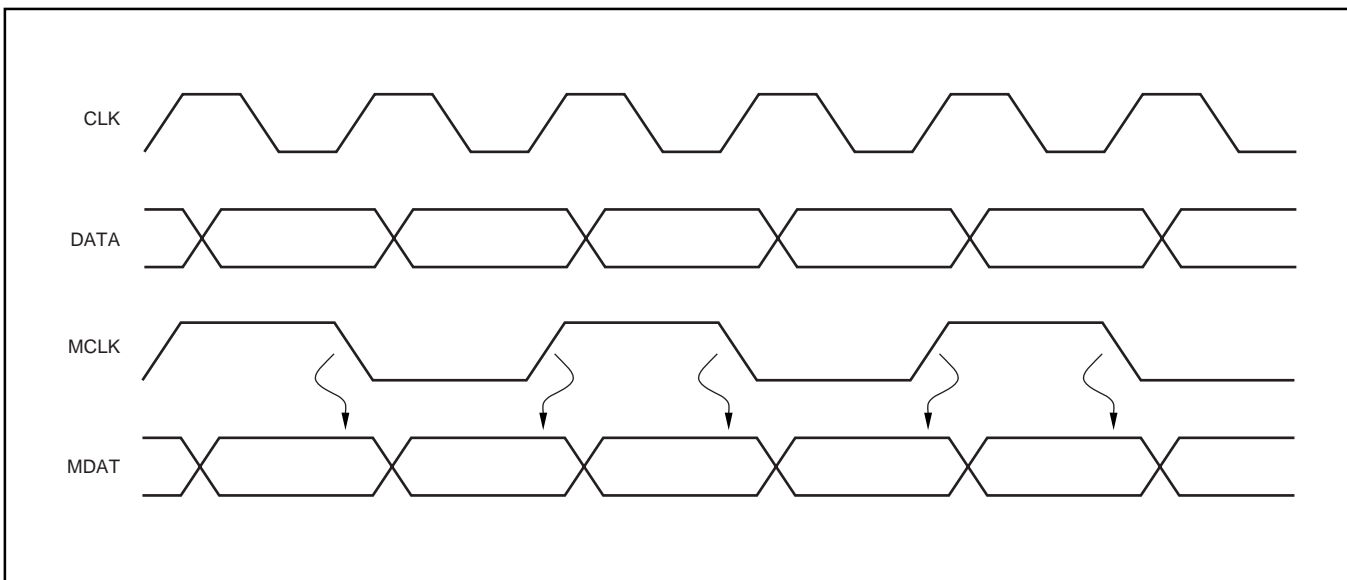


FIGURE 7. Signal Timing in Mode 1.

## Mode 2

In mode 2, M0 is low and M1 is HIGH (see Table I). The control signal coming from the decoder enables the internal RC oscillator that provides the clock signal INTCLK as an input to MUX1. Another control signal coming from the decoder positions MUX1 so that the output signal that is the input signal to the code generator is INTCLK. The output signal MDAT comes from the code generator because the control signal from the decoder positions MUX3 for that operation. The DATA signal coming from the delta-sigma modulator enters the code generator, where it combines with the clock signal, and twinned binary coding is implemented as split phase or Manchester coding, providing the output signal for MUX3. The MCLK output clock is not active, as multiplexers MUX2 and MUX4 are positioned for this mode controlled by the control signals coming from the decoder. The signals timings for mode 2 operation are presented in Figure 8. In this mode, DSP or  $\mu\text{C}$  need to derive the clock signal from the received waveform itself. Different clock recovery networks can be implemented.

## Mode 3

mode 3 is similar to mode 0; the only difference is that an external clock (EXTCLK) is provided. In mode 3, both input signals M0 and M1 are HIGH (see Table I). The control signal coming from the decoder disables the internal RC oscillator. The input signal EXTCLK provides the clock signal as an input to MUX1. The control signal coming from the decoder positions MUX1 so that the output signal that is the input signal to the code generator is EXTCLK. The output signal MDAT is the DATA signal coming directly from the delta-sigma modulator because the control signal from the decoder positions MUX3 for that operation. The signal timings for mode 3 operation are presented in Figure 9. In this mode, DSP or  $\mu\text{C}$  read data on every falling edge of the input clock.

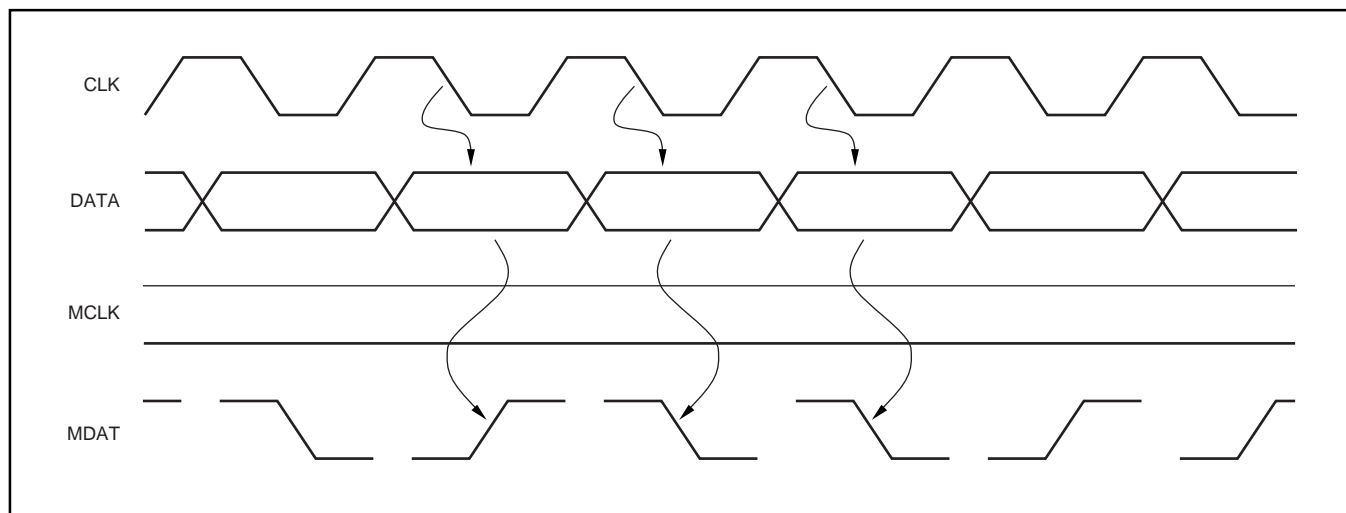


FIGURE 8. Signal Timing in Mode 2.

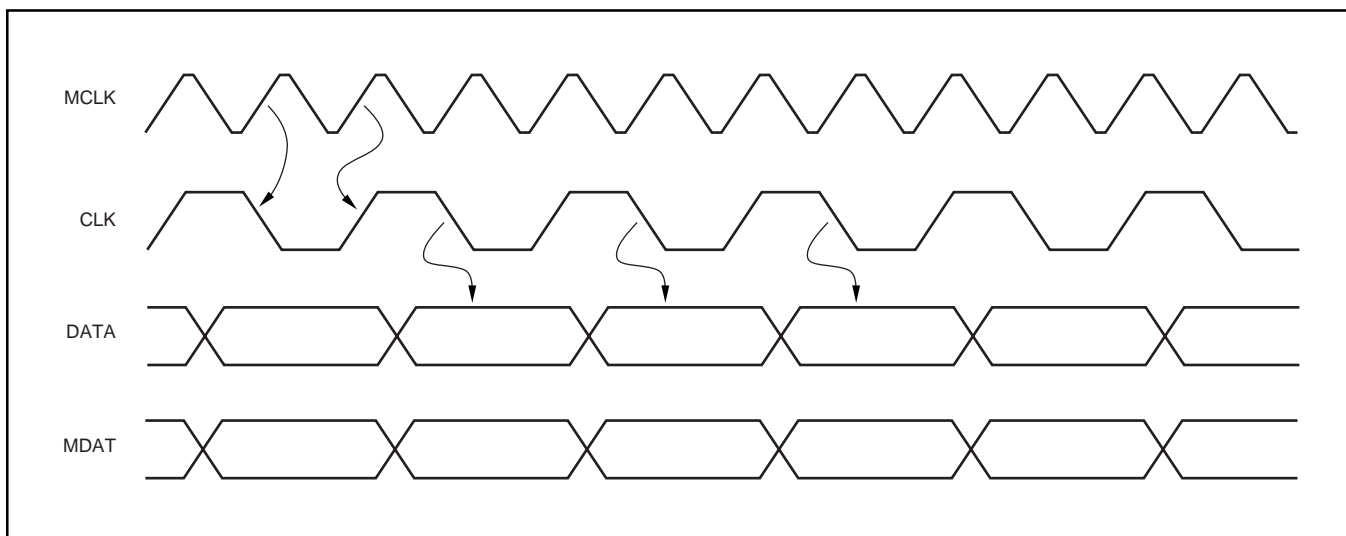


FIGURE 9. Signal Timing in Mode 3.

# APPLICATIONS

Mode 0 operation in a typical application is shown in Figure 10. Measurement of the motor phase current is done via the shunt resistor. For better performance, both signals are filtered.  $R_2$  and  $C_2$  filter noise on the noninverting input signal,  $R_3$  and  $C_3$  filter noise on the inverting input signal, and  $C_4$  in combination with  $R_2$  and  $R_3$  filter the common-mode input noise. In this configuration, the shunt resistor is connected via three wires with the ADS1202.

The power supply is taken from the upper gate driver power supply. A decoupling capacitor of  $0.1\mu\text{F}$  is recommended for filtering the power supply. If better filtering is required, an additional  $1\mu\text{F}$  to  $10\mu\text{F}$  capacitor can be added.

The control lines M0 and M1 are both LOW while the part is operating in mode 0. Two output signals, MCLK and MDAT, are connected directly to the optocoupler. The optocoupler can be connected to transfer a direct or inverse signal because the output stage has the capacity to source and sink the same current. The discharge resistor is not needed in parallel with optocoupler diodes because the output driver has the capacity to keep the LED diode out of the charge.

The DSP can be directly connected at the output of two channels of the optocoupler, C28x or C24x. In this configuration, the signals arriving at C28x or C24x are standard delta-sigma modulator signals and are connected directly to the SPICLK and SPISIMO pins. Being a delta-sigma converter, there is no need to have word synch on the serial data, so SPI is ideal for connection. McBSP would work as well in SPI mode.

When component reduction is necessary, the ADS1202 can operate in mode 2, as shown in Figure 11. M1 is HIGH and M0 is LOW. Only the noninverting input signal is filtered.  $R_2$  and  $C_2$  filter noise on the input signal. The inverting input is directly connected to the GND pin, which is simultaneously connected to the shunt resistor.

The output signal from the ADS1202 is Manchester coded. In this case, only one signal is transmitted. For that reason, one optocoupler channel is used instead of two channels, as in the previous example of Figure 10. Another advantage of this configuration is that the DSP will use only one line per channel instead of two. That permits the use of smaller DSP packages in the application.

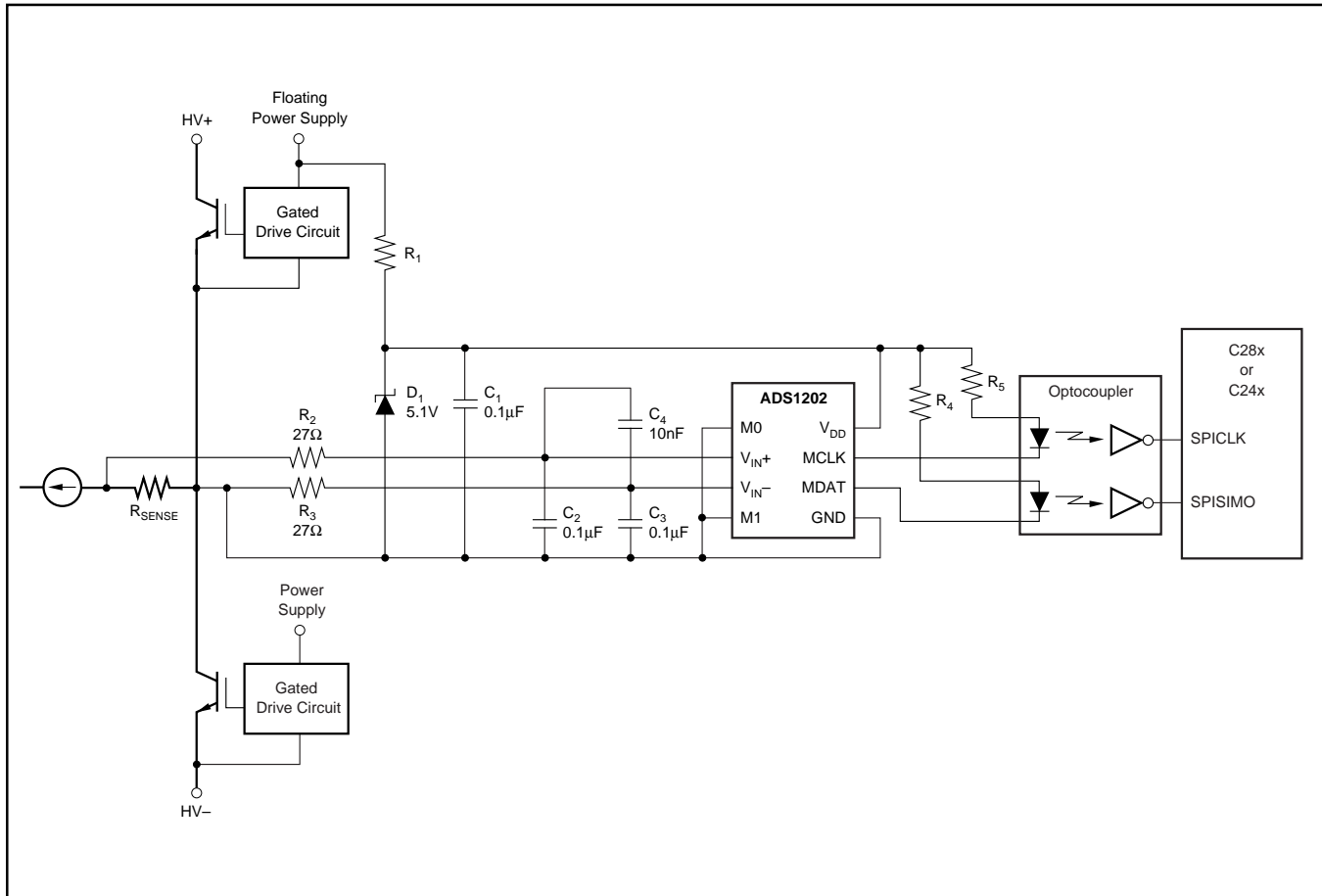


FIGURE 10. Application Diagram in Mode 0.



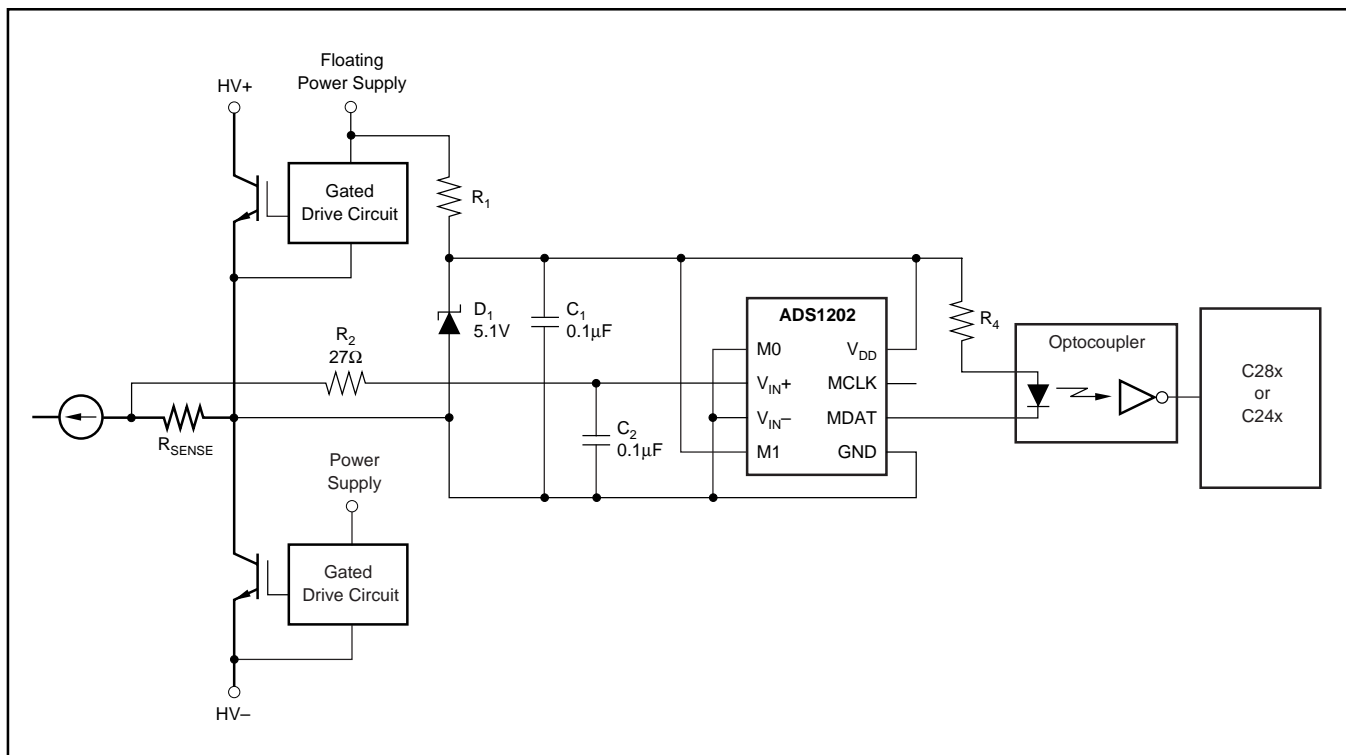


FIGURE 11. Application Diagram in Mode 2.

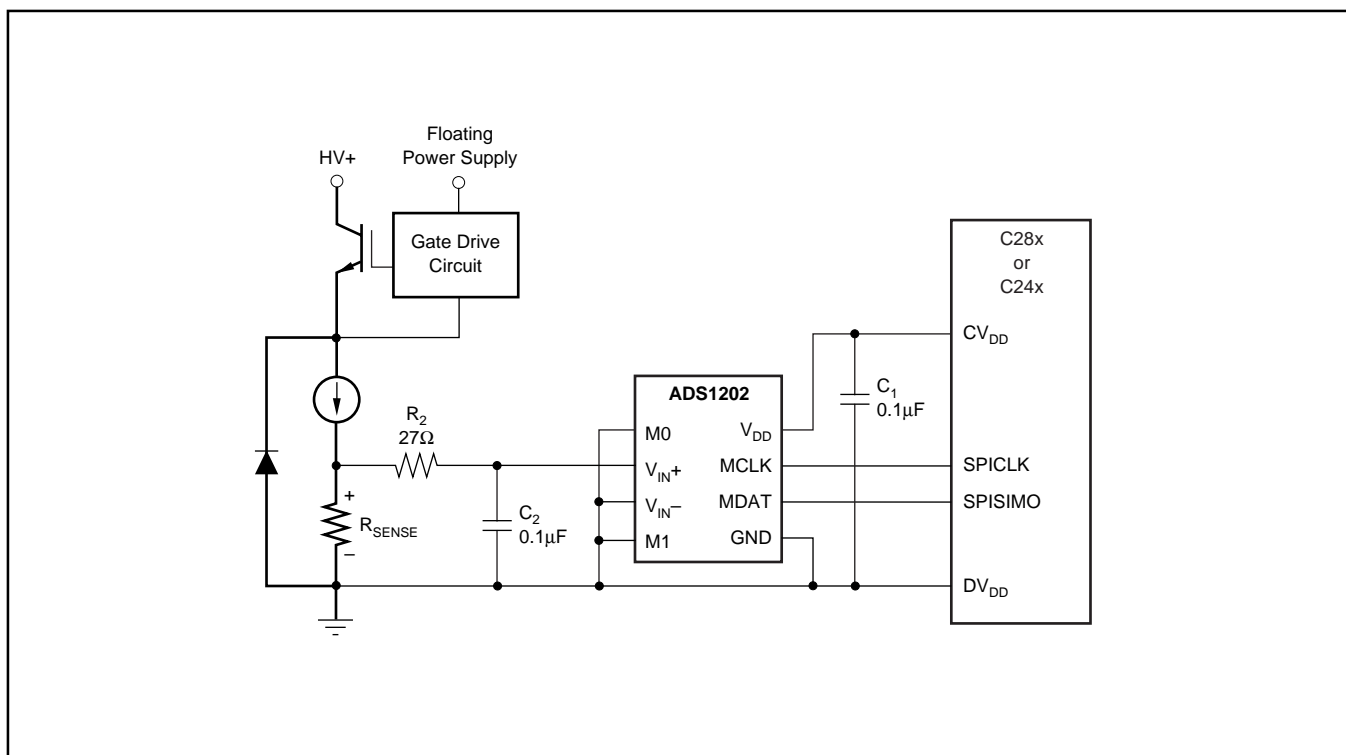


FIGURE 12. Application Diagram without Galvanical Isolation in Mode 0.

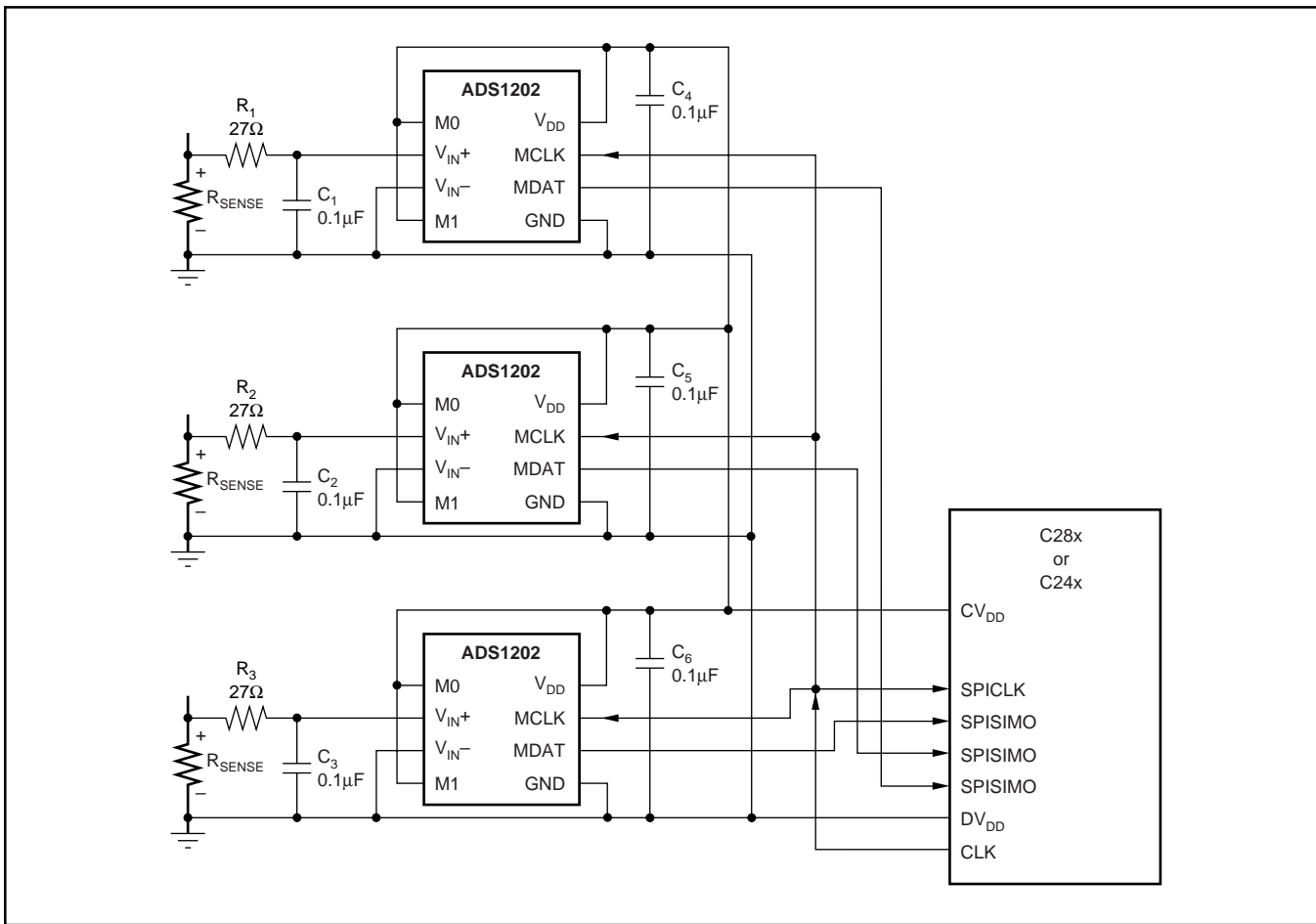


FIGURE 13. Parallel Operation of ADS1202 in Mode 3.

## LAYOUT CONSIDERATIONS

### POWER SUPPLIES

The ADS1202 requires only one power supply ( $V_{DD}$ ). If there are separate analog and digital power supplies on the board, a good design approach is to have the ADS1202 connected to the analog power supply. Another approach to control the noise is the use of a resistor on the power supply. The connection can be made between the ADS1202 power-supply pins via a  $10\Omega$  resistor. The combination of this resistor and the decoupling capacitors between the power-supply pins on the ADS1202 provide some filtering. The analog supply that is used must be well regulated and low noise. For designs requiring higher resolution from the ADS1202, power-supply rejection will be a concern. The digital power supply has high-frequency noise that can be capacitively coupled into the analog portion of the ADS1202. This noise can originate from switching power supplies, microprocessors, or digital signal processors. High-frequency noise will generally be rejected by the external digital filter at integer multiples of MCLK. Just below and above these frequencies, noise will alias back into the passband of the digital filter, affecting the conversion result. Inputs to the ADS1202, such as  $V_{IN+}$ ,  $V_{IN-}$ , and MCLK should not be present before the power supply is on. Violating this condition could cause latch-up. If these signals are present before the supply is on, series resistors should be used to limit the

input current. Experimentation may be the best way to determine the appropriate connection between the ADS1202 and different power supplies.

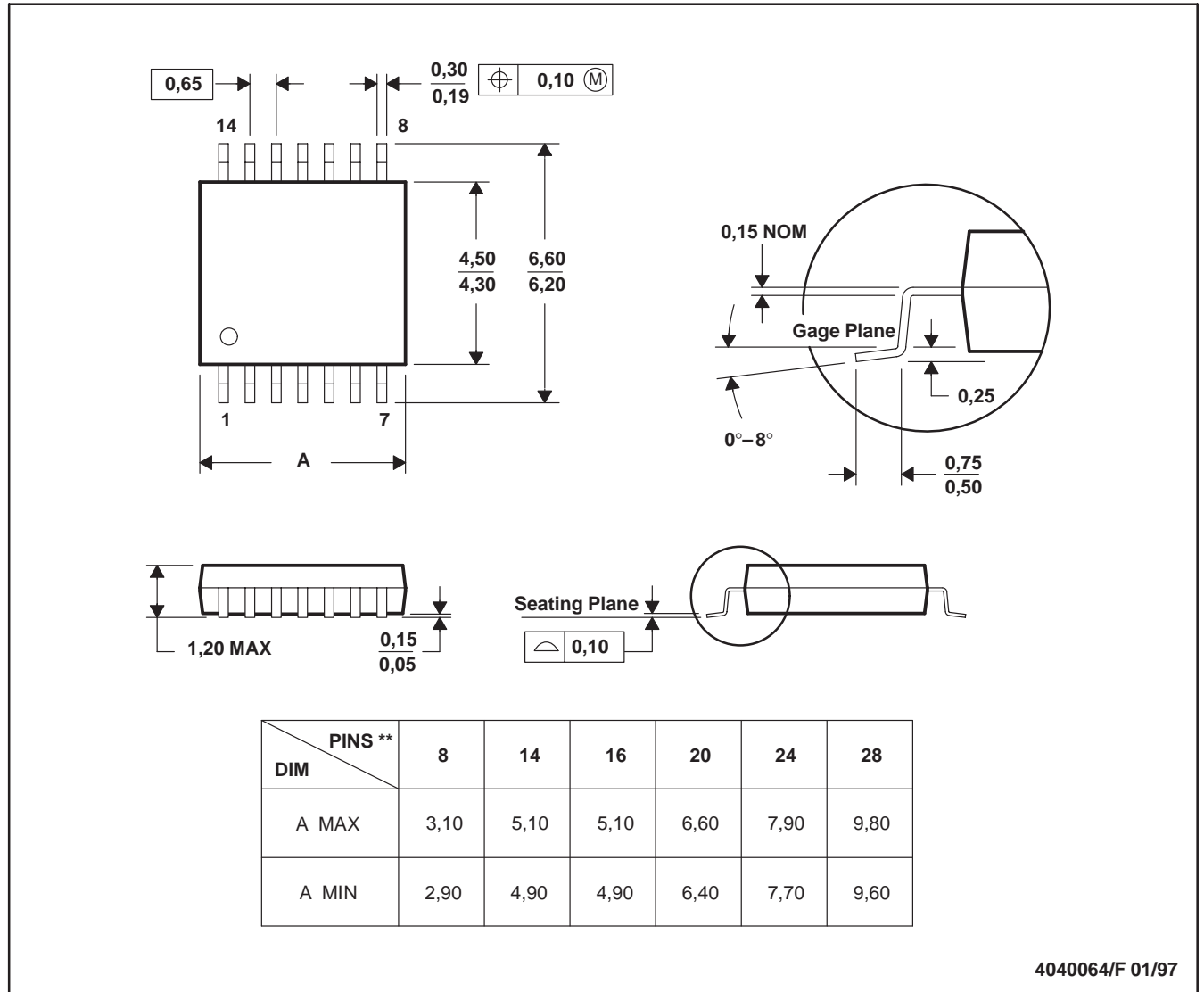
### GROUNDING

Analog and digital sections of the design must be carefully and cleanly partitioned. Each section should have its own ground plane with no overlap between them. Do not join the ground planes, but connect the two with a moderate signal trace underneath the converter. For multiple converters, connect the two ground planes as close as possible to one central location for all of the converters. In some cases, experimentation may be required to find the best point to connect the two planes together.

### DECOUPLING

Good decoupling practices must be used for the ADS1202 and for all components in the design. All decoupling capacitors, specifically the  $0.1\mu\text{F}$  ceramic capacitors, must be placed as close as possible to the pin being decoupled. A  $1\mu\text{F}$  and  $10\mu\text{F}$  capacitor, in parallel with the  $0.1\mu\text{F}$  ceramic capacitor, must be used to decouple  $V_{DD}$  to GND. At least one  $0.1\mu\text{F}$  ceramic capacitor must be used to decouple  $V_{DD}$  to GND, as well as for the digital supply on each digital component.

14 PINS SHOWN



4040064/F 01/97

- NOTES: A. All linear dimensions are in millimeters.  
 B. This drawing is subject to change without notice.  
 C. Body dimensions do not include mold flash or protrusion not to exceed 0,15.  
 D. Falls within JEDEC MO-153

PW (R-PDSO-G\*\*)

PLASTIC SMALL-OUTLINE PACKAGE

14 PINS SHOWN



4040064/F 01/97

- NOTES: A. All linear dimensions are in millimeters.  
 B. This drawing is subject to change without notice.  
 C. Body dimensions do not include mold flash or protrusion not to exceed 0,15.  
 D. Falls within JEDEC MO-153

## IMPORTANT NOTICE

Texas Instruments Incorporated and its subsidiaries (TI) reserve the right to make corrections, modifications, enhancements, improvements, and other changes to its products and services at any time and to discontinue any product or service without notice. Customers should obtain the latest relevant information before placing orders and should verify that such information is current and complete. All products are sold subject to TI's terms and conditions of sale supplied at the time of order acknowledgment.

TI warrants performance of its hardware products to the specifications applicable at the time of sale in accordance with TI's standard warranty. Testing and other quality control techniques are used to the extent TI deems necessary to support this warranty. Except where mandated by government requirements, testing of all parameters of each product is not necessarily performed.

TI assumes no liability for applications assistance or customer product design. Customers are responsible for their products and applications using TI components. To minimize the risks associated with customer products and applications, customers should provide adequate design and operating safeguards.

TI does not warrant or represent that any license, either express or implied, is granted under any TI patent right, copyright, mask work right, or other TI intellectual property right relating to any combination, machine, or process in which TI products or services are used. Information published by TI regarding third-party products or services does not constitute a license from TI to use such products or services or a warranty or endorsement thereof. Use of such information may require a license from a third party under the patents or other intellectual property of the third party, or a license from TI under the patents or other intellectual property of TI.

Reproduction of information in TI data books or data sheets is permissible only if reproduction is without alteration and is accompanied by all associated warranties, conditions, limitations, and notices. Reproduction of this information with alteration is an unfair and deceptive business practice. TI is not responsible or liable for such altered documentation.

Resale of TI products or services with statements different from or beyond the parameters stated by TI for that product or service voids all express and any implied warranties for the associated TI product or service and is an unfair and deceptive business practice. TI is not responsible or liable for any such statements.

### Mailing Address:

Texas Instruments  
Post Office Box 655303  
Dallas, Texas 75265