

## Product Features

- DC – 6000 MHz
- +8 dBm P1dB at 900 MHz
- +21 dBm OIP3 at 900 MHz
- 19.5 dB Gain at 900 MHz
- Single Voltage Supply
- Green SOT-86 SMT Package
- Internally matched to 50 Ω

## Applications

- Mobile Infrastructure
- CATV / DBS
- W-LAN / ISM
- RFID
- Defense / Homeland Security
- Fixed Wireless

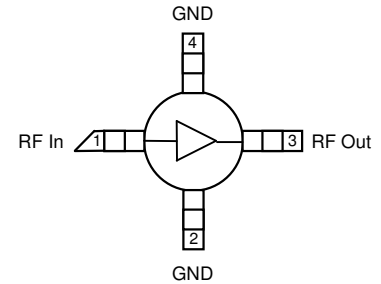
## Product Description

The AG203-86 is a general-purpose buffer amplifier that offers high dynamic range in a low-cost surface-mount package. At 900 MHz, the AG203-86 typically provides 19.5 dB gain, +21 dBm OIP3, and +8 dBm P1dB. The device combines dependable performance with consistent quality to maintain MTF values exceeding 100 years at mounting temperatures of +85 °C & is housed in a SOT-86 (micro-X) industry-standard SMT lead-free/green/RoHS-compliant package.

The AG203-86 consists of Darlington pair amplifiers using the high reliability InGaP/GaAs HBT process technology and only requires DC-blocking capacitors, a bias resistor, and an inductive RF choke for operation.

The broadband MMIC amplifier can be directly applied to various current and next generation wireless technologies such as GPRS, GSM, CDMA, and W-CDMA. In addition, the AG203-86 will work for other various applications within the DC to 6 GHz frequency range such as CATV and fixed wireless.

## Functional Diagram



Function	Pin No.
Input	1
Output/Bias	3
Ground	2, 4

## Specifications <sup>(1)</sup>

Parameter	Units	Min	Typ	Max
Operational Bandwidth	MHz	DC		6000
Test Frequency	MHz		900	
Gain	dB		19.4	
Input Return Loss	dB		25	
Output Return Loss	dB		15	
Output IP3 <sup>(2)</sup>	dBm		+20.8	
Output IP2	dBm		+25	
Output P1dB	dBm		+8.0	
Noise Figure	dB		3.1	
Test Frequency	MHz		1900	
Gain	dB	16.2	17.2	18.2
Output IP3 <sup>(2)</sup>	dBm		+20.7	
Output P1dB	dBm		+7.3	
Device Voltage	V		4.05	
Device Current	mA		20	

1. Test conditions: 25° C, Supply Voltage = +5 V, R<sub>bias</sub> = 47.5 Ω, 50 Ω System.
2. 3OIP measured with two tones at an output power of -10 dBm/tone separated by 10 MHz. The suppression on the largest IM3 product is used to calculate the 3OIP using a 2:1 rule.

## Typical Performance <sup>(1)</sup>

Parameter	Units	Typical			
Frequency	MHz	500	900	1900	2140
S21	dB	20	19.4	17.2	16.6
S11	dB	-25	-25	-20	-16
S22	dB	-15	-15	-15	-15
Output P1dB	dBm	+8.1	+8.0	+7.3	+7.2
Output IP3	dBm	+20.8	+20.8	+20.7	+20.5
Noise Figure	dB	3.1	3.1	3.3	3.3

## Absolute Maximum Rating

Parameter	Rating
Operating Case Temperature	-40 to +85 °C
Storage Temperature	-55 to +125 °C
DC Voltage	+4.5 V
RF Input Power (continuous)	+10 dBm
Junction Temperature	+250° C

Operation of this device above any of these parameters may cause permanent damage.

## Ordering Information

Part No.	Description
AG203-86*	InGaP HBT Gain Block (lead-tin SOT-86 Pkg)
AG203-86G	InGaP HBT Gain Block (lead-free/green/RoHS-compliant SOT-86 Pkg)
AG203-86PCB	700 – 2400 MHz Fully Assembled Eval. Board

\* This package is being phased out in favor of the green package type which is backwards compatible for existing designs. Refer to Product Change Notification WJPCN06MAY05TC1 on the WJ website.

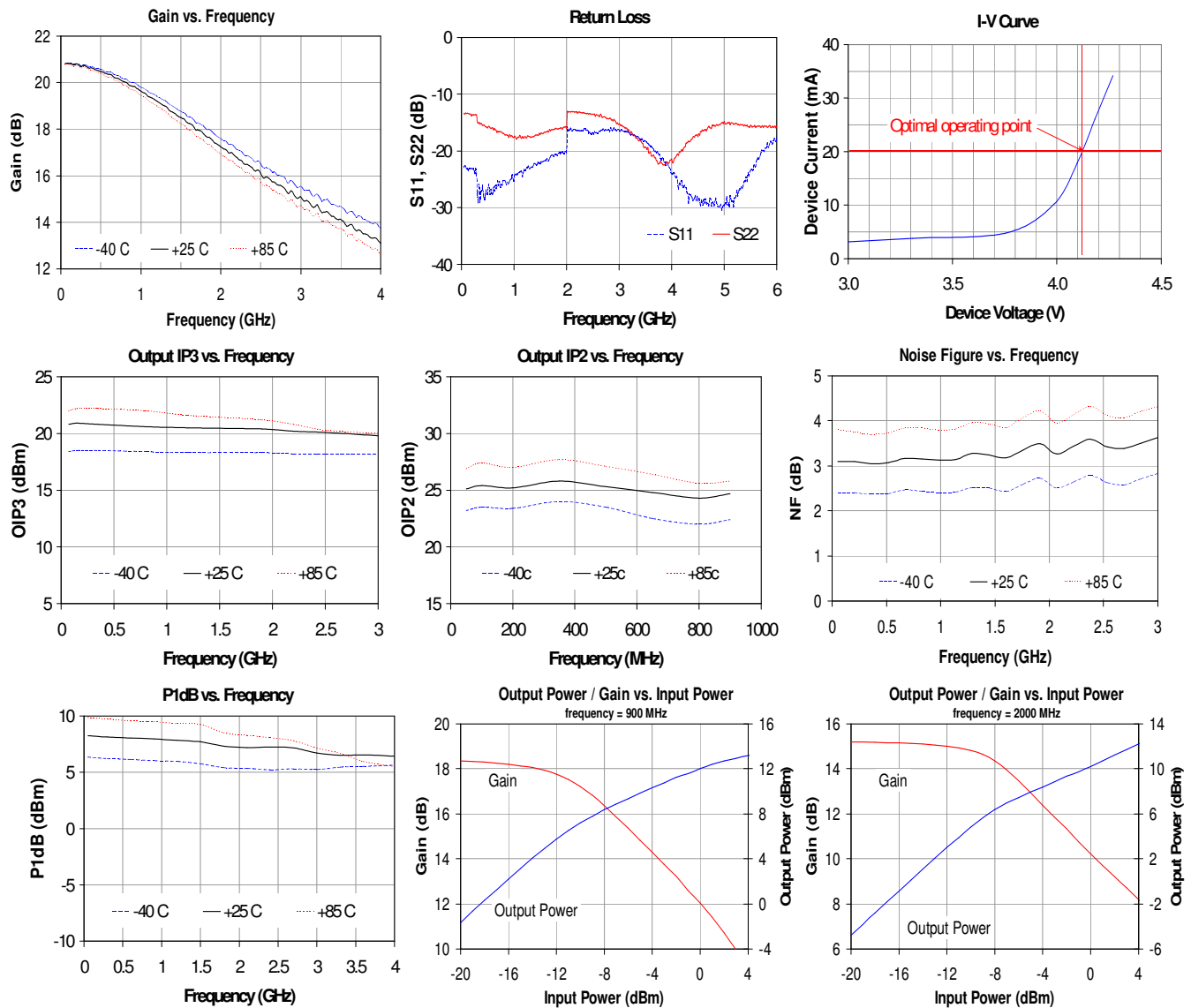
Specifications and information are subject to change without notice

## Typical Device RF Performance

Supply Bias = +5 V,  $R_{bias} = 47.5 \Omega$ ,  $I_{cc} = 20 \text{ mA}$

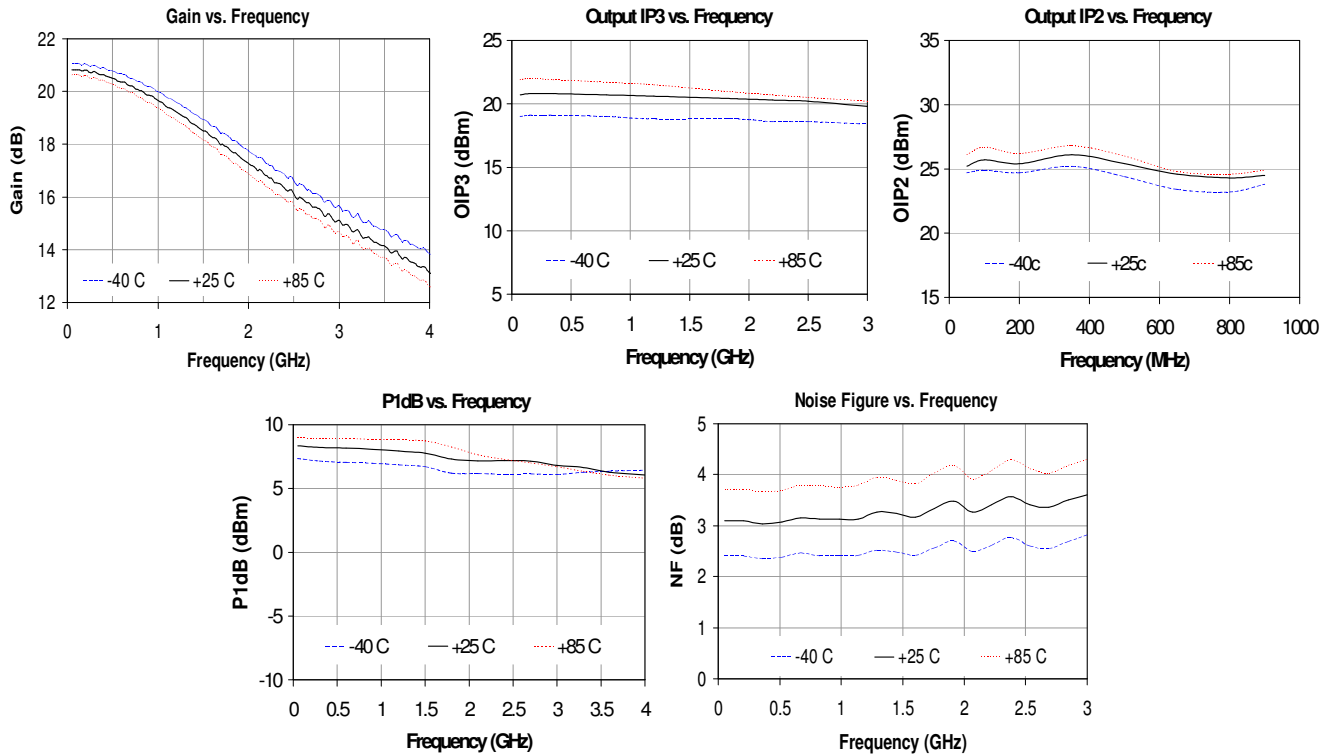
Frequency	MHz	100	500	900	1900	2140	2400	3500	5800
S21	dB	20.2	20.0	19.4	17.2	16.6	16.0	14.1	10.7
S11	dB	-20	-25	-25	-20	-16	-16	-16	-16
S22	dB	-13	-15	-15	-15	-15	-14	-18	-15
Output P1dB	dBm	+8.2	+8.1	+8.0	+7.3	+7.2	+7.2	+6.5	
Output IP3	dBm	+21.0	+20.8	+20.8	+20.7	+20.5	+20.3		
Noise Figure	dB	3.1	3.1	3.1	3.3	3.3	3.4		

1. Test conditions: T = 25° C, Supply Voltage = +5 V, Device Voltage = 4.05 V,  $R_{bias} = 47.5 \Omega$ ,  $I_{cc} = 20 \text{ mA}$  typical, 50  $\Omega$  System.
2. 3OIP measured with two tones at an output power of -10 dBm/tone separated by 10 MHz. The suppression on the largest IM3 product is used to calculate the 3OIP using a 2:1 rule.
3. Data is shown as device performance only. Actual implementation for the desired frequency band will be determined by external components shown in the application circuit.



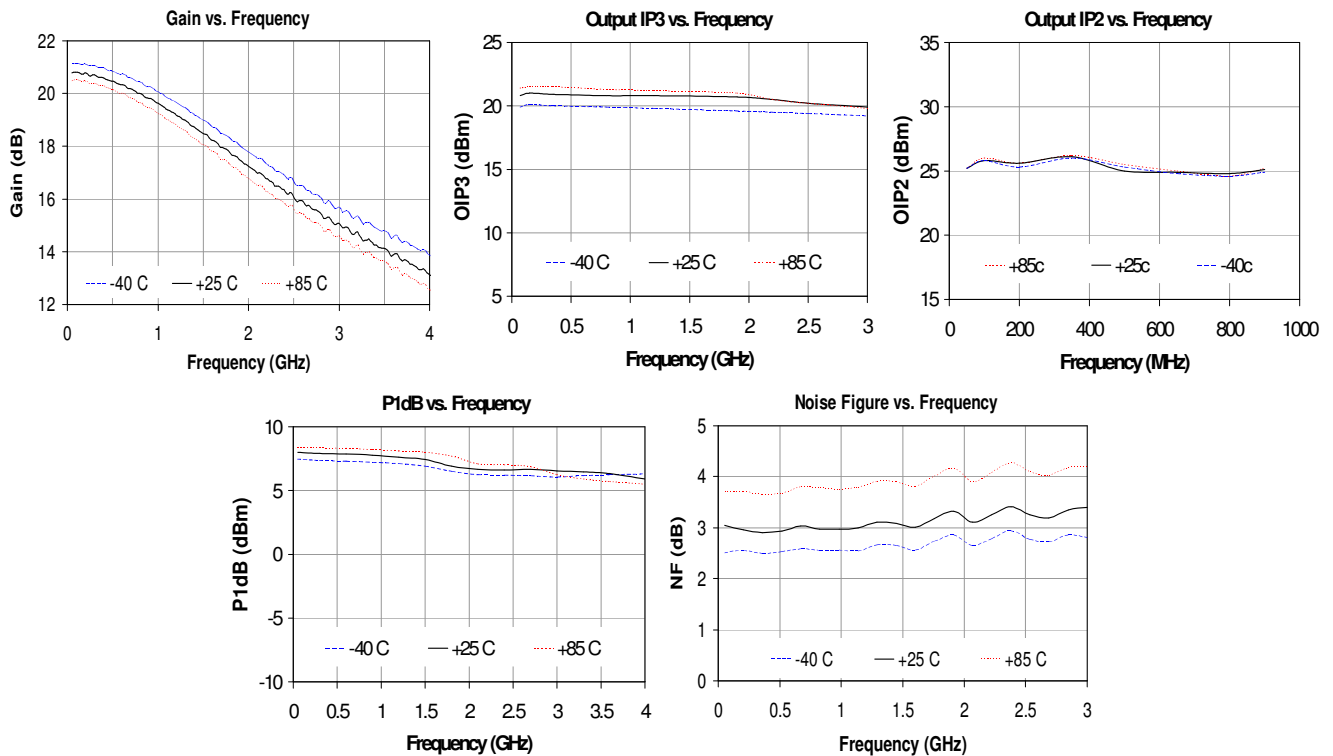
### Typical Device RF Performance (cont'd)

Supply Bias = +6 V,  $R_{bias} = 98 \Omega$ ,  $I_{cc} = 20 \text{ mA}$

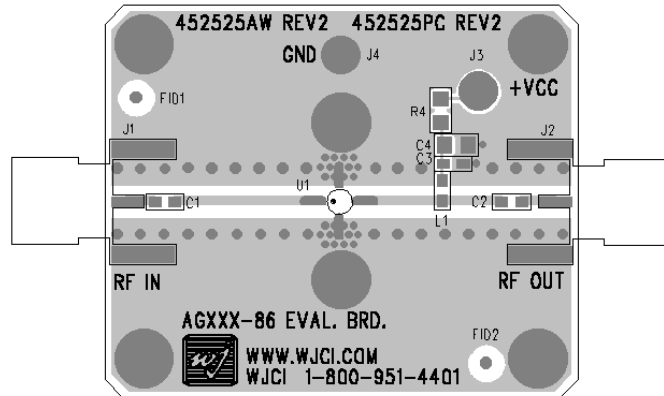
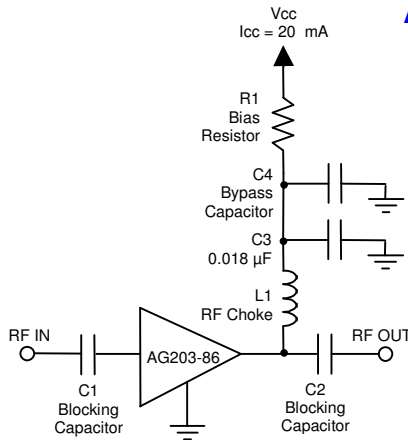


### Typical Device RF Performance

Supply Bias = +8 V,  $R_{bias} = 198 \Omega$ ,  $I_{cc} = 20 \text{ mA}$



### Application Circuit



#### Recommended Component Values

Reference Designator	Frequency (MHz)						
	50	500	900	1900	2200	2500	3500
L1	820 nH	220 nH	68 nH	27 nH	22 nH	18 nH	15 nH
C1, C2, C4	.018 μF	1000 pF	100 pF	68 pF	68 pF	56 pF	39 pF

- The proper values for the components are dependent upon the intended frequency of operation.
- The following values are contained on the evaluation board to achieve optimal broadband performance:

Ref. Desig.	Value / Type	Size
L1	39 nH wirewound inductor	0603
C1, C2	56 pF chip capacitor	0603
C3	0.018 μF chip capacitor	0603
C4	Do Not Place	
R1	47.5 Ω 1% tolerance	0603

#### Recommended Bias Resistor Values

Supply Voltage	R1 value	Size
5 V	47.5 ohms	0603
6 V	98 ohms	0603
7 V	148 ohms	0805
8 V	198 ohms	0805
9 V	248 ohms	1206
10 V	298 ohms	1210
12 V	398 ohms	1210

The proper value for R1 is dependent upon the supply voltage and allows for bias stability over temperature. WJ recommends a minimum supply bias of +5 V. A 1% tolerance resistor is recommended.

### Typical Device Data

S-Parameters ( $V_{device} = +4.05 V$ ,  $I_{CC} = 20 mA$ ,  $T = 25^\circ C$ , calibrated to device leads.)

Freq (MHz)	S11 (dB)	S11 (ang)	S21 (dB)	S21 (ang)	S12 (dB)	S12 (ang)	S22 (dB)	S22 (ang)
50	-22.84	-0.07	20.75	177.32	-23.39	0.76	-13.40	-3.20
250	-23.86	9.00	20.67	166.89	-23.73	2.56	-13.66	-11.48
500	-27.29	28.82	20.50	153.87	-23.63	1.56	-15.89	-24.47
750	-26.07	34.92	20.14	141.62	-23.52	1.40	-16.64	-41.51
1000	-25.11	29.08	19.67	129.97	-23.71	-0.82	-17.55	-58.52
1250	-22.93	24.43	19.20	118.62	-22.95	0.96	-17.47	-77.84
1500	-22.25	14.88	18.61	108.25	-23.00	-0.16	-17.07	-93.14
1750	-20.95	2.45	18.05	98.43	-22.57	1.41	-16.20	-104.31
2000	-19.51	-8.95	17.41	89.13	-22.18	2.42	-15.55	-110.13
2250	-16.43	-13.31	16.82	81.09	-21.84	-1.23	-13.16	-105.60
2500	-16.78	-23.33	16.42	75.17	-22.12	-6.06	-13.53	-109.50
2750	-16.30	-34.19	15.94	66.69	-21.11	-6.07	-14.17	-114.41
3000	-16.36	-40.45	15.44	59.03	-20.69	-4.81	-15.24	-120.33
3250	-17.08	-46.15	15.04	51.80	-20.33	-6.56	-16.92	-126.45
3500	-18.26	-50.28	14.61	44.52	-19.98	-9.18	-19.42	-142.16
3750	-20.54	-49.45	14.22	37.06	-19.86	-14.94	-22.27	-170.32
4000	-24.06	-47.33	13.82	29.86	-19.34	-14.68	-21.48	152.21
4250	-26.27	-34.92	13.42	22.90	-18.89	-20.14	-19.26	128.72
4500	-28.81	-7.87	12.97	15.72	-18.65	-21.13	-17.44	118.35
4750	-29.10	4.10	12.58	8.48	-18.33	-26.55	-15.98	114.86
5000	-29.66	-6.98	12.26	1.83	-17.90	-29.89	-14.84	117.23
5250	-27.47	-47.93	11.89	-4.38	-17.79	-34.21	-15.32	122.63
5500	-23.43	-76.94	11.53	-10.48	-17.36	-36.99	-15.49	131.30
5750	-20.02	-92.84	11.26	-16.74	-17.43	-39.01	-15.72	145.53
6000	-17.60	-100.20	10.98	-22.74	-17.06	-44.67	-15.62	155.14

Device S-parameters are available for download off of the website at: <http://www.wj.com>

Specifications and information are subject to change without notice



