

# AHA4524

## (4 Kbit Block Version)

### TURBO PRODUCT CODE ENCODER/DECODER

The AHA4524 device is a single-chip Turbo Product Code (TPC) Forward Error Correction (FEC) Encoder/Decoder. This device integrates independent TPC encoder and decoder functions, and can be configured for full or half duplex operation. In addition to TPC coding, the device includes helical interleaving, CRC computation, and data scrambling. Each of the functional blocks can be independently bypassed. Figure 1 shows the functional block diagram.

The encoder and decoder accept data and configuration through a synchronous 3-wire or data bus interface designed to connect directly to a DSP or user logic.

Encoder and decoder configuration registers are written and read through the same interface as the data. Configuration registers may be accessed at the start of every block transfer.

The encode datapath, with all functional blocks enabled, computes and inserts CRC bits, scrambles the data, inserts error correction code (ECC) bits, and helically interleaves the data. The decoder datapath is the reverse of the encoder datapath. With all functional blocks enabled, the received data is helically deinterleaved before decoding. The decoder output is descrambled, and the CRC is computed to verify data integrity. Decoded data is then output in a serial bit stream.

The decoder input interface includes an option to accept 4 bit parallel soft metric data symbols. The parallel decoder input is used to support a symbol per transfer for fast channel input rates. The AHA4524 also includes fast code changing feature which allows the device to process multiple block types simultaneously.

## FEATURES

### PERFORMANCE:

- 60 Mbit/sec channel rate and 50 Mbit/sec payload data rate for (64,57)x(64,57) code with 3 iterations
- Integrated 16 bit scrambler and descrambler
- Integrated 32 bit CRC computation and verification

- Supports two dimensional (2D) and three dimensional (3D) Turbo Product Codes
- Supports 2D enhanced Turbo Product Codes
- Correction count for channel SNR estimation
- Simultaneously processes multiple block types

### FLEXIBILITY:

- Code Rates from 0.25 to 0.97
- Encoded block Sizes from 64 bits to 4 Kbits
- Programmable code shortening supports exact block sizes
- Programmable decoder input quantization for up to 4 bit wide soft metrics
- Programmable iterations up to 255 per block
- 4 programmable block configurations which are selectable for fast code changing
- On chip PLL allows low frequency system clock

### CHANNEL INTERFACE:

- Synchronous 3-wire input and output ports designed to be compatible with DSP serial ports
- Bus mode input and output ports designed to be compatible with a DSP bus
- Chip selects on encoder and decoder ports for full or half-duplex operation
- Pin selectable interface control signal polarity
- Decoder supports 4 bit parallel soft metric input data for fast decode operation

### SYSTEM INTERFACE:

- Secondary input communication cycles are used for accessing the AHA4524 configuration registers through the data ports
- Block status is optionally output at the end of every decoded block to provide correction and CRC error information

### ELECTRICAL:

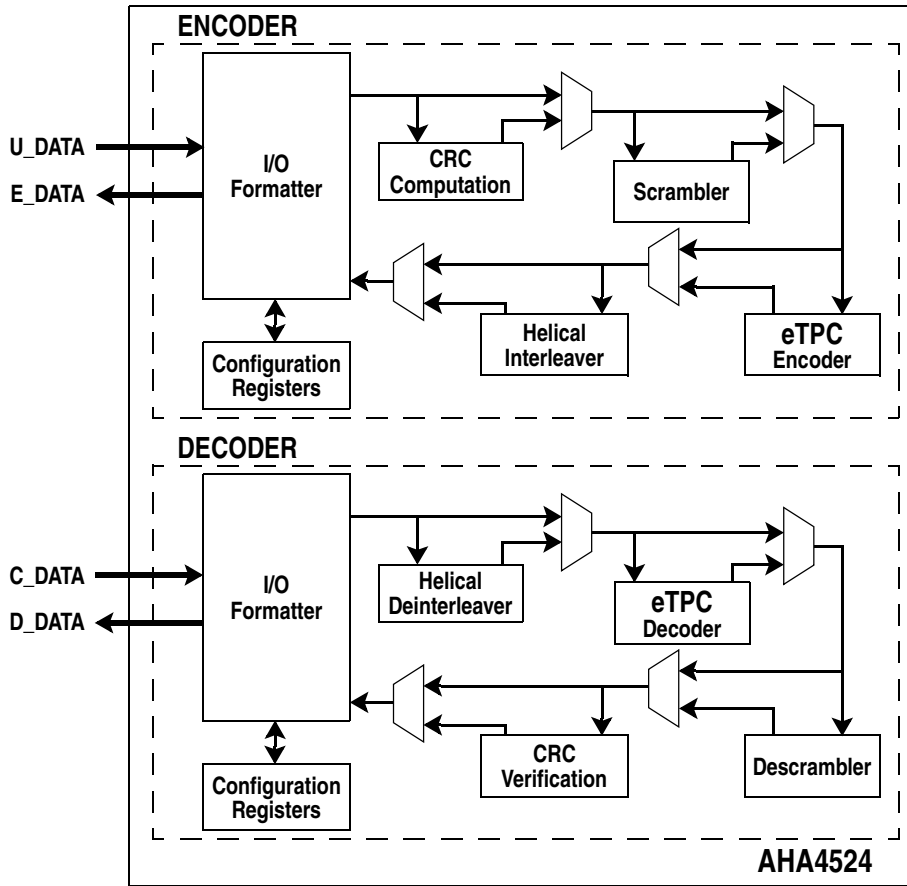
- 3.3V I/O, 1.8V core operation
- 5V tolerant inputs
- TTL signal compatible
- 64 pin TQFP Package
- Commercial or Industrial temperature rating



*This product is covered under multiple patents held or licensed by Comtech AHA Corporation.*

*This product is covered by a Turbo Code Patent License from France Telecom - TDF - Groupe des écoles des télécommunications.*

Figure 1: AHA4524 Functional Block Diagram

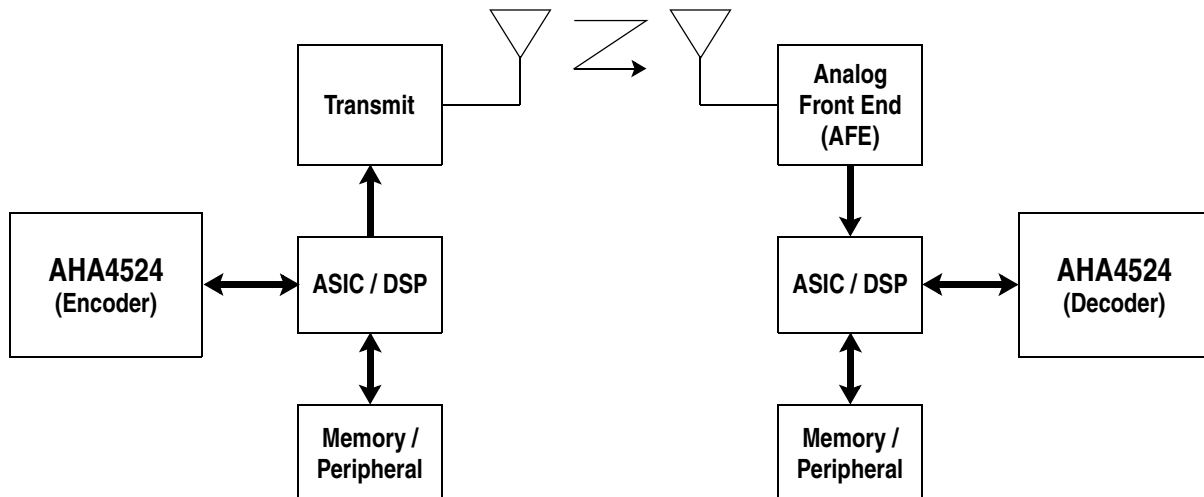


**SYSTEM APPLICATION**

Figure 2 is a block diagram of a wireless system that shows AHA4524 being used as a TPC encoder/decoder. During decoding, data is routed between the Analog Front End (AFE) and ASIC/DSP through a serial port. The data is then processed in the ASIC/DSP to block and prepare the

data for the AHA4524 decoder. Data blocks are then transferred to the AHA4524 for TPC decoding. Data received from AHA4524 is then routed to memory/peripheral functions. Encoding is done in a similar manner where the ECC bits are added to the block of data. The encoded data block is further processed for modulation and frame synchronization as required, then transmitted.

Figure 2: System Block Diagram, Wireless Communication



## CODE PERFORMANCE

Table 1 gives an abridged list of possible codes supported by AHA4524, along with the code rate and coding gain of each code. This is a very small subset of supported codes. AHA can provide software to assist the code selection process.

**Table 1: Partial Code List and Performance**

CODE (X)x(Y)x(Z)	BLOCK SIZE (bits)	DATA SIZE (bits)	RATE	CODING GAIN* (dB)	MAX CHANNEL RATE AT 3 ITERATIONS (Mb/s)
(64,63)x(64,62)+	4096	3906	0.954	4.4	39.2
(64,57)x(64,62)+	4096	3534	0.863	5.8	39.2
(64,57)x(64,57)	4096	3249	0.793	6.7	60.0
(32,26)x(32,26)x(4,3)	4096	2028	0.495	7.3	40.8

- \* Estimated Coding Gain is measured on a Binary Input Additive White Gaussian Noise (AWGN) channel at  $10^{-6}$  Bit Error Rate (BER) and 3 iterations.
- + enhanced TPC (includes hyper axis). In enhanced codes, the Y axis is shortened by one. The shortening and addition of hyper axis is included in the code description.

**Figure 3: Comparison of TPC Code Types**

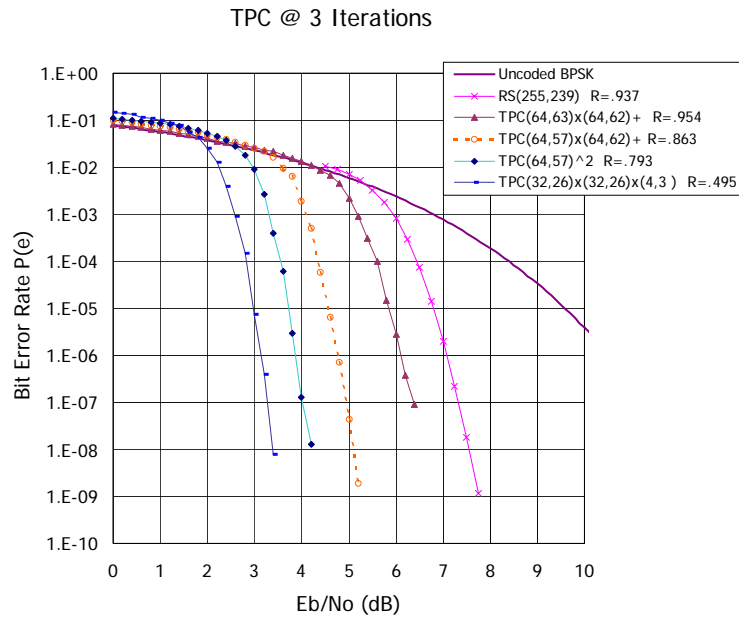
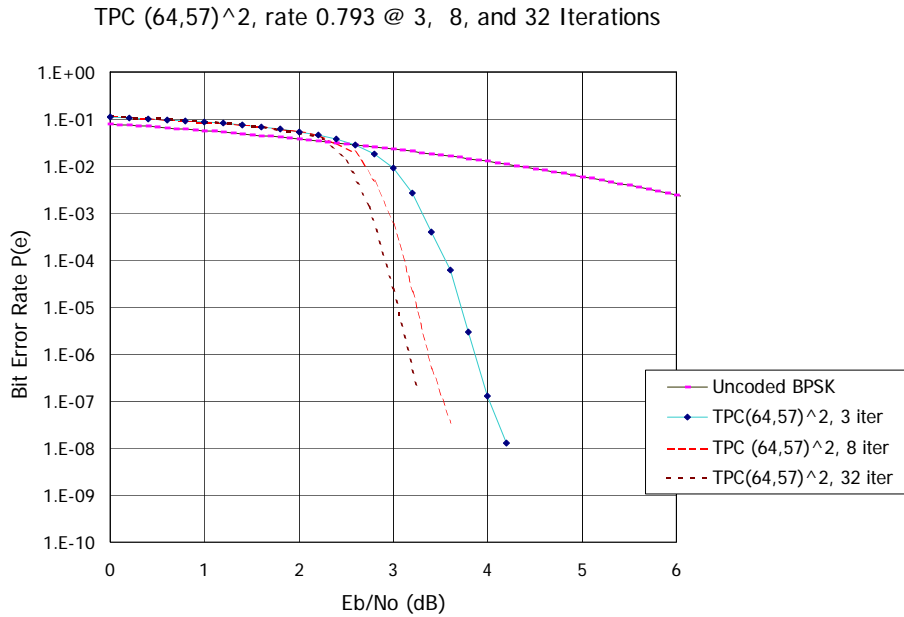


Figure 4: TPC Performance with 3, 8 and 32 Iterations



## ABOUT AHA

Comtech AHA Corporation (AHA) develops and markets superior integrated circuits, boards, and intellectual property core technology for communications systems architects worldwide. AHA has been setting the standard in Forward Error Correction and Lossless Data Compression technology for many years and provides flexible, cost-effective solutions for today's growing bandwidth and reliability challenges. Comtech AHA Corporation is a wholly owned subsidiary of Comtech Telecommunications Corp. (NASDAQ: CMTL). For more information, visit [www.aha.com](http://www.aha.com).

## ORDERING INFORMATION

PART NUMBER	DESCRIPTION
AHA4524A-031 PTC	4 Kbit Block TPC Encoder/Decoder - Commercial Temp
AHA4524A-031 PTI	4 Kbit Block TPC Encoder/Decoder - Industrial Temp



A subsidiary of Comtech Telecommunications Corporation

1126 Alturas Drive ■ Moscow, ID 83843-8331

tel: 208.892.5600 ■ fax: 208.892.5601

e-mail: [sales@aha.com](mailto:sales@aha.com) ■ [www.aha.com](http://www.aha.com)