

0.6A Low Dropout Positive Adjustable or Fixed-Mode Regulator

■ Features

- 1.3V maximum dropout at full load current
- Fast transient response
- Output current limiting
- Built-in thermal shutdown
- Packages: SOT89, TO92
- Good noise rejection
- 3-Terminal Adjustable or Fixed 1.5V / 1.8V / 2.5V / 2.8V / 3.0V / 3.3V / 3.5V / 5.0V

■ Applications

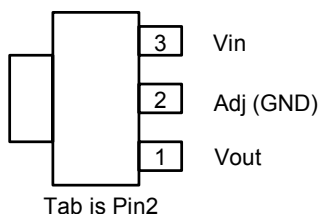
- PC peripheral
- Communication

■ General Description

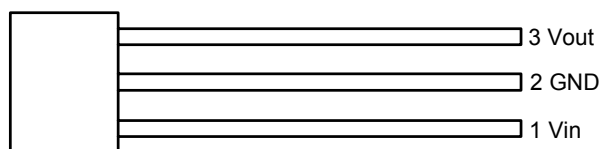
AP1115 is a low dropout positive adjustable or fixed-mode regulator with minimum of 0.6A output current capability. The product is specifically designed to provide well-regulated supply for low voltage IC applications such as high-speed bus termination and low current 3.3V logic supply. AP1115 is also well suited for other applications such as VGA cards. AP1115 is guaranteed to have <1.3V dropout at full load current making it ideal to provide well regulated outputs of 1.25V to 5V with up to 18V input supply.

■ Connection Diagram (Top View)

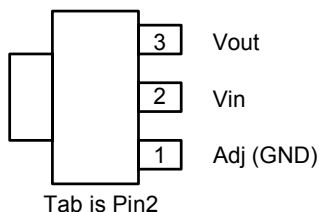
AP1115A-3 PIN SOT89



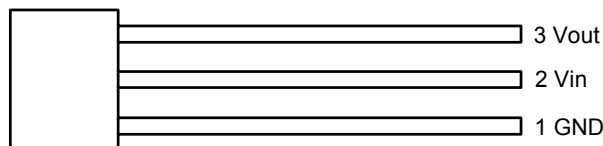
AP1115A-3 PIN TO92



AP1115B-3 PIN SOT89



AP1115B-3 PIN TO92



■ Pin Descriptions

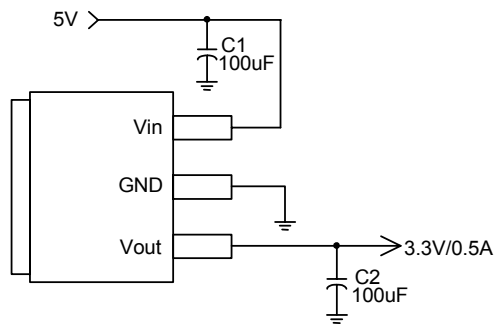
NAME	I/O	FUNCTION
Adj (GND)	I	A resistor divider from this pin to the Vout pin and ground sets the output voltage. (Ground only for Fixed-Mode)
Vout	O	The output of the regulator. A minimum of 10uF capacitor ($0.15\Omega \leq \text{ESR} \leq 20\Omega$) must be connected from this pin to ground to insure stability.
Vin	I	The input pin of regulator. Typically a large storage capacitor ($0.15\Omega \leq \text{ESR} \leq 20\Omega$) is connected from this pin to ground to insure that the input voltage does not sag below the minimum dropout voltage during the load transient response. This pin must always be 1.3V higher than Vout in order for the device to regulate properly.

0.6A Low Dropout Positive Adjustable or Fixed-Mode Regulator

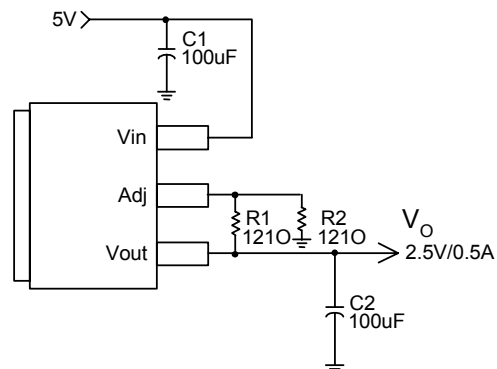
Ordering Information

AP 1115 X X XX X X					
Low Dropout Regulator	Pin Version	Package	Vout	Lead Free	Packing
A: Pin1:Vout 2:Adj(GND) 3:Vin	Y : SOT89-3L V : TO92-3L	Blank : ADJ 15 : 1.5V 18 : 1.8V 25 : 2.5V 28 : 2.8V 30 : 3.0V 33 : 3.3V 35 : 3.5V 50 : 5.0V	Blank : Normal L : Lead Free Package	Blank : Tube A : Taping	
B: Pin1:Adj(GND) 2:Vin 3:Vout					

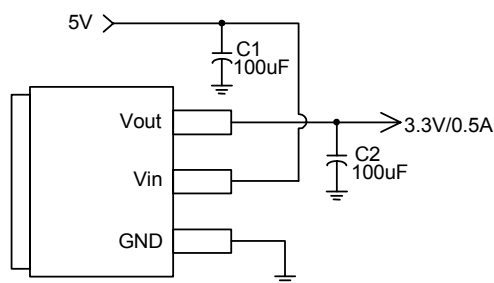
Typical Circuit



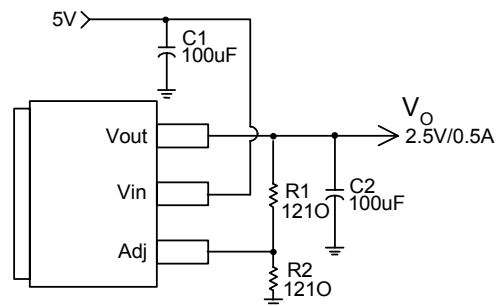
AP1115A (5V/3.3V fixed output)



AP1115A (5V/2.5V Adj output)



AP1115B (5V/3.3V fixed output)



AP1115B (5V/2.5V Adj output)

Note: $V_o = V_{REF} * (1 + \frac{R_2}{R_1})$



AP1115

0.6A Low Dropout Positive Adjustable or Fixed-Mode Regulator

■ Absolute Maximum Ratings

Symbol	Parameter	Rating	Unit
V_{IN}	DC Supply Voltage	-0.3 to 18 V	V
P_D	Power Dissipation	Internally Limited	
T_{ST}	Storage Temperature	-65 to +150	°C
T_{OP}	Operating Junction Temperature Range	0 to +150	°C

■ Electrical Characteristics (Under Operating Conditions)

PARAMETER	CONDITIONS		MIN	TYP	MAX	UNIT
Reference Voltage	AP1115-ADJ	$T_J=25^\circ\text{C}, (V_{IN-OUT})=1.5\text{V}$ $I_O=10\text{mA}$	1.225	1.250	1.275	V
Output Voltage	AP1115-1.5	$I_{OUT} = 10\text{mA}, T_J = 25^\circ\text{C},$ $3\text{V} \leq V_{IN} \leq 12\text{V}$	1.470	1.500	1.530	V
	AP1115-1.8	$I_{OUT} = 10\text{mA}, T_J = 25^\circ\text{C},$ $3.3\text{V} \leq V_{IN} \leq 12\text{V}$	1.764	1.800	1.836	V
	AP1115-2.5	$I_{OUT} = 10\text{mA}, T_J = 25^\circ\text{C},$ $4\text{V} \leq V_{IN} \leq 12\text{V}$	2.450	2.500	2.550	V
	AP1115-2.8	$I_{OUT} = 10\text{mA}, T_J = 25^\circ\text{C},$ $4.3\text{V} \leq V_{IN} \leq 12\text{V}$	2.744	2.800	2.856	V
	AP1115-3.0	$I_{OUT} = 10\text{mA}, T_J = 25^\circ\text{C},$ $4.5\text{V} \leq V_{IN} \leq 12\text{V}$	2.940	3.000	3.060	V
	AP1115-3.3	$I_{OUT} = 10\text{mA}, T_J = 25^\circ\text{C},$ $4.8\text{V} \leq V_{IN} \leq 12\text{V}$	3.235	3.300	3.365	V
	AP1115-3.5	$I_{OUT} = 10\text{mA}, T_J = 25^\circ\text{C},$ $5\text{V} \leq V_{IN} \leq 12\text{V}$	3.430	3.500	3.570	V
	AP1115-5.0	$I_{OUT} = 10\text{mA}, T_J = 25^\circ\text{C},$ $6.5\text{V} \leq V_{IN} \leq 12\text{V}$	4.900	5.000	5.100	V
	Line Regulation	AP1115-XXX	$I_O=10\text{mA}, V_{OUT}+1.5\text{V} < V_{IN} < 15\text{V},$ $T_J=25^\circ\text{C}$	-	-	0.2
Load Regulation	AP1115-ADJ	$V_{IN}=3.3\text{V}, I_{adj}=0, 0\text{mA} < I_O < 0.6\text{A},$ $T_J=25^\circ\text{C}$ (Note 1,2)	-	-	1	%
	AP1115-1.5	$V_{IN}=3\text{V}, 0\text{mA} < I_O < 0.6\text{A},$ $T_J=25^\circ\text{C}$ (Note 1,2)	-	12	15	mV
	AP1115-1.8	$V_{IN}=3.3\text{V}, 0\text{mA} < I_O < 0.6\text{A},$ $T_J=25^\circ\text{C}$ (Note 1,2)	-	15	18	mV
	AP1115-2.5	$V_{IN}=4\text{V}, 0\text{mA} < I_O < 0.6\text{A},$ $T_J=25^\circ\text{C}$ (Note 1,2)	-	20	25	mV
	AP1115-2.8	$V_{IN}=4.3\text{V}, 0\text{mA} < I_O < 0.6\text{A},$ $T_J=25^\circ\text{C}$ (Note 1,2)	-	22	28	mV
	AP1115-3.0	$V_{IN}=5\text{V}, 0 \leq I_{OUT} \leq 0.6\text{A},$ $T_J=25^\circ\text{C}$ (Note 1,2)	-	23	30	mV
	AP1115-3.3	$V_{IN}=5\text{V}, 0 \leq I_{OUT} \leq 0.6\text{A},$ $T_J=25^\circ\text{C}$ (Note 1,2)	-	26	33	mV
	AP1115-3.5	$V_{IN}=5\text{V}, 0 \leq I_{OUT} \leq 0.6\text{A},$ $T_J=25^\circ\text{C}$ (Note 1,2)	-	28	35	mV
	AP1115-5.0	$V_{IN}=8\text{V}, 0 \leq I_{OUT} \leq 0.6\text{A},$ $T_J=25^\circ\text{C}$ (Note 1,2)	-	40	50	mV
Dropout Voltage ($V_{IN}-V_{OUT}$)	AP1115-ADJ/1.5/1.8 2.5/2.8/3.0/3.3/3.5/5.0	$I_{OUT} = 0.6\text{A}, \Delta V_{OUT}=0.1\%V_{OUT}$	-	1.1	1.3	V
Current Limit	AP1115-ADJ/1.5/1.8 2.5/2.8/3.0/3.3/3.5/5.0	$(V_{IN}-V_{OUT}) = 5\text{V}$	0.7	-	-	A
Minimum Load Current	AP1115-XXX	$0^\circ\text{C} \leq T_J \leq 125^\circ\text{C}$	-	5	10	mA
Thermal Regulation	$T_A=25^\circ\text{C}, 30\text{ms}$ pulse		-	0.008	0.04	%/W

0.6A Low Dropout Positive Adjustable or Fixed-Mode Regulator

■ Electrical Characteristics (Continued) (Under Operating Conditions)

Ripple Rejection	F=120Hz, C _{OUT} =25uF Tantalum, I _{OUT} =0.6A					
	AP1115-XXX	V _{IN} =V _{OUT} +3V	-	60	70	dB
Temperature Stability	I _O =10mA					
θ_{JA}	Thermal Resistance Junction-to-Ambient (No heat sink; No air flow)	SOT89	-	300	-	°C/W
		TO92	-	160	-	
θ_{JC}	SOT89: Control Circuitry/Power Transistor Thermal Resistance Junction-to-Case		-	100	-	°C/W

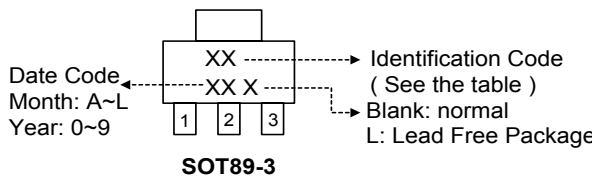
Note1: See thermal regulation specifications for changes in output voltage due to heating effects. Line and load regulation are measured at a constant junction temperature by low duty cycle pulse testing. Load regulation is measured at the output lead = 1/18" from the package.

Note2: Line and load regulation are guaranteed up to the maximum power dissipation of 5W. Power dissipation is determined by the input/output differential and the output current. Guaranteed maximum power dissipation will not be available over the full input/output range.

Note3: Quiescent current is defined as the minimum output current required to maintain regulation. At 12V input/output differential the device is guaranteed to regulate if the output current is greater than 10mA.

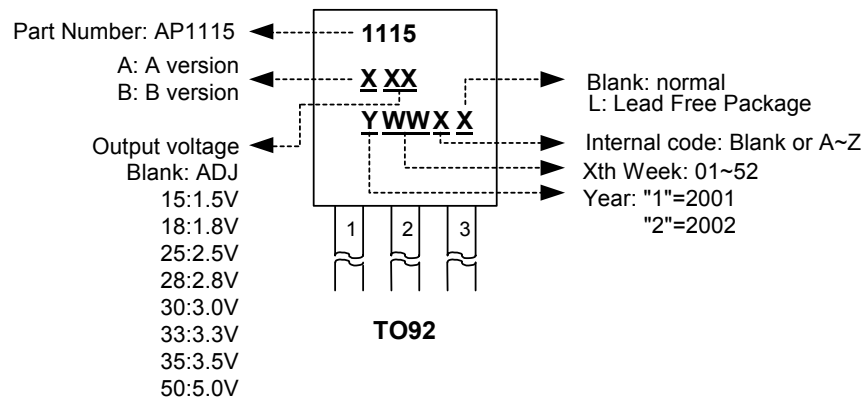
■ Marking Information

Identification Code



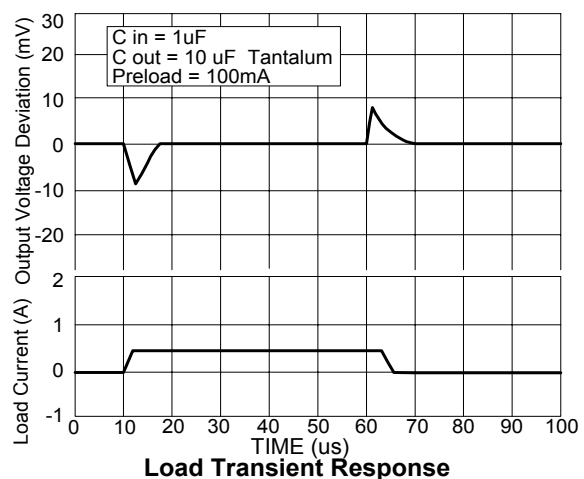
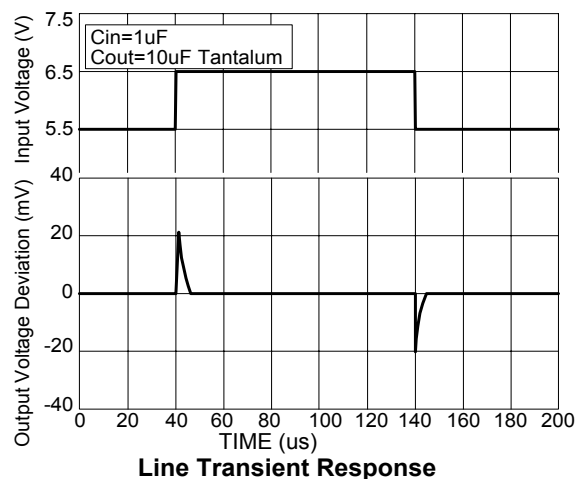
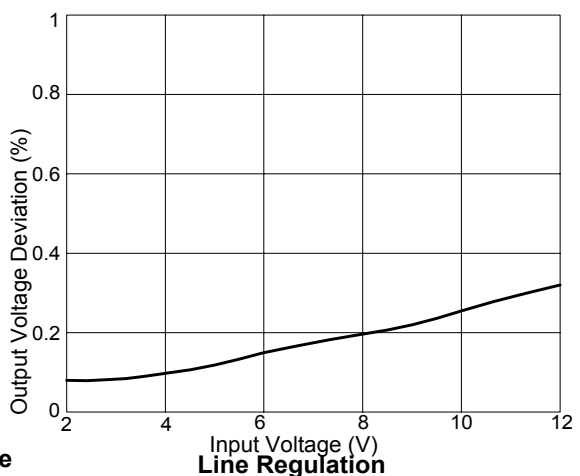
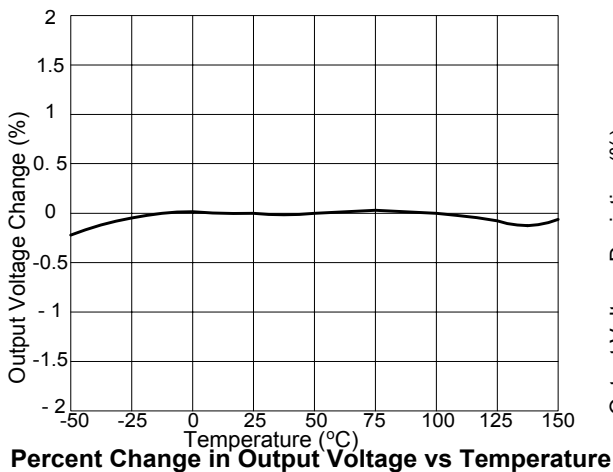
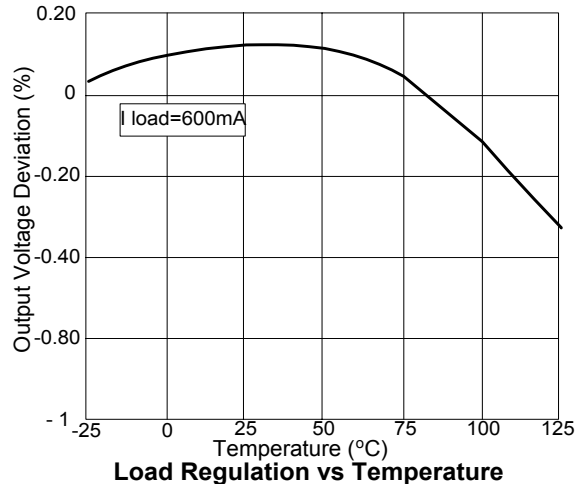
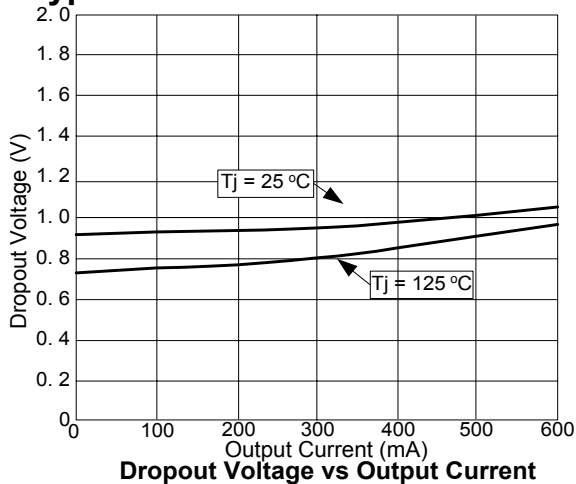
Output version	Part Number	
	AP1115A	AP1115B
ADJ	JO	JU
1.5V	JP	JV
1.8V	JQ	JW
2.5V	JR	JX
2.8V	JC	JD
3.0V	JM	JN
3.3V	JS	JY
3.5V	JK	JL
5.0V	JT	JZ

(Top View)



0.6A Low Dropout Positive Adjustable or Fixed-Mode Regulator

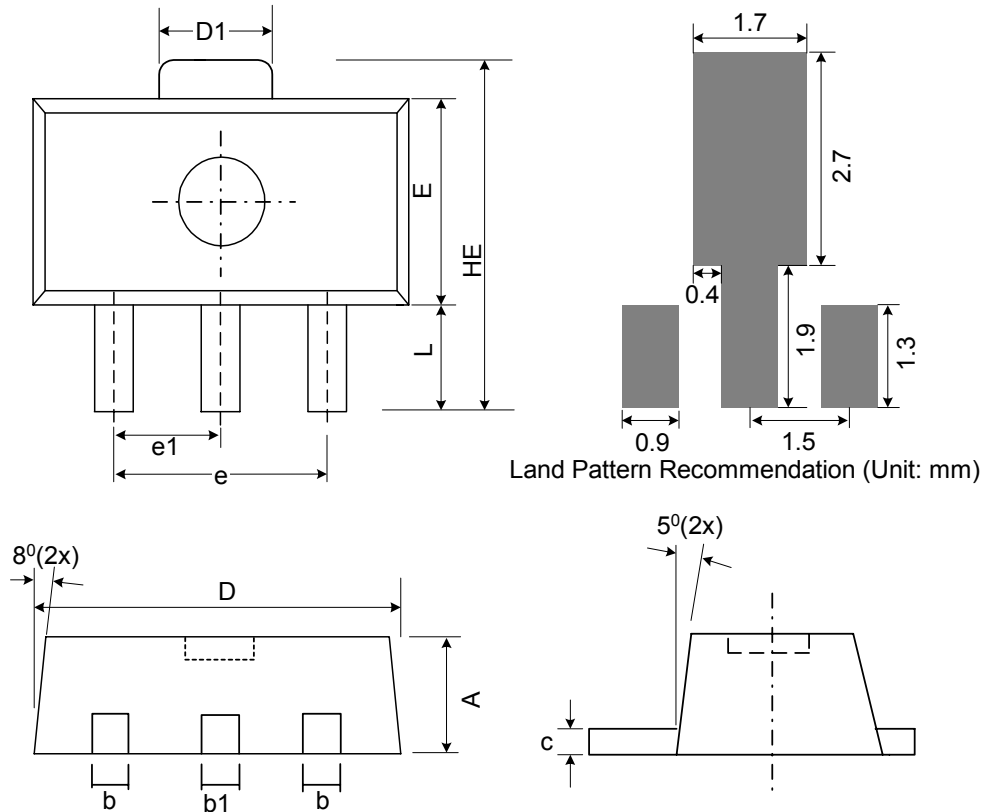
Typical Performance Characteristics



0.6A Low Dropout Positive Adjustable or Fixed-Mode Regulator

■ Package Information

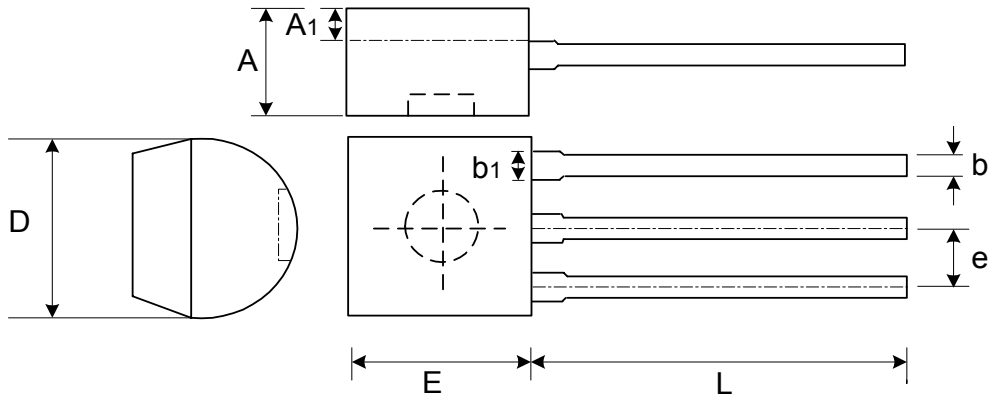
(1) Package Type: SOT89-3L



Symbol	Dimensions In Millimeters			Dimensions In Inches		
	Min.	Nom.	Max.	Min.	Nom.	Max.
A	1.40	1.50	1.60	0.055	0.059	0.063
b	0.36	0.42	0.48	0.014	0.016	0.018
b1	0.41	0.47	0.53	0.016	0.043	0.051
C	0.35	0.39	0.43	0.014	0.015	0.017
D	4.40	4.50	4.60	0.173	0.177	0.181
D1	1.40	1.60	1.75	0.055	0.062	0.069
e	2.90	3.00	3.10	0.114	0.118	0.122
e1	1.45	1.50	1.55	0.057	0.059	0.061
E	2.35	2.48	2.60	0.093	0.098	0.102
HE	3.94	-	4.25	0.155	-	0.167
L	0.80	-	1.20	0.031	-	0.047

0.6A Low Dropout Positive Adjustable or Fixed-Mode Regulator

(2) Package Type: TO92-3L



Symbol	Dimensions In Millimeters			Dimensions In Inches		
	Min.	Nom.	Max.	Min.	Nom.	Max.
A	3.302	3.556	3.810	0.130	0.140	0.150
A1	1.016	-	-	0.040	-	-
b	0.330	0.381	0.432	0.013	0.015	0.017
b1	0.406	0.457	0.506	0.016	0.018	0.020
D	4.445	4.572	4.699	0.175	0.180	0.185
E	4.445	4.572	4.699	0.175	0.180	0.185
L	13.00	-	15.50	0.512	-	0.610
e	1.150	1.270	1.390	0.045	0.050	0.055