



AP435/435L

(Preliminary)

Dual Linear Controller With Shutdown

■ Features

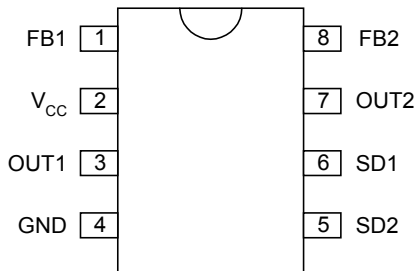
- Power shutdown (SD) control
- Fixed output voltage reference 1.25V
- Voltage precision:
 - AP435L: $1.25 \pm 0.4\%$
 - AP435 : $1.25 \pm 1\%$
- Wide power supply range: 3 to 32V
- Sourcing current capability: 1 to 200mA
- Typical output impedance: 0.2Ω

■ Application

- Computer
- Disk driver
- CD-ROM
- Graphic Card
- TFT panel

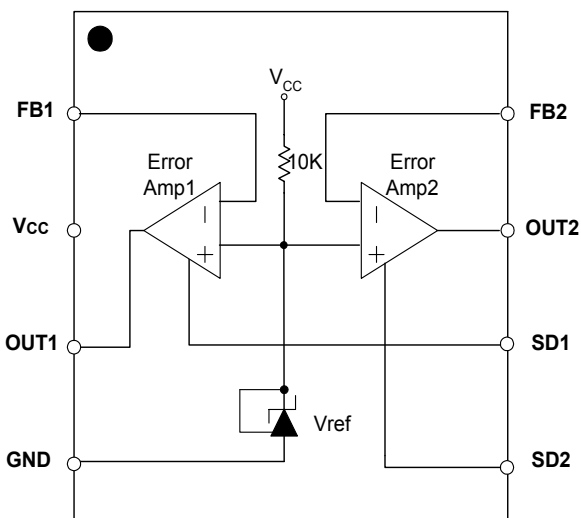
■ Pin Assignments

(Top view)



(DIP8/SO8)

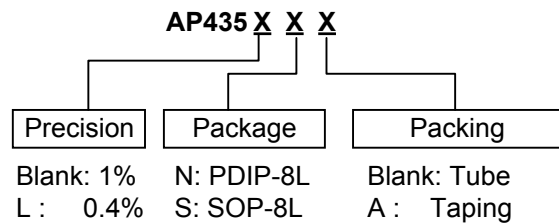
■ Block Diagram



■ General Descriptions

The AP435/435L is a linear controller IC with Shutdown function, wired to a 1.25V fixed Voltage Reference. This device is offering space and cost saving in many applications like power supply management or data acquisition systems.

■ Ordering Information



■ Pin Descriptions

Name	Descriptions
OUT1	Output1
FB1/2	Output Feedback
V _{CC}	Supply Voltage
GND	Ground
SD1/2	Power shutdown control
OUT2	Output2



AP435/435L

(Preliminary)

Dual Linear Controller With Shutdown

■ Absolute Maximum Ratings

Symbol	Parameter	Rating	Unit
V_{CC}	Supply Voltage	36	V
V_{SD}	Shutdown pin		V
V_{ESD}	ESD	2	KV
V_{IN}	Input Voltage	-0.3 ~ +36	V
T_{OP}	Operating temperature range	-55 ~ +125	°C
T_{ST}	Storage temperature range	-65 ~ +150	°C
θ_{JA} (DIP package)	Thermal resistance junction to Ambient	100	°C/W
θ_{JA} (SOP package)		160	
T_J	Maximum junction temperature	150	°C

■ Electrical Characteristics ($T_{AMB}=25^{\circ}\text{C}$, $V_{CC}=5\text{V}$)

Symbol	Parameter	Conditions	Min.	Typ.	Max.	Unit
V_{CC}	Input voltage		3		32	V
$I_{CC(ACTIVE)}$	Supply current	$V_{CC(+)}=5\text{V}$, No Load $T_{MIN}<T_{AMB}<T_{MAX}$		0.7	1.2	mA
$I_{CC(SHUTDOWN)}$						

Error-amp ($V_{CC} = 5\text{V}$, $T_{AMB}=25^{\circ}\text{C}$, unless otherwise notice)

Symbol	Parameter	Conditions	Min.	Typ.	Max.	Unit	
V_{IO}	Input Offset voltage $V_{icm} = 0\text{V}$	AP435	$T_{AMB}=25^{\circ}\text{C}$		1	4	mV
			$T_{MIN}<T_{AMB}<T_{MAX}$			5	
		AP435L	$T_{AMB}=25^{\circ}\text{C}$		0.5	2	
			$T_{MIN}<T_{AMB}<T_{MAX}$		0.5	3	
DV_{IO}	Input Offset voltage Drift			7		$\mu\text{V}/^{\circ}\text{C}$	
$SVRR$	Supply voltage rejection ratio	$V_{CC}^{+}=5\sim 30\text{V}$	65	100		dB	
I_{SOURCE}	Output current source	$V_{CC}=+15\text{V}$, $V_O=2\text{V}$, $V_{ID}=+1\text{V}$	20	40		mA	
I_{SHORT}	Short circuit to Ground	$V_{CC}=+15\text{V}$		40	60	mA	
I_{SINK}	Output current Sink	$V_{CC}=+15\text{V}$, $V_O=2\text{V}$, $V_{ID}=-1\text{V}$	10	20		mA	
I_{IR}	Input bias current	Negative input		20		nA	
V_{OH}	High Level output voltage	$T_{AMB}=25^{\circ}\text{C}$, $R_L=10\text{K}$ $V_{CC}^{+}=30\text{V}$, $T_{MIN}<T_{AMB}<T_{MAX}$	27	28		V	
V_{OL}	Low Level output voltage	$R_L=10\text{K}$ $T_{MIN}<T_{AMB}<T_{MAX}$		5	20	mV	
A_{VD}	Large signal voltage gain	$V_{CC}=+15\text{V}$, $V_O=1.4\sim 11.4\text{V}$, $R_L=2\text{K}$, $T_{MIN}<T_{AMB}<T_{MAX}$		100		V/mV	
SR	Slew rate at unity gain	$V_I=0.5\sim 3\text{V}$, $V_{CC}=15\text{V}$, $R_L=2\text{K}$, $C_L=100\text{pF}$, unity gain	0.3	0.5		$\text{V}/\mu\text{s}$	
GBP	Gain bandwidth product	$V_{CC}=30\text{V}$, $R_L=2\text{K}$, $C_L=100\text{pF}$ $f = 100\text{KHz}$, $V_{IN}=10\text{mV}$	0.5	0.9		MHz	
THD	Total Harmonic Distortion	$V_{CC}=30\text{V}$, $R_L=2\text{K}$, $C_L=100\text{pF}$ $f = 1\text{KHz}$, $V_O=2\text{V}_{P-P}$, $A_V=20\text{dB}$		0.02		%	

Voltage reference

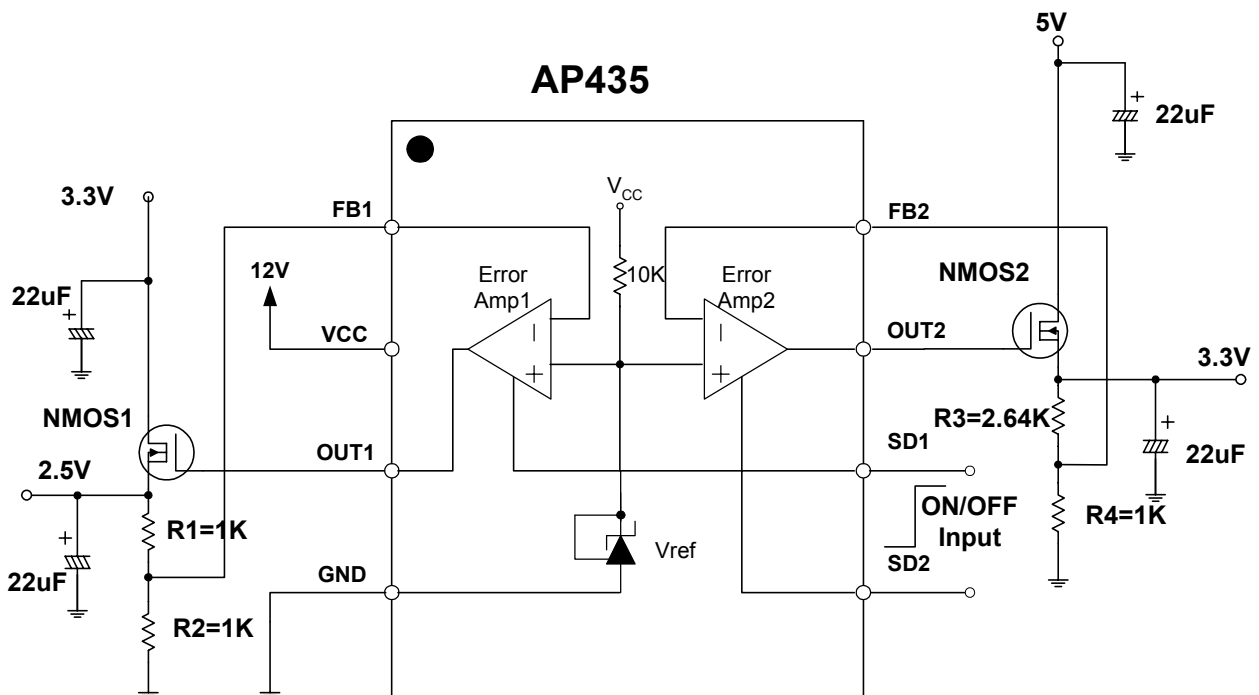
Symbol	Parameter	Conditions	Min.	Typ.	Max.	Unit	
V_{REF}	Reference input voltage	AP435	$T_{AMB}=25^{\circ}C$	1.237	1.25	1.263	V
			$T_{MIN}<T_{AMB}<T_{MAX}$	1.225		1.275	
		AP435L	$T_{AMB}=25^{\circ}C$	1.245		1.255	
			$T_{MIN}<T_{AMB}<T_{MAX}$	1.237		1.263	
ΔV_{REF}	Reference input voltage deviation over Temperature range	$V_{KA}=V_{REF}, I_K=10mA$ $T_{MIN}<T_{AMB}<T_{MAX}$		3.0	20	mV	
I_{MIN}	Minimum cathode current for regulation	$V_{KA}=V_{REF}$		0.15	0.3	mA	
I_K	Cathode Current			0.2	1	mA	
$ Z_{KA} $	Dynamic impedance (note1)	$V_{KA}=V_{REF}$ $\Delta I_K=1\sim 100mA, f=0$		0.2	0.5	Ω	

Note 1 : The dynamic impedance is defined as $|Z_{KA}| = \Delta V_{KA} / \Delta I_K$

Shutdown control

Symbol	Parameter	Conditions	Min.	Typ.	Max.	Unit
V_{SDL}	Threshold voltage	Active mode			0.2	V
V_{SDH}		Shutdown mode	0.8			V
I_{SD}	Current in shutdown mode					μA

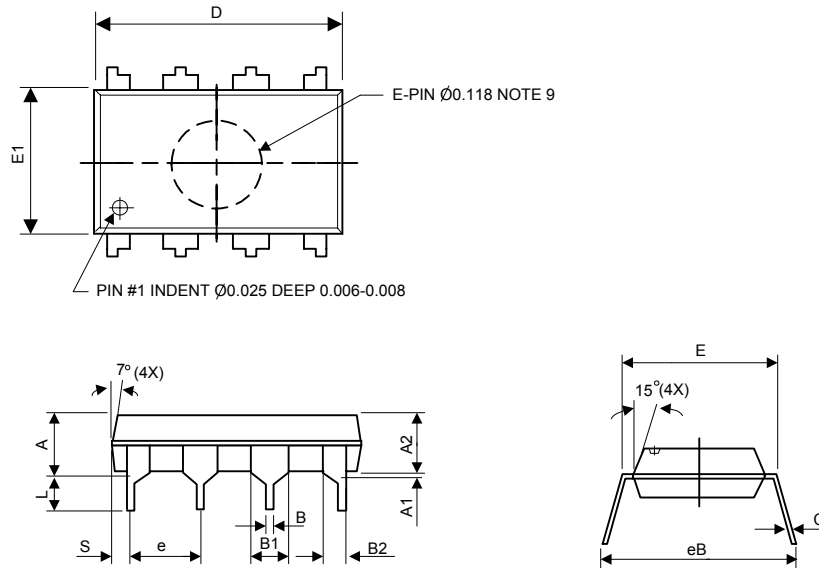
■ Typical Application Circuit



Dual Linear Controller With Shutdown

■ Package Outline

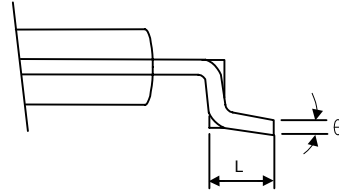
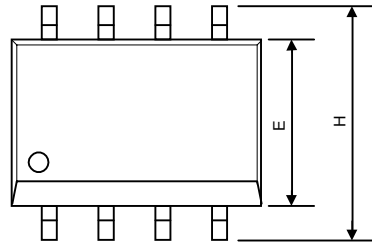
(1) Plastic Dual-in-line Package:PDIP-8L



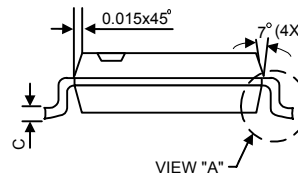
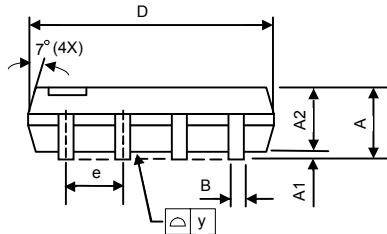
Symbols	Dimensions in millimeters			Dimensions in inches		
	Min.	Nom.	Max.	Min.	Nom.	Max.
A	–	–	5.33	–	–	0.210
A1	0.38	–	–	0.015	–	–
A2	3.1	3.30	3.5	0.122	0.130	0.138
B	0.36	0.46	0.56	0.014	0.018	0.022
B1	1.4	1.52	1.65	0.055	0.060	0.065
B2	0.81	0.99	1.14	0.032	0.039	0.045
C	0.20	0.25	0.36	0.008	0.010	0.014
D	9.02	9.27	9.53	0.355	0.365	0.375
E	7.62	7.94	8.26	0.300	0.313	0.325
E1	6.15	6.35	6.55	0.242	0.250	0.258
e	–	2.54	–	–	0.100	–
L	2.92	3.3	3.81	0.115	0.130	0.150
eB	8.38	8.89	9.40	0.330	0.350	0.370
S	0.71	0.84	0.97	0.028	0.033	0.038

Dual Linear Controller With Shutdown

(2) JEDEC Small Outline Package :SOP-8L



VIEW "A"



VIEW "A"

Symbols	Dimensions in millimeters			Dimensions in inches		
	MIN	NOM	MAX	MIN	NOM	MAX
A	1.40	1.60	1.75	0.055	0.063	0.069
A1	0.10	–	0.25	0.040	–	0.100
A2	1.30	1.45	1.50	0.051	0.057	0.059
B	0.33	0.41	0.51	0.013	0.016	0.020
C	0.19	0.20	0.25	0.0075	0.008	0.010
D	4.80	4.85	5.05	0.189	0.191	0.199
E	3.80	3.91	4.00	0.150	0.154	0.157
e	–	1.27	–	–	0.050	–
H	5.79	5.99	6.20	0.228	0.236	0.244
L	0.38	0.71	1.27	0.015	0.028	0.050
y	–	–	0.10	–	–	0.004
θ	0°	–	8°	0°	–	8°