

T1/E1 Slim Line Hybrids for PMC Sierra

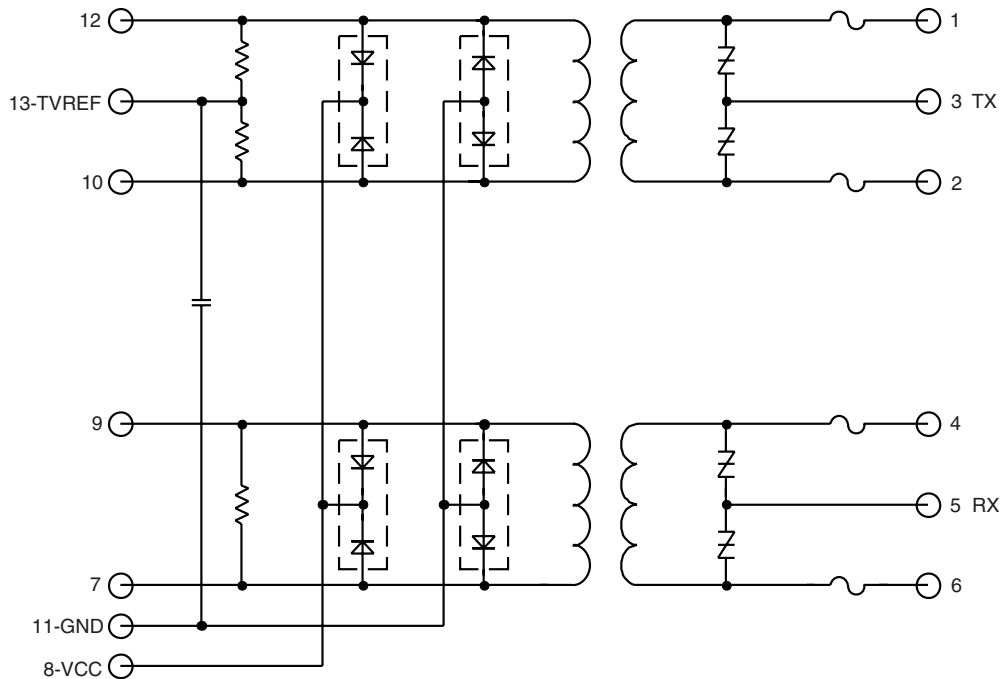
APC822xx

FEATURES

- Supports PMC Sierra single and quad chipsets for T1/E1 applications including PM4351 and PM4354
- Minimum board space requirement, ideal for multiple interface line cards
- Telcordia Technologies GR1089 compliant
- Approved to BSEN60950, basic insulation @ 250Vrms working voltage
- Designed to minimize board space requirements for line interface circuitry on the T1/E1 multichannel line cards
- Analog receive interface is configurable to operate both E1 and T1 short haul and long haul applications

SCHEMATIC

APC822xx

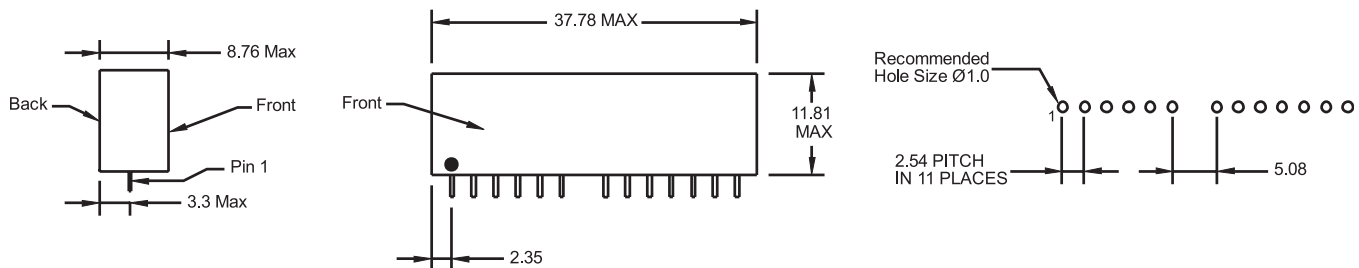


T1/E1 Slim Line Hybrids for PMC Sierra APC822xx

Part Number	PMC Sierra Chipset	Application	Voltage	Protection	R x T/R	T x T/R
82217	PM4351 / 4354	T1/E1 (Z0 = 100/120 ohm)	3.3V	Longitudinal	2.42	2.42
82218	PM4351 / 4354	E1 (Z0 = 75 ohm)	3.3V	Longitudinal	2.42	2.42
82219	PM4351 / 4354	T1/E1 (Z0 = 100/120 ohm)	3.3V	Metallic	2.42	2.42
82220	PM4351 / 4354	E1 (Z0 = 75 ohm)	3.3V	Metallic	2.42	2.42

MECHANICAL

APC822xx



NOTES: DIMENSIONS MM UNLESS OTHERWISE SPECIFIED
ALL TOLERANCES +/- 0.010
0.25

©2003 Bel Fuse Inc. Specifications subject to change without notice. 08.20.03

CORPORATE

Bel Fuse Inc.
206 Van Vorst Street
Jersey City, NJ 07302
Tel 201-432-0463
Fax 201-432-9542
www.belfuse.com

FAR EAST

Bel Fuse Ltd.
8F / 8 Luk Hop Street
San Po Kong
Kowloon, Hong Kong
Tel 852-2328-5515
Fax 852-2352-3706
www.belfuse.com

EUROPE

Bel Stewart Connector
45/46 Riverside
Medway City Estate
Rochester, Kent ME2 4DP U.K.
Tel 44-1634-722890
Fax 44-1634-716677
www.belfuse.com