

# PCMCIA Hybrid

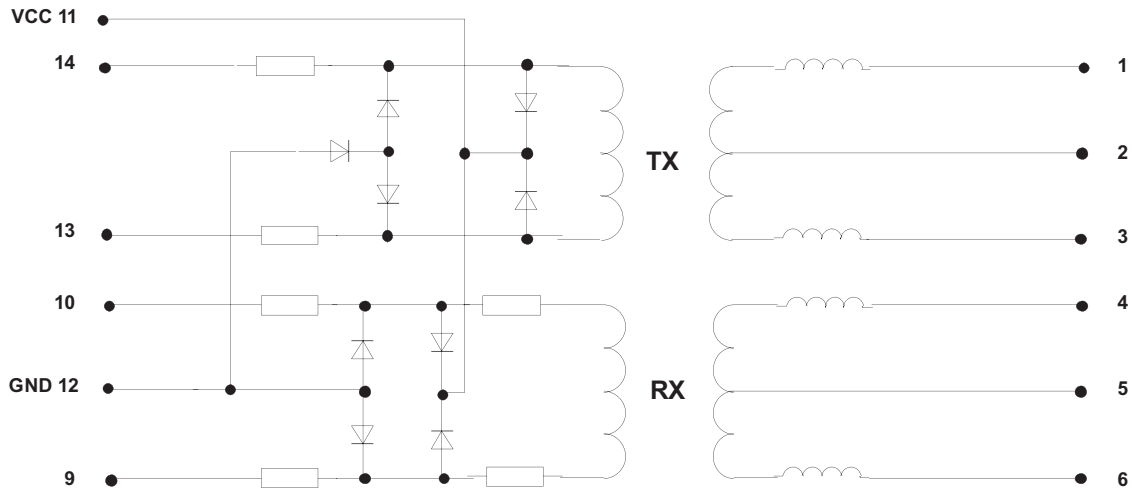
## APC8403

### ELECTRICAL SPECIFICATIONS @ 25°C OPERATING TEMPERATURE 0°C TO 70°C

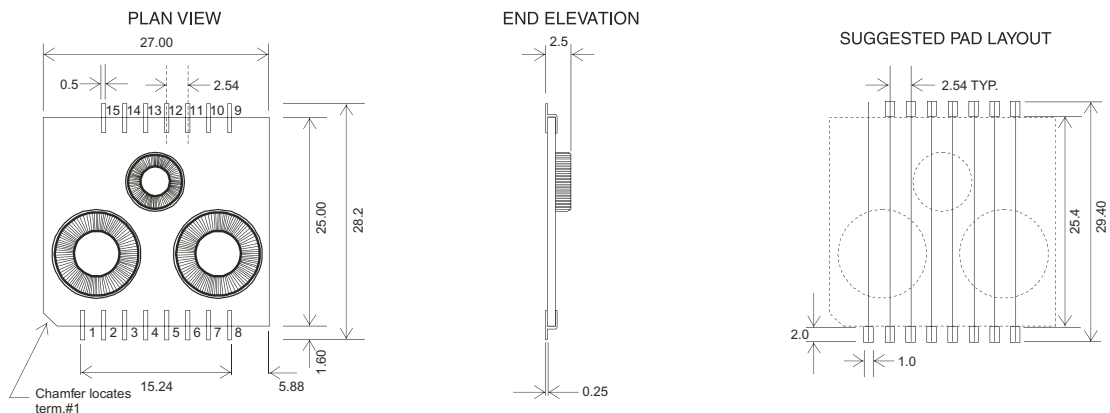
Turns Ratio +/- 5%	Primary Inductance mH min	Leakage Inductance uH max	Primary DCR OHMS +/- 20%	Secondary DCR OHMS +/- 20%	Choke	
					Inductance per line mH nom	DCR per line OHMS
1CT:1	22	10	1.00	1.00	0.04	0.5

NOTES: ISOLATION PRI:SEC 1500VRMS  
DESIGNED FOR USE WITH INFINEON PEB3086, PEB3186, PEB3081

### SCHEMATIC



### MECHANICAL



NOTES: NOT TO SCALE  
TOLERANCE +/- 0.2MM  
ALL DIMENSIONS IN MM